



Fall Protection

<b>CE</b>		<b>EN795:2012 Type B</b>
<b>CE Type Test</b> No. 2777 Satra Technology Europe Ltd Bracetown Business Park Clonee, Dublin D15 YN2P Ireland	<b>CE Product Quality Control</b> No. 2797 BSI The Netherlands B.V. Say Building John M. Keynesplein 9 1066 EP Amsterdam Netherlands	
ANSI Z359.18 Type A	OSHA1926.502	OSHA1910.140

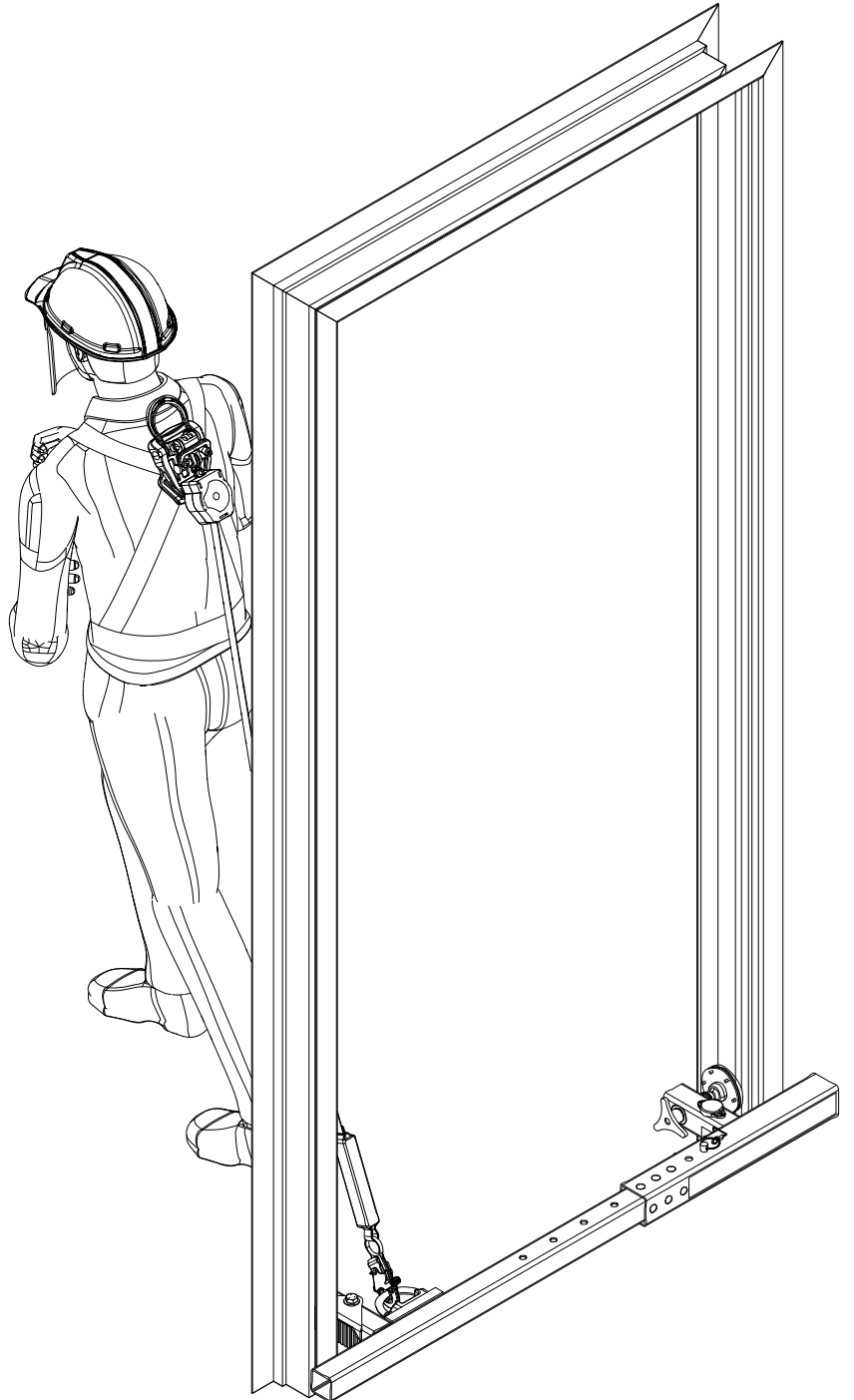
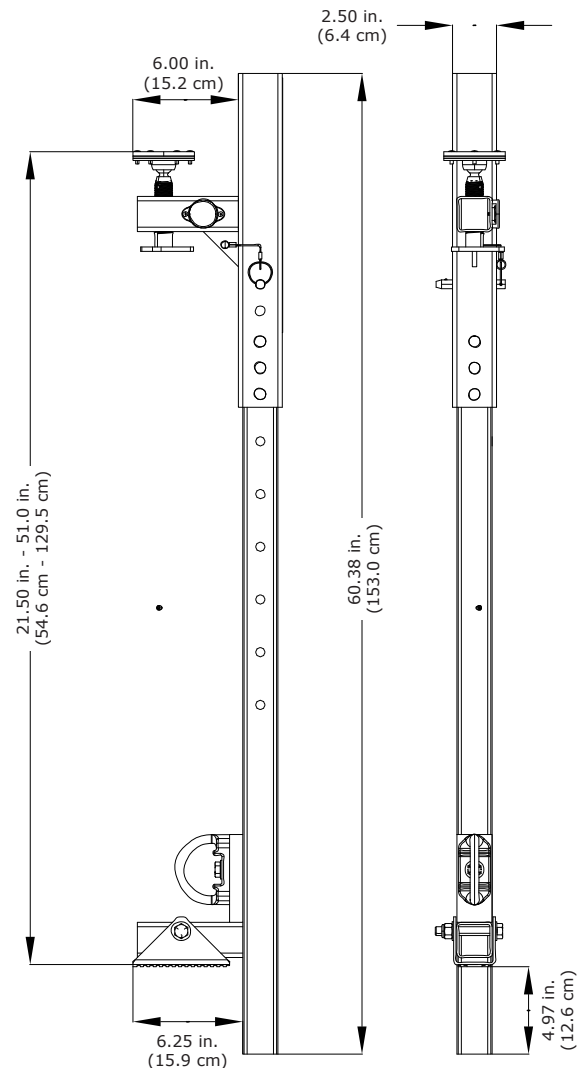
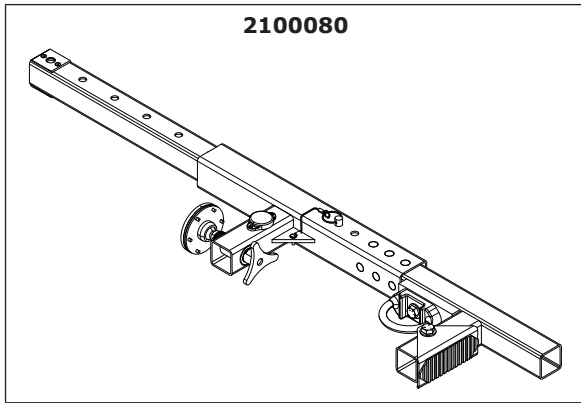
# DOOR JAMB ANCHOR

## Anchorage Connector

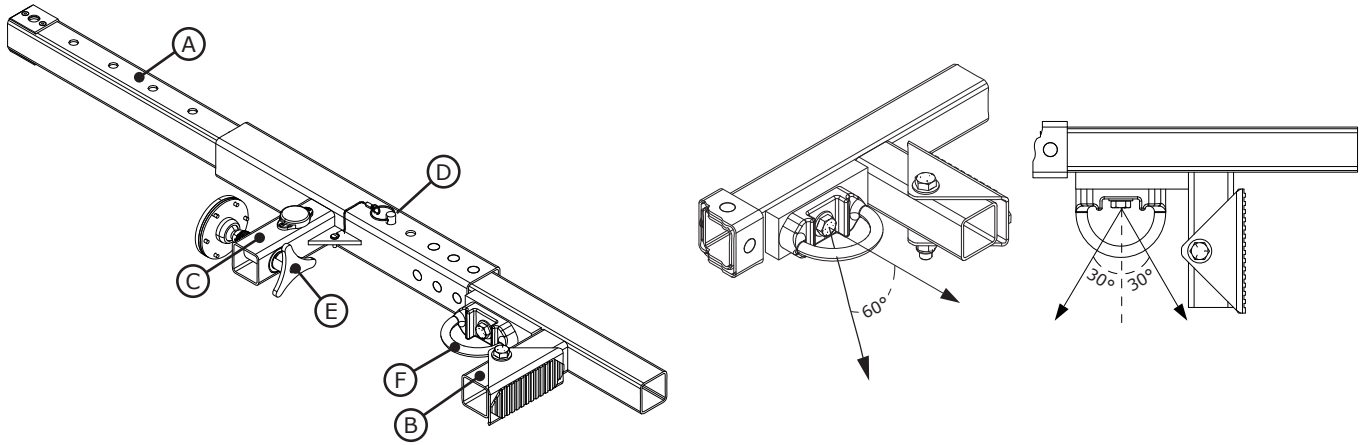
# USER INSTRUCTION MANUAL

## 5902273 REV. G

**1**

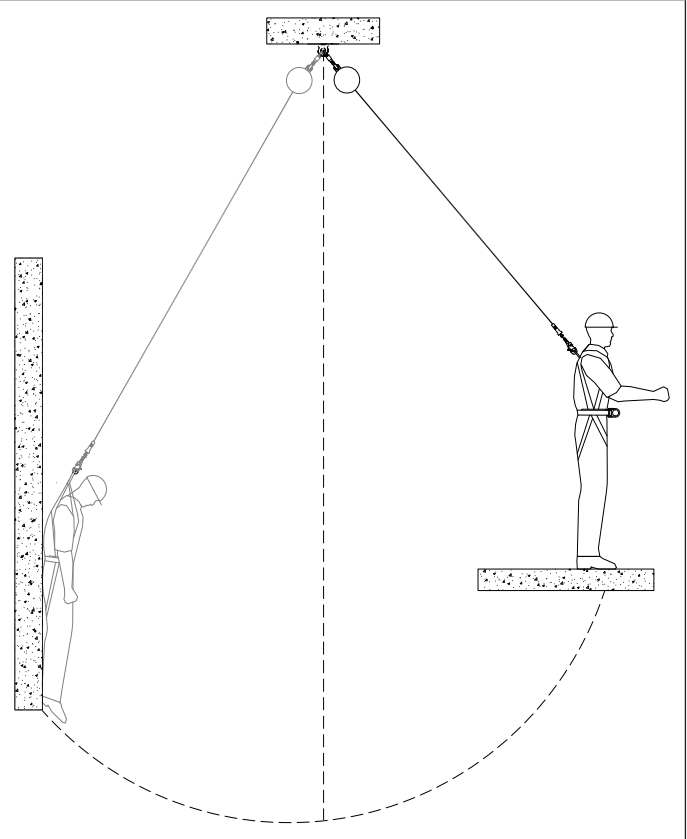
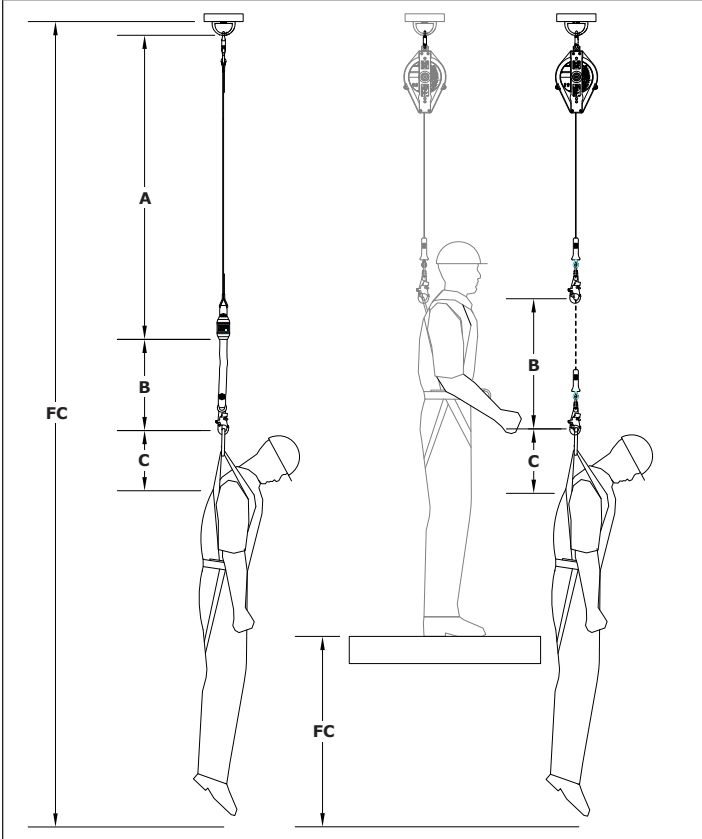


2



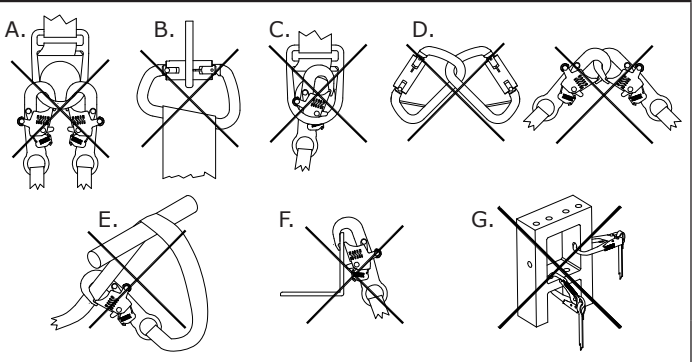
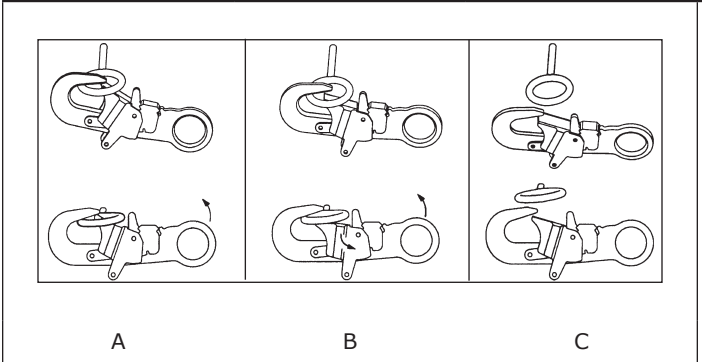
3

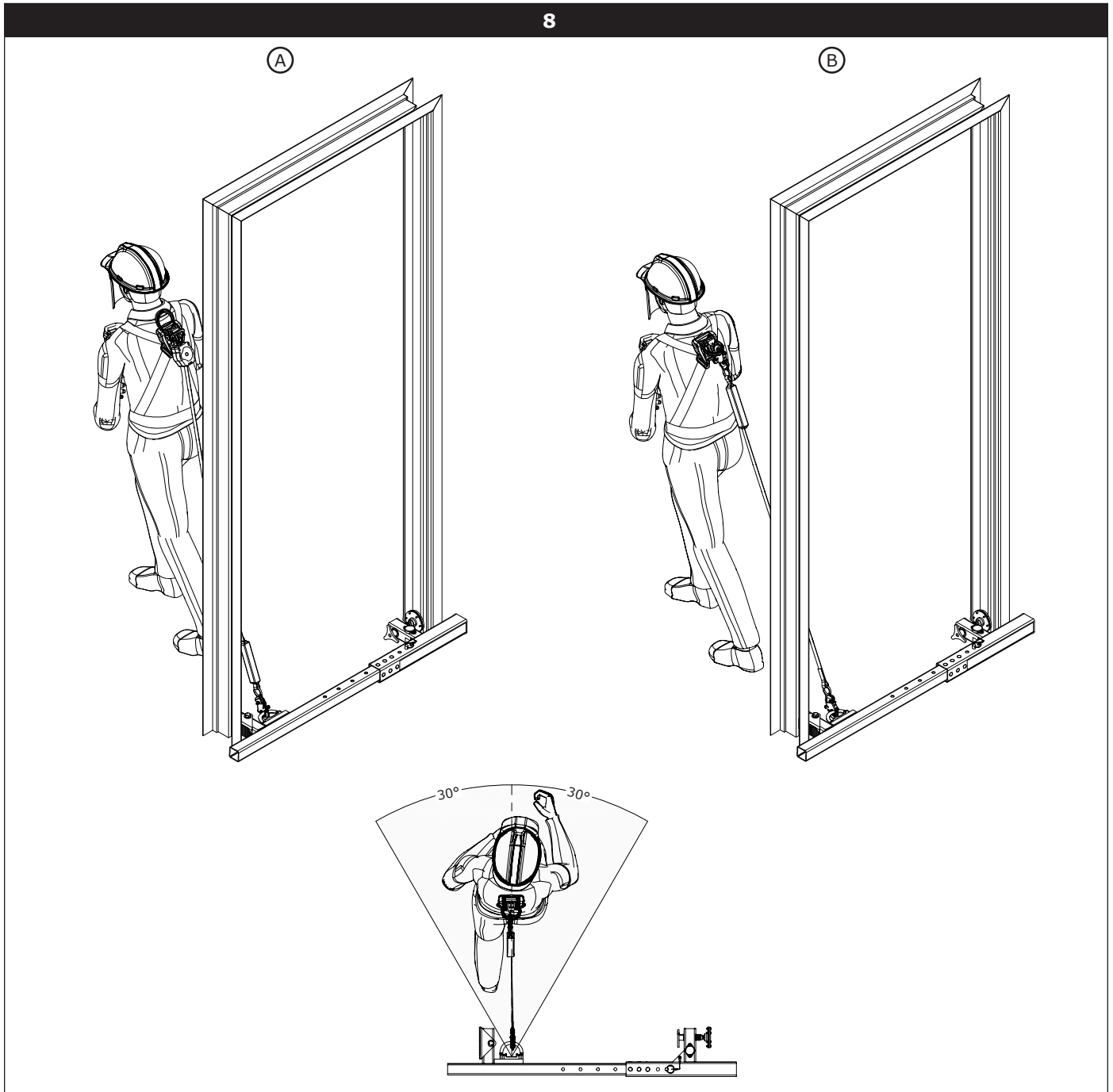
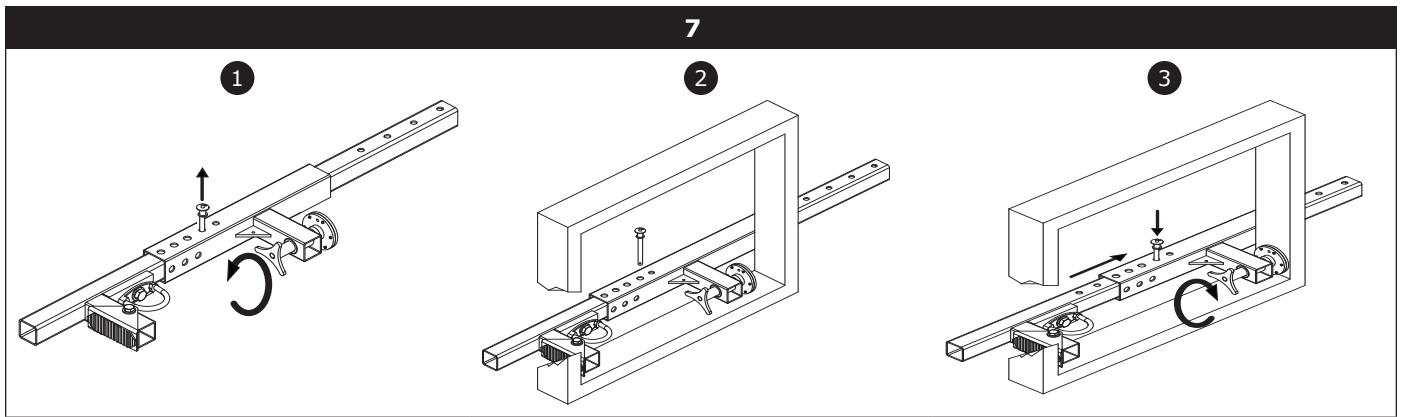
4

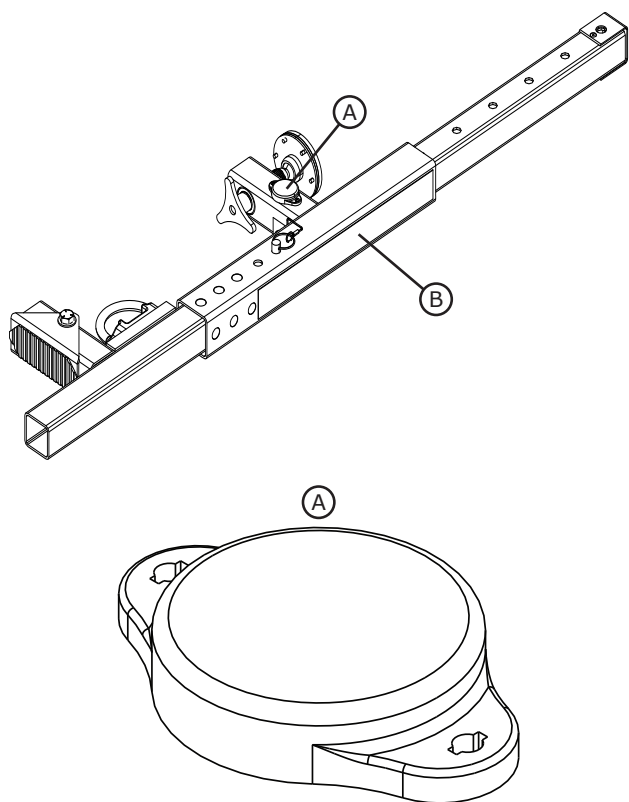


5

6







**WINDOW / DOOR JAMB ANCHOR**  
**MODEL NO: 2100080**

**3M** **SILA**  
 3M.com/FallProtection  
 Red Wing, MN 55066, USA

MFRD (MFG): LOT:

**SPECIFICATIONS:**  
 Capacity: 1 Person (MGS 300 lb / 136 kg) max. (50 lb / 22.7 kg) in ice.  
 Material: Aluminum alloy for the pulley body, steel D-ring.  
 Minimum Breaking Strength: 5,078 lbs (2290 kg)  
 Minimum Working Strength: 4,062 lbs (1843 kg)  
 Minimum Service Temp: -40F (-40C)  
 Maximum Service Temp: 250F (121C)  
 Minimum Storage Temp: -40F (-40C)  
 Maximum Storage Temp: 250F (121C)  
 Minimum Humidity: 5%  
 Maximum Humidity: 95%  
 Minimum UV Radiation: 0.001250 W/m<sup>2</sup>  
 Maximum UV Radiation: 0.001250 W/m<sup>2</sup>  
 Minimum Wind Speed: 0 mph (0 km/h)  
 Maximum Wind Speed: 0 mph (0 km/h)  
 Minimum Ice Thickness: 0 in (0 mm)  
 Maximum Ice Thickness: 0 in (0 mm)  
 Minimum Snow Load: 0 psf (0 kg/m<sup>2</sup>)  
 Maximum Snow Load: 0 psf (0 kg/m<sup>2</sup>)  
 Minimum Shock: 0 g  
 Maximum Shock: 0 g  
 Minimum Vibration: 0 g  
 Maximum Vibration: 0 g  
 Minimum Seismic: 0 g  
 Maximum Seismic: 0 g

**WARNING**  
 This is a **WARNING** JAMB ANCHOR. It is designed to be installed at the bottom of the window or door jamb. It is not to be used in any other location. Always use the JAMB ANCHOR in accordance with the instructions. Do not use the JAMB ANCHOR in any location where it is not designed to be used. Use only compatible hardware. Do not use the JAMB ANCHOR in any location where it is not designed to be used. Use only compatible hardware. Do not use the JAMB ANCHOR in any location where it is not designed to be used. Use only compatible hardware.

**ALLOWABLE LOADING DIRECTIONS**

**HORIZONTAL PLANE**  
 21.5 in. - 510 in.  
 545 cm - 129.5 cm

**VERTICAL PLANE**  
 30° OK  
 60° OK

**INSPECTION LOG**

DATE	INITIALS

823465 Rev. 04

## SAFETY INFORMATION

EN

**Please read, understand, and follow all safety information contained in these instructions prior to the use of this Anchorage Connector. FAILURE TO DO SO COULD RESULT IN SERIOUS INJURY OR DEATH.**

**These instructions must be provided to the user of this equipment. Retain these instructions for future reference.**

### Intended Use:

This Anchorage Connector is intended for use as part of a complete personal fall protection system.

Use in any other application including, but not limited to, material handling, recreational or sports related activities, or other activities not described in the User Instructions, is not approved by 3M and could result in serious injury or death.

This device is only to be used by trained users in workplace applications.

### WARNING

This Anchorage Connector is part of a personal fall protection system. It is expected that all users be fully trained in the safe installation and operation of their personal fall protection system. **Misuse of this device could result in serious injury or death.** For proper selection, operation, installation, maintenance, and service, refer to these User Instructions and all manufacturer recommendations, see your supervisor, or contact 3M Technical Service.

- **To reduce the risks associated with working with an Anchorage Connector which, if not avoided, could result in serious injury or death:**
  - Inspect the device before each use, at least annually, and after any fall event. Inspect in accordance with the User Instructions.
  - If inspection reveals an unsafe or defective condition, remove the device from service and repair or replace according to the User Instructions.
  - Any device that has been subject to fall arrest or impact force must be immediately removed from service and destroyed.
  - The device must only be installed in the specified substrates or on structures detailed in the User Instructions. Installations and use outside the scope of this instruction must be approved by 3M Fall Protection.
  - The substrate or structure to which the anchorage connector is attached must be able to sustain the static loads specified for the anchor in the orientations permitted in the User Instructions.
  - Only connect other fall protection subsystems to the designated anchorage connection point on the device.
  - Prior to drilling or fastening, ensure no electric lines, gas lines, or other critical embedded systems will be contacted by the drill or the device.
  - Ensure that fall protection systems/subsystems assembled from components made by different manufacturers are compatible and meet the requirements of applicable standards, including the ANSI Z359 or other applicable fall protection codes, standards, or requirements. Always consult a Competent or Qualified Person before using these systems.
- **To reduce the risks associated with working at height which, if not avoided, could result in serious injury or death:**
  - Ensure your health and physical condition allow you to safely withstand all of the forces associated with working at height. Consult with your doctor if you have any questions regarding your ability to use this equipment.
  - Never exceed allowable capacity of your fall protection equipment.
  - Never exceed maximum free fall distance of your fall protection equipment.
  - Do not use any fall protection equipment that fails pre-use or other scheduled inspections, or if you have concerns about the use or suitability of the equipment for your application. Contact 3M Technical Services with any questions.
  - Some subsystem and component combinations may interfere with the operation of this equipment. Only use compatible connections. Consult 3M prior to using this equipment in combination with components or subsystems other than those described in the User Instructions.
  - Use extra precautions when working around moving machinery (e.g., top drive of oil rigs) electrical hazards, extreme temperatures, chemical hazards, explosive or toxic gases, sharp edges, or below overhead materials that could fall onto you or your fall protection equipment.
  - Use Arc Flash or Hot Works devices when working in high heat environments.
  - Avoid surfaces and objects that can damage the user or equipment.
  - Ensure there is adequate fall clearance when working at height.
  - Never modify or alter your fall protection equipment. Only 3M or parties authorized, in writing, by 3M may make repairs to the equipment.
  - Prior to use of fall protection equipment, ensure a rescue plan is in place which allows for prompt rescue if a fall incident occurs.
  - If a fall incident occurs, immediately seek medical attention for the worker who has fallen.
  - Do not use a body belt for fall arrest applications. Use only a Full Body Harness.
  - Minimize swing falls by working as directly below the anchorage point as possible.
  - If training with this device, a secondary fall protection system must be utilized in a manner that does not expose the trainee to an unintended fall hazard.
  - Always wear appropriate personal protective equipment when installing, using, or inspecting the device/system.

Prior to installation and use of this equipment, record the product identification information from the ID label in the Inspection and Maintenance Log (Table 2) at the back of this manual.

## PRODUCT DESCRIPTION:

Figure 1 illustrates the 3M™ DBI-SALA™ Door Jamb Anchor. The Door Jamb Anchor is a single-point anchorage connector that installs in a door or window opening.

Figure 2 illustrates components of the Door Jamb Anchor. See Table 1 for specifications. The Door Jamb Anchor is comprised of a Support Tube (A) with a Fixed Leg (B) and Adjustable Leg (C) that slides along the Support Tube to fit the door or window opening. The Adjustable Leg has pin holes and a Pin (D) for coarse adjustment. Once the Adjustable Leg is pinned in place, a Knob with a Screw Foot (E) is tightened to secure the Door Jamb Anchor in the door/window opening. A D-Ring (F) on the Support Tube serves as the connection point for a Lanyard or Self-Retracting Device (SRD).

**Table 1 – Specifications**

System Specifications:			
<b>Capacity:</b>	<b>ANSI/CE:</b> 1 Person with a combined weight (clothing, tools, etc.) of no more than 310 lbs (140 kg). <b>OSHA:</b> 1 Person with a combined weight (clothing, tools, etc.) of no more than 420 lbs (190 kg)		
<b>Anchorage Strength:</b>	<b>ANSI/OSHA</b>	<b>Fall Arrest:</b> The structure to which the Anchorage Connector is attached must sustain static loads applied in the directions permitted by the Fall Arrest System of at least: 3,600 lbs (16 kN) with certification of a Qualified Person <sup>1</sup> ; or 5,000 lbs (22 kN) without certification. When more than one Personal Fall Arrest System (PFAS) is attached to an anchorage, these static loads must be multiplied by the number of PFAS attached to the anchorage.	
	<b>CE EN795</b>	<b>Anchorage Structure:</b> The structure to which the Anchorage Connector is mounted must be capable of sustaining force in the anticipated direction(s) of loading. Each Anchorage Point location must be capable of sustaining 2,698 lbs (12 kN) loads.	
<div style="border: 1px solid black; padding: 5px;"> <input checked="" type="checkbox"/> <b>OSHA 1926.500 and OSHA 1910.66:</b> Anchorages used for attachment to a Personal Fall Arrest System (PFAS) must be independent of any anchorage used to suspend or support platforms and must support 5,000 lbs (22 kN) per user attached, or be designed, installed, and used as part of a complete PFAS which maintains a Safety Factor of a least 2 and is supervised by a Qualified Person<sup>2</sup>.         </div>			
<b>Service Temperature:</b>	-40°C (-40° F)		
<b>Anchorage Connector Breaking Strength</b>	22 kN (5,000 lbs) Minimum Breaking Strength		
<b>Door/Window Jamb Width:</b>	See Figure 1: Minimum Width: 21.5 in. (54.6 cm), Maximum Width: 51.0 in. (129.5 cm)		
<b>Product Dimensions:</b>	See Figure 1		
<b>Product Weight:</b>	14.0 lbs (6.3 kg)		
Component Specifications:			
Figure 2 Reference	Component	Materials	Notes
(A)	Support Tube	Aluminum	
(B)	Fixed Leg	Tube - Aluminum Foot - Steel Pad - Rubber	
(C)	Adjustable Leg	Aluminum	
(D)	Coarse Adjustment Pin	Steel	
(E)	Fine Adjustment Knob	Knob - Steel Screw - Steel Foot - Steel Pad - Rubber	
(F)	D-Ring	Alloy Steel	Tensile Strength - 5,000 lbs (22.2 kN)

**1 Qualified Person:** An individual with a recognized degree or professional certificate, and extensive experience in Fall Protection. This individual must be capable of design, analysis, evaluation, and specification in Fall Protection.

## 1.0 PRODUCT APPLICATION

- 1.1 PURPOSE:** Anchorage Connectors are designed to provide anchorage connection points for Fall Arrest<sup>1</sup> or Fall Restraint<sup>2</sup> systems: Restraint, Work Positioning, Personnel Riding, Rescue, etc.

**Fall Protection Only:** This Anchorage Connector is for connection of Fall Protection Equipment. Do not connect Lifting Equipment to this Anchorage Connector.

- 1.2 STANDARDS:** Your Anchorage Connector conforms to the national or regional standard(s) identified on the front cover of these instructions. If this product is resold outside the original country of destination, the re-seller must provide these instructions in the language of the country in which the product will be used.
- 1.3 SUPERVISION:** Installation of this equipment must be supervised by a Qualified Person<sup>3</sup>. Use of this equipment must be supervised by a Competent Person<sup>4</sup>.
- 1.4 TRAINING:** This equipment must be installed and used by persons trained in its correct application. This manual is to be used as part of an employee training program as required by CE. It is the responsibility of the users and installers of this equipment to ensure they are familiar with these instructions, trained in the correct care and use of this equipment, and are aware of the operating characteristics, application limitations, and consequences of improper use of this equipment.
- 1.5 RESCUE PLAN:** When using this equipment and connecting subsystem(s), the employer must have a rescue plan and the means at hand to implement and communicate that plan to users, authorized persons<sup>5</sup>, and rescuers<sup>6</sup>. A trained, on-site rescue team is recommended. Team members should be provided with the equipment and techniques to perform a successful rescue. Training should be provided on a periodic basis to ensure rescuer proficiency.
- 1.6 INSPECTION FREQUENCY:** The Anchorage Connector shall be inspected by the user before each use and, additionally, by a competent person other than the user at intervals of no longer than one year.<sup>7</sup> Inspection procedures are described in the "Inspection and Maintenance Log". Results of each Competent Person inspection should be recorded on copies of the "Inspection and Maintenance Log".
- 1.7 AFTER A FALL:** If the Anchorage Connector is subjected to the forces of arresting a fall, it must be removed from service immediately and destroyed.

## 2.0 SYSTEM REQUIREMENTS

- 2.1 ANCHORAGE:** Anchorage requirements vary with the fall protection application. Structure on which the Anchorage Connector is placed or mounted must meet the Anchorage specifications defined in Table 1.
- 2.2 PERSONAL FALL ARREST SYSTEM:** Figure 1 illustrates the application of this Anchorage Connector. Personal Fall Arrest Systems (PFAS) used with the system must meet applicable Fall Protection standards, codes, and requirements. Refer to the instructions included with your Lanyard or Self-Retracting Device for Free Fall limitations. The PFAS must incorporate a Full Body Harness and limit Maximum Arresting Force (MAF) to the following values:

	ANSI/OSHA	CE
PFAS with Shock Absorbing Lanyard	900 lb (4 kN)	1,350 lbs (6 kN)
PFAS with Self Retracting Device	900 lb (4 kN)	1,350 lbs (6 kN)

- 2.3 FALL PATH AND SRD LOCKING SPEED:** A clear path is required to assure positive locking of an SRD. Situations which do not allow for an unobstructed fall path should be avoided. Working in confined or cramped spaces may not allow the body to reach sufficient speed to cause the SRD to lock if a fall occurs. Working on slowly shifting material, such as sand or grain, may not allow enough speed buildup to cause the SRD to lock.
- 2.4 HAZARDS:** Use of this equipment in areas with environmental hazards may require additional precautions to prevent injury to the user or damage to the equipment. Hazards may include, but are not limited to: heat, chemicals, corrosive environments, high voltage power lines, explosive or toxic gases, moving machinery, sharp edges, or overhead materials that may fall and contact the user or Personal Fall Arrest System.
- 2.5 FALL CLEARANCE:** Figure 3 illustrates the components of a Fall Arrest. There must be sufficient Fall Clearance (FC) to arrest a fall before the user strikes the ground or other obstruction. Clearance is affected by a number of factors including: Anchorage Location, (A) Lanyard Length, (B) Lanyard Deceleration Distance or SRD Maximum Arrest Distance, (C) Harness Stretch and D-Ring/Connector Length and Settling (typically a Safety Factor of 1 m). Refer to the instructions included with your Fall Arrest subsystem for specifics regarding Fall Clearance calculation.
- 2.6 SWING FALLS:** Swing Falls occur when the anchorage point is not directly above the point where a fall occurs (see Figure 4). The force of striking an object in a swing fall may cause serious injury or death. Minimize swing falls by working as directly below the anchorage point as possible. Do not permit a swing fall if injury could occur. Swing falls will significantly increase the clearance required when a Self-Retracting Device or other variable length connecting subsystem is used.

**1 Fall Arrest System:** A collection of Fall Protection Equipment configured to arrest a free fall.

**2 Fall Restraint System:** A collection of Fall Protection Equipment configured to prevent the person's center of gravity from reaching a fall hazard.

**3 Qualified Person:** An individual with a recognized degree or professional certificate, and extensive experience in Fall Protection. This individual must be capable of design, analysis, evaluation, and specification in Fall Protection.

**4 Competent Person:** One who is capable of identifying existing and predictable hazards in the surroundings or working conditions which are unsanitary, hazardous, or dangerous to employees, and who has authorization to take prompt corrective measures to eliminate them.

**5 Authorized Person:** For purposes of the Z359 standards, a person assigned by the employer to perform duties at a location where the person will be exposed to a fall hazard.

**6 Rescuer:** Person or persons other than the rescue subject acting to perform an assisted rescue by operation of a rescue system.

**7 Inspection Frequency:** Extreme working conditions (harsh environments, prolonged use, etc.) may require increasing the frequency of competent person inspections.

- 2.7 COMPONENT COMPATIBILITY:** 3M equipment is designed for use with 3M approved components and subsystems only. Substitutions or replacements made with non-approved components or subsystems may jeopardize compatibility of equipment and may affect the safety and reliability of the complete system.
- 2.8 CONNECTOR COMPATIBILITY:** Connectors are considered to be compatible with connecting elements when they have been designed to work together in such a way that their sizes and shapes do not cause their gate mechanisms to inadvertently open regardless of how they become oriented. Contact 3M if you have any questions about compatibility. Connectors (hooks, carabiners, and D-rings) must be capable of supporting at least 5,000 lbs. (22.2 kN). Connectors must be compatible with the anchorage or other system components. Do not use equipment that is not compatible. Non-compatible connectors may unintentionally disengage (see Figure 5). Connectors must be compatible in size, shape, and strength. If the connecting element to which a snap hook or carabiner attaches is undersized or irregular in shape, a situation could occur where the connecting element applies a force to the gate of the snap hook or carabiner (A). This force may cause the gate to open (B), allowing the snap hook or carabiner to disengage from the connecting point (C).

Self-locking snap hooks and carabiners are required by ANSI Z359 and OSHA.

- 2.9 MAKING CONNECTIONS:** Snap hooks and carabiners used with this equipment must be self-locking. Ensure all connections are compatible in size, shape and strength. Do not use equipment that is not compatible. Ensure all connectors are fully closed and locked.
- 3M connectors (snap hooks and carabiners) are designed to be used only as specified in each product's user's instructions. See Figure 6 for examples of inappropriate connections. Do not connect snap hooks and carabiners:
- A. To a D-ring to which another connector is attached.
  - B. In a manner that would result in a load on the gate. Large throat snap hooks should not be connected to standard size D-rings or similar objects which will result in a load on the gate if the hook or D-ring twists or rotates, unless the snap hook complies is equipped with a 3,600 lb (16 kN) gate. Check the marking on your snap hook to verify that it is appropriate for your application.
  - C. In a false engagement, where features that protrude from the snap hook or carabiner catch on the anchor, and without visual confirmation seems to be fully engaged to the anchor point.
  - D. To each other.
  - E. Directly to webbing or rope lanyard or tie-back (unless the manufacturer's instructions for both the lanyard and connector specifically allows such a connection).
  - F. To any object which is shaped or dimensioned such that the snap hook or carabiner will not close and lock, or that roll-out could occur.
  - G. In a manner that does not allow the connector to align properly while under load.



### 3.0 INSTALLATION

*For a certified anchor point, the structure to which the Anchorage Connector is attached must be designed or evaluated by a Qualified Person<sup>1</sup>. A non-certified anchor point may be approved by a Competent Person<sup>2</sup> (see Table 1).*

**3.1 PLANNING:** Plan the fall protection system prior to installation of the Door Jamb Anchor. Account for all factors that may affect user safety before, during and after a fall. Consider all requirements, limitations and specifications defined in Section 2 and Table 1.

**3.2 INSTALLING THE DOOR JAMB ANCHOR:** The Door Jamb Anchor can be installed in any door or window jamb of the allowable Minimum Width and Maximum Widths meeting the specified Anchorage requirements (see Table 1). Figure 7 illustrates installation of the Door Jamb Anchor. To install the Door Jamb Anchor:

1. Adjust the Door Jamb Anchor to fit inside the desired opening by removing the coarse adjustment pin and sliding the adjustable leg toward the D-ring. Rotate the fine adjustment knob counterclockwise until the foot is tight against the support tube.
2. Place the Door Jamb Anchor in the door or window opening with the D-ring facing the area where work will be performed. The adjustable leg may be located either on the left or right side of the opening. The Door Jamb Anchor must rest on the bottom of the window or door opening. Do not attempt to install the Door Jamb Anchor in a position where it is not supported by the floor or window sill.
3. Slide the adjustable leg as close to the door or window jamb as possible and insert the coarse adjustment pin in the closest set of adjustment holes. Secure the anchor snugly in the doorway or window by tightening the fine adjustment Knob. The Door Jamb Anchor must be solid and secure after installation.

### 4.0 USE

**4.1 BEFORE EACH USE:** Verify that your work area and Personal Fall Arrest System (PFAS) meet all criteria defined in Section 2 and a formal Rescue Plan is in place. Inspect the Door Jamb Anchor per the 'User' inspection points defined on the "Inspection and Maintenance Log" (Table 2). If inspection reveals an unsafe or defective condition, do not use the system. Remove the system from service and destroy, or contact 3M regarding replacement or repair.

**4.2 FALL ARREST CONNECTIONS:** The Door Jamb Anchor is used with a Full Body Harness and Energy Absorbing Lanyard or Self-Retracting Device (SRD). Figure 8 illustrates connection of the Lanyard (A) or SRD (B) between the Harness and Door Jamb Anchor. Connect the Lanyard or SRD between the D-Ring on the Door Jamb Anchor and the back Dorsal D-Ring on the Harness as instructed in the instructions included with the Lanyard or SRD.

*Safe Work Area: Figure 8 illustrates the Safe Work Area for the Door Jamb Anchor. Never work at a horizontal angle greater than 30° from perpendicular to the face of the Door Jamb Anchor to avoid improper loading of the Anchorage Connection Point (see Figure 2). Never work at a position above or below the Anchorage Connection Points that exceeds the vertical load requirements illustrated in Figure 2.*

### 5.0 INSPECTION

**5.1 INSPECTION FREQUENCY:** The Door Jamb Anchor must be inspected at the intervals defined in Section 1. Inspection procedures are described in the "Inspection and Maintenance Log" (Table 2). Inspect all other components of the Fall Protection System per the frequencies and procedures defined in the manufacturer's instructions.

*RFID Tag: Door Jamb Anchors are equipped with a Radio Frequency Identification (RFID) Tag. The RFID Tag can be used in conjunction with a Handheld Reading Device to simplify inspection and inventory control and provide records for your fall protection equipment.*

**5.2 DEFECTS:** If inspection reveals an unsafe or defective condition, remove the Door Jamb Anchor from service immediately and contact 3M regarding replacement or repair. Do not attempt to repair the Fall Arrest System.

*Authorized Repairs Only: Only 3M or parties authorized in writing may make repairs to this equipment.*

**5.3 PRODUCT LIFE:** The functional life of the Fall Arrest System is determined by work conditions and maintenance. As long as the product passes inspection criteria, it may remain in service.

### 6.0 MAINTENANCE, SERVICING, STORAGE

**6.1 CLEANING:** Periodically clean the Door Jamb Anchor metal components with a soft brush, warm water, and a mild soap solution. Ensure parts are thoroughly rinsed with clean water.

**6.2 SERVICE:** Only 3M or parties authorized in writing by 3M may make repairs to this equipment. If the Door Jamb Anchor has been subject to fall force or inspection reveals an unsafe or defective conditions, remove the system from service and contact 3M regarding replacement or repair.

**6.3 STORAGE AND TRANSPORT:** When not in use, store and transport the Door Jamb Anchor and associated fall protection equipment in a cool, dry, clean environment out of direct sunlight. Avoid areas where chemical vapors may exist. Thoroughly inspect components after extended storage.

**1 Qualified Person:** An individual with a recognized degree or professional certificate, and extensive experience in Fall Protection. This individual must be capable of design, analysis, evaluation, and specification in Fall Protection.

**2 Competent Person:** One who is capable of identifying existing and predictable hazards in the surroundings or working conditions which are unsanitary, hazardous, or dangerous to employees, and who has authorization to take prompt corrective measures to eliminate them.

## 7.0 LABELS

Figure 9 Illustrates labels on the Door Jamb Anchor. Labels must be replaced if they are not fully legible. Information provided on each label is as follows:


	Read all instructions.
①	<p><b>SPECIFICATIONS:</b> Capacity: 1 Person, ANSI 310 lbs (140 kg) max, OSHA 420 lbs (190 kg) max.  Maximum arresting force 1,800 lbs  Materials: Aluminum anchor; Zinc plated alloy steel D-ring  Standards: Meets ANSI Z359.18 Type A and OSHA 1926.502 &amp; 1910.140  Minimum Breaking Strength: 5,000 lbs (22kN) MBS  ANSI Minimum Service Temp. -40F (-40C)</p>
②	<p><b>USE:</b> See User Manual for details on making connections. Do not allow lifeline to abrade against sharp edges during use. Use caution when using this equipment near hazardous thermal, electrical, or chemical sources. Refer to User Manual for additional information.</p>
③	<p><b>INSPECTION:</b> Inspect anchor before each use. At least monthly, anchor should be inspected by a competent person in accordance with the User Manual. Do not use if inspection reveals an unsafe or defective condition. Not user repairable.</p> <p>This product is RFID enabled and contains an electronic tag that can be read by compatible readers - providing inspection and other safety information.</p>
④	<p><b>ALLOWABLE LOADING DIRECTIONS:</b> Never work at a horizontal angle greater than 30° from perpendicular to the face of the Door Jamb Anchor to avoid improper loading of the Anchorage Connection Point. Never work at a position above or below the Anchorage Connection Points that exceeds the vertical load requirements.</p>
⑤	<p>This door/window jamb must be installed at the bottom of the window or door Opening, resting on the sill. If the anchor is not resting on the sill it may rotate. When loaded, allowing the anchor to come free of the window or door opening. Failure to follow this warning may result in serious injury or death.</p>
⑥	CE Standard and Notified Body ID
⑦	Year/Month Manufactured and Lot Number
⑧	<p>Manufacturer's instructions must be read and understood prior to use. Instructions supplied with this product at time of shipment must be followed for proper use, maintenance and inspection. Alteration or misuse of this product, or failure to follow instructions could result in serious injury or death. Make only compatible connections. See user manual.</p>
⑨	Product Model Number
⑩	Manufacturer's Location
⑪	One Person Maximum
⑫	Usage Temperature Range: -40°C to 60°C
⑬	Inspection Log: Date, Initials

Table 2 – Inspection and Maintenance Log			
Inspection Date:		Inspected By:	
Components:	Inspection: <small>(See Section 1 for Inspection Frequency)</small>	User	Competent Person <sup>1</sup>
Door Jamb Anchor (Figure 2)	Inspect the Door Jamb Anchor for damage: Look for cracks, dents, or deformities. Look for bending or wear on the support tube, D-ring, and adjustment mechanisms. Ensure no parts are loose or missing.	<input type="checkbox"/>	<input type="checkbox"/>
	Inspect the adjustment mechanisms. The coarse adjustment pin must lock when inserted through any of the adjustment holes.	<input type="checkbox"/>	<input type="checkbox"/>
	Inspect entire unit for excessive corrosion. Inspect the torque on the fine adjustment screw and tighten if necessary.	<input type="checkbox"/>	<input type="checkbox"/>
Labels (Figure 10)	Verify that all labels are securely attached and are legible (see 'Labels')	<input type="checkbox"/>	<input type="checkbox"/>
Anchor Structure	Inspect the door frame, window, and/or structure to make sure it is all load bearing and meets the strength requirements from Table 1.	<input type="checkbox"/>	<input type="checkbox"/>
PFAS and Other Equipment	Additional Personal Fall Arrest System (PFAS) equipment (harness, SRL, etc) being used with the Flexiguard Anchorage System should be installed and inspected per the manufacturer's instructions.	<input type="checkbox"/>	<input type="checkbox"/>
<b>Serial Number(s):</b>		<b>Date Purchased:</b>	
<b>Model Number:</b>		<b>Date of First Use:</b>	
<b>Corrective Action/Maintenance:</b>		Approved By:	
		Date:	
<b>Corrective Action/Maintenance:</b>		Approved By:	
		Date:	
<b>Corrective Action/Maintenance:</b>		Approved By:	
		Date:	
<b>Corrective Action/Maintenance:</b>		Approved By:	
		Date:	
<b>Corrective Action/Maintenance:</b>		Approved By:	
		Date:	
<b>Corrective Action/Maintenance:</b>		Approved By:	
		Date:	
<b>Corrective Action/Maintenance:</b>		Approved By:	
		Date:	
<b>Corrective Action/Maintenance:</b>		Approved By:	
		Date:	
<b>Corrective Action/Maintenance:</b>		Approved By:	
		Date:	
<b>Corrective Action/Maintenance:</b>		Approved By:	
		Date:	
<b>Corrective Action/Maintenance:</b>		Approved By:	
		Date:	

**1 Competent Person:** One who is capable of identifying existing and predictable hazards in the surroundings or working conditions which are unsanitary, hazardous, or dangerous to employees, and who has authorization to take prompt corrective measures to eliminate them.

## BEZPEČNOSTNÍ INFORMACE

Před zahájením používání této kotevní spojky si prosím přečtěte, pochopte a dodržujte veškeré bezpečnostní informace obsažené v této příručce. V OPACNÉM PŘÍPADĚ MŮŽE DOJÍT K VÁŽNÉMU ÚRAZU ČI ÚMRTÍ.

Tyto pokyny je nutno předat uživateli tohoto zařízení. Tyto pokyny si uschovejte k budoucímu nahlédnutí.

### Zamýšlené použití:

Tato kotevní spojka se má používat jako součást kompletního systému pro ochranu osob proti pádu.

Jiné použití, mimo jiné včetně manipulace s materiálem, rekreačních činností nebo činností souvisejících se sportem nebo jiných činností, které nejsou popsány v uživatelské příručce, není schváleno společností 3M a může mít za následek vážný úraz či úmrtí.

Toto zařízení mohou používat pouze vyškolení uživatelé na pracovišti.

## VAROVÁNÍ

Tato kotevní spojka tvoří součást systému pro ochranu osob proti pádu. Očekává se, že všichni uživatelé budou řádně zaškoleni ohledně bezpečné instalace a používání svého systému pro ochranu osob proti pádu. **Nesprávné použití tohoto zařízení může mít za následek vážný úraz či úmrtí.** Pro správný výběr, provoz, instalaci, údržbu a servis nahlédněte do této uživatelské příručky a všech doporučení výrobce, obraťte se na svého nadřízeného nebo kontaktujte technický servis 3M.

- **Pro snížení rizik spojených s prací s kotevní spojkou, která mohou mít, pokud jim nezabráníte, za následek vážný úraz či úmrtí:**
  - Všechny součásti záchranného prostředku zkontrolujte před každým použitím (alespoň jednou ročně) a po každém pádu. Při kontrole postupujte podle uživatelské příručky.
  - Pokud kontrola odhalí nebezpečný nebo závadný stav, vyřadte zařízení z činnosti a opravte nebo vyměňte podle pokynů v uživatelské příručce.
  - Zařízení, které bylo vystaveno jištění proti pádu nebo síle způsobené pádem, musí být okamžitě vyřazeno z provozu a zlikvidováno.
  - Zařízení musí být připevněno ke specifikovanému podkladu nebo strukturám, které jsou podrobně popsány v pokynech pro uživatele. Instalaci a používání mimo rozsah pokynů musí schválit útvar 3M Fall Protection.
  - Podklad nebo konstrukce, k nimž je připevněna kotevní spojka, musí být schopny odolat statickému zatížení specifikovanému pro ukotvení ve směrech povolených v pokynech pro uživatele.
  - Ostatní subsystémy pro ochranu proti pádu připojujte pouze k vyhrazenému bodu ukotvení na zařízení.
  - Před vrtáním nebo připevňováním se ujistěte, že se vrtačka ani zařízení nemohou dostat do kontaktu s elektrickým vedením, plynovým potrubím nebo jinými důležitými vestavěnými systémy.
  - Zajistěte, aby systémy/subsystémy pro ochranu proti pádu sestavené ze součástí vyrobených různými výrobci, byly kompatibilní a splňovaly požadavky platných norem, včetně ANSI Z359 nebo jiných platných předpisů, norem nebo požadavků týkajících se ochrany proti pádu. Před použitím těchto systémů se vždy poradte s kompetentní nebo oprávněnou osobou.
- **Aby se snížila rizika související s prací ve výškách, která mohou mít, pokud jim nezabráníte, za následek vážný úraz či úmrtí:**
  - Ujistěte se, že vám váš zdravotní stav a fyzická kondice umožňují bezpečně vydržet veškerou námahu spojenou s prací ve výškách. Pokud máte nějaké dotazy týkající se vaší schopnosti používat toto zařízení, poradte se se svým lékařem.
  - Nikdy nepřekračujte přípustnou kapacitu vašeho záchytného zařízení.
  - Nikdy nepřekračujte maximální délku volného pádu vašeho záchytného zařízení.
  - Nepoužívejte záchytná zařízení, která neprojdou kontrolou před použitím nebo jinou naplánovanou kontrolou, nebo pokud máte obavy ohledně vhodnosti zařízení pro vaše použití. S případnými dotazy kontaktujte technický servis společnosti 3M.
  - Některé kombinace subsystémů a součástí mohou narušovat provoz tohoto zařízení. Používejte pouze kompatibilní připojení. Pokud chcete toto vybavení používat v kombinaci s jinými součástmi nebo subsystémy, než které jsou popsány v této příručce, obraťte se na společnost 3M.
  - Buďte zvláště opatrní při práci u pohybujících se strojů (např. horní pohon vrtných plošin), v prostředí s nebezpečím úrazu elektrickým proudem, s extrémními teplotami, chemickým nebezpečím, výbušnými nebo toxickými plyny, ostrými hranami nebo pod stropními materiály, které by mohly spadnout na vás nebo vaše záchytné zařízení.
  - Při práci v prostředí s vysokými teplotami použijte zařízení proti obloukovému výboji nebo pro práci za horka.
  - Vyhněte se povrchům a předmětům, které mohou poranit uživatele nebo poškodit zařízení.
  - Při práci ve výškách zajistěte, aby pod vámi byla dostatečná hloubka umožňující bezpečné zachycení v případě pádu.
  - Nikdy své záchytné zařízení neupravujte ani neměňte. Opravy tohoto zařízení může provádět pouze společnost 3M nebo třetí strany s písemným oprávněním společnosti 3M.
  - Před použitím záchytného zařízení se ujistěte, že je zaveden záchranný plán, který umožňuje rychlou záchranu, pokud dojde k pádu.
  - Pokud dojde k pádu, okamžitě vyhledejte pracovníkovi, který spadl, lékařskou pomoc.
  - Pro jištění proti pádu nepoužívejte pás na tělo. Používejte pouze celotělový postroj.
  - Minimalizujte riziko výkyvu při pádu tím, že budete pracovat co nejbližší kotevnímu bodu.
  - Při školení ohledně tohoto zařízení se musí používat sekundární systém zajištění proti pádu, a to takovým způsobem, který školeného pracovníka nevystaví nežádoucímu nebezpečí pádu.
  - Při instalaci, používání nebo kontrole zařízení/systému vždy noste vhodné osobní ochranné pomůcky.

Před instalací a použitím tohoto vybavení zapište výrobní identifikační údaje z identifikačního štítku do Deníku kontrol a údržby (tabulka 2) na zadní straně tohoto návodu.

### POPIS PRODUKTU:

Na obrázku 1 je kotva do dveřní zárubně 3M™ DBI-SALA™. Kotva do dveřní zárubně je jednobodová kotevní spojka určená k montáži do dveřního či okenního otvoru.

Na obrázku 2 jsou uvedeny součásti kotvy do dveřní zárubně. Specifikace naleznete v tabulce 1. Kotva do dveřní zárubně se skládá z nosné trubky (A) s pevnou vzpěrou (B) a nastavitelnou vzpěrou (C), která se posouvá podél podpěrné trubky a umožňuje přizpůsobení dveřnímu či okennímu otvoru. Nastavitelná vzpěra obsahuje otvory pro čepy a čep (D) pro hrubé nastavení. Jakmile je nastavitelná vzpěra zajištěna čepem, zajistí se kotva do dveřní zárubně ve dveřním/okenním otvoru utažením kolečka se šroubovací patkou (E). Úchyt ve tvaru D (F) na nosné trubce slouží jako bod pro napojení bezpečnostního lana či samonavíjecího zařízení.

**Tabulka 1 – Technické údaje**

Technické údaje systému:			
<b>Nosnost:</b>	<b>ANSI/CE:</b> 1 osoba s celkovou hmotností (včetně oblečení, nástrojů atd.) do 140 kg (310 liber). <b>OSHA:</b> 1 osoba s celkovou hmotností (včetně oblečení, nástrojů atd.) do 190 kg (420 liber).		
<b>Síla kotvicího systému:</b>	<b>ANSI/OSHA</b>	<b>Jištění proti pádu:</b> Konstrukce, ke které je tato kotevní spojka připevněna, musí odolat statickému zatížení ve směrech, které dovoluje systém zachycení pádu osob, nejméně: 16 kN (3 600 liber) s certifikací kvalifikované osoby <sup>2</sup> ; nebo 22 kN (5 000 liber) bez certifikace. Pokud je k ukotvení připevněn více než jeden systém zachycení pádu osob (PFAS), je toto statické zatížení nutné znásobit počtem PFAS připevněných k danému ukotvení.	
		<input checked="" type="checkbox"/> <b>OSHA 1926.500 a OSHA 1910.66:</b> Kotvení použité pro připojení k systému zachycení pádu osob (PFAS) musí být nezávislé na jakémkoli jiném kotvení použitém ke spouštění či podpírání plošin a musí podporovat 22 kN (5 000 liber) na připojeného uživatele. Případně musí být navrženo, namontováno a používáno jako součást kompletního systému PFAS, který bude udržovat bezpečnostní faktor minimálně 2 a bude na něj dohlížet kvalifikovaná osoba <sup>2</sup> .	
	<b>CE EN795</b>	<b>Přidržovací systém:</b> Konstrukce, ke které je tato kotevní spojka připevněna, musí odolat statickému zatížení ve směrech, které dovoluje přidržovací systém, nejméně: 13 kN (3 000 lbs). Pokud je k ukotvení připevněn více než jeden přidržovací systém, je statické zatížení nutné znásobit počtem přidržovacích systémů připevněných k danému ukotvení.	
		<b>Konstrukce ukotvení:</b> Konstrukce, ke které je kotevní spojka namontovaná, musí být schopna odolat silám v zamýšlených směrech zatížení. Každé místo kotevního bodu musí být schopno odolat zátěži 12 kN (2 698 liber).	
<b>Provozní teplota:</b>	-40 °C (-40 ° F)		
<b>Pevnost kotevní spojky v tahu</b>	Minimální pevnost v tahu 22 kN (5 000 liber)		
<b>Šířka dveřní okenní zárubně:</b>	Viz obrázek 1: Minimální šířka: 54,6 cm (21,5 palce), Maximální šířka: 129,5 cm (51 palců)		
<b>Rozměry výrobku:</b>	Viz obrázek 1		
<b>Hmotnost produktu:</b>	6,3 kg (14 liber)		
Technické parametry součástí:			
Reference k obrázku 2	Součást	Materiály	Poznámky
Ⓐ	Nosná trubka	Hliník	
Ⓑ	Pevná vzpěra	Trubka – hliník Patka – ocel Podložka – guma	
Ⓒ	Nastavitelná vzpěra	Hliník	
Ⓓ	Čep pro hrubé nastavení	Ocel	
Ⓔ	Kolečko pro jemné nastavení	Kolečko – ocel Šroub – ocel Patka – ocel Podložka – guma	
Ⓕ	Úchyt ve tvaru D	Legovaná ocel	Pevnost v tahu – 22,2 kN (5 000 liber)

**1 Oprávněná osoba:** Jednotlivce s uznávaným titulem nebo profesním osvědčením a rozsáhlými znalostmi v oblasti ochrany proti pádu. Tato osoba musí být schopna provést návrh, analýzu, hodnocení a specifikaci v oblasti ochrany proti pádu.

## 1.0 POUŽITÍ VÝROBKU

- 1.1 ÚČEL:** Kotevní spojky jsou navrženy tak, aby poskytovaly kotvící propojovací body pro systémy jištění proti pádu<sup>1</sup> nebo přidržovací<sup>2</sup> systémy: Přidržovací systém, polohování při práci, přeprava zaměstnanců, záchrana atd.

**Pouze ochrana proti pádu:** Tato kotevní spojka slouží k připojení vybavení pro ochranu proti pádu. K této kotevní spojce nepřipojujte zdvihací vybavení.

- 1.2 NORMY:** Tato kotevní spojka vyhovuje národním a regionálním normám uvedeným na přední straně obálky této příručky. Pokud bude tento produkt prodáván mimo původní cílovou zemi, pak prodejce musí tuto příručku poskytnout v jazykové verzi země, ve které se bude produkt používat.
- 1.3 DOHLED:** Instalace tohoto zařízení musí být provedena pod dohledem oprávněné osoby<sup>3</sup>. Používání tohoto zařízení musí probíhat pod dohledem kompetentní osoby<sup>4</sup>.
- 1.4 ŠKOLENÍ:** Toto zařízení musí být instalováno a používáno osobami, které byly vyškoleny pro jeho správné používání. Tato příručka je určena k použití jako součást školicího programu pro zaměstnance dle požadavků CE. Uživatelé a montážní technici jsou odpovědní za zajištění toho, že budou obeznámeni s těmito pokyny, vyškoleni ve správné údržbě a používání tohoto zařízení a budou znát provozní vlastnosti, omezení pro použití a následky nesprávného používání tohoto zařízení.
- 1.6 ZÁCHRANNÝ PLÁN:** Při používání tohoto zařízení a připojených subsystémů musí mít zaměstnavatel k dispozici záchranný plán a prostředky pro jeho realizaci a musí s ním seznámit uživatele, oprávněné osoby<sup>5</sup> a záchranáře<sup>6</sup>. Doporučuje se využití vyškoleného záchranného týmu na pracovišti. Členové týmu musí mít k dispozici vybavení a techniky k provedení úspěšné záchrany. Aby byla zajištěna odbornost záchranářů, musí být školení prováděno v pravidelných intervalech.
- 1.6 ČETNOST KONTROL:** Kotevní spojku musí před každým použitím zkontrolovat uživatel a kromě toho kompetentní osoba jiná než uživatel, a to v minimálně jednou ročně.<sup>7</sup> Kontrolní postupy jsou popsány v části „Deník kontrol a údržby“. Výsledky všech kontrol prováděných kompetentní osobou musí být zaznamenávány v kopiích „Deníku kontrol a údržby“.
- 1.7 PO PÁDU:** Pokud je kotevní spojka vystavena silám působícím při zachycení pádu, musí být okamžitě vyřazena a zničena.

## 2.0 POŽADAVKY NA SYSTÉM

- 2.1 KOTVENÍ:** Požadavky na kotvení se liší podle příslušného použití ochrany proti pádu. Konstrukce, na které je kotevní spojka umístěna nebo k níž je připevněna, musí splňovat specifikace kotvení definované v tabulce 1.
- 2.2 OSOBNÍ SYSTÉM JIŠTĚNÍ PROTI PÁDU:** Obrázek 1 znázorňuje použití této kotevní spojky. Systémy zachycení pádu osob (PFAS) používané s tímto systémem musí splňovat platné normy, předpisy a požadavky na ochranu proti pádu. Omezení ohledně volného pádu najdete v pokynech přiložených k bezpečnostnímu lanu nebo samonavíjecímu zařízení. PFAS musí využívat celotělový postroj a musí omezovat maximální záchytnou sílu (Maximum Arresting Force, MAF) na následující hodnoty:

	ANSI/OSHA	CE
PFAS s lanem absorbujícím náraz	4 kN (900 liber)	6 kN (1 350 liber)
PFAS se samonavíjecím zařízením	4 kN (900 liber)	6 kN (1 350 liber)

- 2.3 DRÁHA PÁDU A RYCHLOST ZABLOKOVÁNÍ SAMONAVÍJECÍHO ZAŘÍZENÍ:** Spolehlivé zablokování samonavíjecího zařízení vyžaduje volnou dráhu. Je třeba předcházet situacím, které by neumožňovaly dráhu pádu bez překážek. Práce v malých nebo stísněných prostorech nemusí dovolit, aby tělo v případě pádu dosáhlo dostatečné rychlosti potřebné k zablokování samonavíjecího zařízení. Práce na pomalu se přesunujících materiálech, jakými jsou písek nebo zrnité látky, nemusí vyvolat dostatečnou rychlost potřebnou k zablokování samonavíjecího zařízení.
- 2.4 RIZIKA:** Používání tohoto vybavení v nebezpečném prostředí si možná vyžádá další předběžná opatření, aby nedošlo k úrazu uživatele nebo poškození vybavení. Rizika mohou mj. zahrnovat: tepelné zatížení, žíravé chemikálie, korozivní prostředí, vedení vysokého napětí, výbušné nebo jedovaté plyny, pohybující se části strojů, ostré hrany nebo zavěšené předměty, které mohou spadnout a zasáhnout uživatele nebo osobní systém jištění proti pádu.
- 2.10 DÉLKA PÁDU:** Obrázek 3 znázorňuje součásti jištění proti pádu. K jištění proti pádu musí být k dispozici dostatečná délka pádu, než uživatel narazí do země nebo jiné překážky. Délku pádu ovlivňuje řada faktorů, jako například: Umístění kotvení, (A) délka bezpečnostního lana, (B) zpomalovací vzdálenost bezpečnostního lana nebo maximální délka jištění samonavíjecího zařízení, (C) natažení postroje a délka a usazení úchytu ve tvaru D / spojky (obvykle bezpečnostní faktor 1 m). Konkrétní informace o výpočtu délky pádu naleznete v návodu k subsystému jištění proti pádu.
- 2.6 VÝKYVY PŘI PÁDU:** Pokud není kotvící bod přímo nad místem, kde dojde k pádu, mohou při pádu nastat výkyvy (viz obrázek 4). Síla nárazu po výkyvu při pádu může způsobit těžká nebo smrtelná zranění. Minimalizujte riziko výkyvu při pádu tím, že budete pracovat co nejbližší kotevnímu bodu. Zabraňte riziku výkyvu při pádu, pokud by mohlo dojít k úrazu. Výkyv při pádu výrazně zvyšuje potřebnou délku pádu při použití samonavíjecího zařízení nebo jiného přípojného subsystému s variabilní délkou.

**1 Systém jištění proti pádu:** Sada vybavení pro ochranu proti pádu nakonfigurovaná tak, aby zabraňovala volnému pádu.

**2 Přidržovací systém:** Sada vybavení pro ochranu proti pádu nakonfigurovaná tak, aby se těžiště osoby nedostalo do bodu, kde hrozí nebezpečí pádu.

**3 Oprávněná osoba:** Jednotlivec s uznávaným titulem nebo profesním osvědčením a rozsáhlými znalostmi v oblasti ochrany proti pádu. Tato osoba musí být schopna provést návrh, analýzu, hodnocení a specifikaci v oblasti ochrany proti pádu.

**4 Kompetentní osoba:** Osoba schopná identifikovat existující a předvídatelné nebezpečí v okolním prostředí nebo pracovní podmínky, které jsou pro pracovníky zdravotně závadné, rizikové nebo nebezpečné, a která je pověřena přijímat okamžitá nápravná opatření k jejich odstranění.

**5 Oprávněná osoba:** Pro účely norem Z359 se jedná o osobu pověřenou zaměstnavatelem k vykonávání povinností na místě, kde bude osoba vystavena riziku pádu z výšky.

**6 Záchranář:** Osoba nebo osoby jiné než osoba zachraňovaná vykonávající činnosti asistované záchranné operace pomocí záchranného systému.

**7 Četnost kontrol:** Extrémní pracovní podmínky (nepříznivé prostředí, dlouhodobé používání atd.) si mohou vyžádat častější kontroly kompetentní osobou.

- 2.7 KOMPATIBILITA SOUČÁSTÍ:** Zařízení 3M jsou určena k používání výhradně se součástmi a subsystémy schválenými společností 3M. Záměny a náhrady za použití neschválených prvků a dílčích systémů mohou ohrozit kompatibilitu zařízení a případně též nepříznivě ovlivnit bezpečnost a spolehlivost celého systému.
- 2.8 KOMPATIBILITA SPOJEK:** Spojky jsou považovány za kompatibilní se spojovacími prvky, pokud byly navrženy ke společné funkci tak, aby jejich rozměry a tvary nezpůsobovaly, že se jejich uzavírací ústrojí budou náhodně otevírat bez ohledu na to, jakým směrem jsou orientována. V případě dotazů týkajících se kompatibility se obraťte na společnost 3M. Spojky (háky, karabiny a úchyty tvaru D) musí být schopné odolat zatížení alespoň 22,2 kN (5 000 liber). Spojky musí být kompatibilní s kotvením a dalšími součástmi systému. Nepoužívejte žádná nekompatibilní zařízení. Nekompatibilní spojky se mohou nechtěně rozpojit (viz obrázek 5). Spojky musejí být kompatibilní co do velikosti, tvaru a pevnosti. Pokud je spojovací prvek, na který se přikládá hák s pojistným perem nebo karabina, poddimenzovaný nebo má nesprávný tvar, může nastat situace, kdy spojovací prvek vyvine sílu na uzávěr háku s pojistným perem nebo karabiny (A). Tato síla může způsobit, že se otevře západka (B) a hák s pojistným perem nebo karabina se mohou uvolnit ze spojovacího bodu (C).

Samojistící háky s pojistným perem a karabiny jsou nezbytné dle norem ANSI Z359 a OSHA.

- 2.9 SPOJOVÁNÍ:** Háky s pojistným perem a karabiny používané s tímto zařízením musí být samojistící. Ujistěte se, že jsou všechny spojky kompatibilní velikosti, tvaru a síly. Nepoužívejte žádná nekompatibilní zařízení. Ujistěte se, že jsou všechny spojky zcela uzavřeny a uzamčeny.

Spojky 3M (háky s pojistným perem a karabiny) jsou navrženy pro používání pouze způsobem, který je uveden v uživatelských příručkách k jednotlivým výrobkům. Na obrázku 6 jsou uvedeny příklady chybných připojení. Nepřipojujte háky s pojistným perem a karabiny:

- A. K úchytům ve tvaru D, ke kterým je připojena další spojka.
- B. Způsobem, který by vedl k zatížení zámku. Velké háky s pojistným perem nesmějí být připojeny ke standardním úchytům ve tvaru D nebo k podobným předmětům, pokud daný hák s pojistným perem není vybaven uzávěrem 15 kN (3600 liber), protože tím by při zkroucení nebo otočení úchytu ve tvaru D došlo k zatížení uzávěru. Zkontrolujte označení na svém háku s pojistným perem, zda je vhodný pro vaše použití.
- C. U chybného zapojení, kde se prvky vyčnívající z karabiny zachycují na ukotvení a které bez vizuální kontroly vypadá jako plně připojené ke kotvicímu bodu.
- D. Navzájem mezi sebou.
- E. Přímo na popruh nebo lanovou smyčku se zkracovačem či na zádový úvazek (pokud pokyny výrobce pro lano i pro spojku konkrétně takové spojení nedovolují).
- F. K libovolnému předmětu, který je tvarován nebo dimenzován tak, aby se hák s pojistným perem nebo karabina nemohly uzavřít a zablokovat, nebo aby mohlo dojít k uvolnění.
- G. Způsobem, který neumožňuje správný pohyb spojky při zatížení.

### 3.0 INSTALACE

*U certifikovaných kotvicích bodů musí být struktura, ke které je připojena kotevní spojka, navržena nebo ohodnocena oprávněnou osobou<sup>1</sup>. Necertifikované kotvicí body může schválit kompetentní osoba<sup>2</sup> (viz tabulku 1).*

**3.1 PLÁNOVÁNÍ:** Před instalací kotvy do dveřní zárubně naplánujte systém ochrany proti pádu. Vezměte v úvahu veškeré faktory, které mohou ovlivnit bezpečnost uživatele před pádem, v průběhu pádu a po pádu. Zvažte všechny požadavky, omezení a specifikace uvedené v kapitole 2 a tabulce 1.

**3.2 INSTALACE KOTVY DO DVEŘNÍ ZÁRUBNĚ:** Kotvu do dveřní zárubně lze nainstalovat do jakékoli dveřní či okenní zárubně při dodržení minimální a maximální přípustné šířky dle stanovených požadavků na kotvení (viz tabulku 1). Obrázek 7 znázorňuje instalaci kotvy do dveřní zárubně. Instalace kotvy do dveřní zárubně:

1. Odstraněním čepu pro hrubé nastavení a vysunutím nastavitelné vzpěry směrem k úchytu ve tvaru D upravte kotvu do dveřní zárubně tak, aby se vešla do požadovaného otvoru. Otáčejte kolečkem pro jemné nastavení proti směru hodinových ručiček, dokud patka pevně nedosedne na nosnou trubku.
2. Umístěte kotvu do dveřní zárubně do dveřního nebo okenního otvoru tak, aby byl úchyt ve tvaru D otočen směrem k oblasti, kde se bude pracovat. Nastavitelná vzpěra může být umístěna buď na levé či pravé straně otvoru. Kotva do dveřní zárubně se musí opírat o spodní stranu okenního nebo dveřního otvoru. Nepokoušejte se kotvu do dveřní zárubně instalovat do polohy, kde se neopírá o práh dveří nebo okenní římsu.
3. Vysuňte nastavitelnou vzpěru co nejbližší ke sloupku dveří či okna a zasuňte čep pro hrubé nastavení do nejbližší skupiny nastavovacích otvorů. Kotvu pečlivě zajistěte ve dveřích či okně utažením kolečka pro jemné nastavení. Kotva do dveřní zárubně musí být po instalaci pevná a zabezpečená.

### 4.0 POUŽITÍ

**4.1 PŘED KAŽDÝM POUŽITÍM:** Ověřte, zda vaše pracoviště a systém zachycení pádu osob (PFAS) splňují všechny podmínky stanovené v kapitole 2 a zda existuje formální záchranný plán. Zkontrolujte kotvy do dveřní zárubně podle kontrolních bodů „Uživatel“, které jsou uvedeny v „Deníku kontrol a údržby“ (tabulka 2). Pokud při kontrole zjistíte nebezpečný stav nebo závadu, systém nepoužívejte. Vyřadte systém z provozu a zlikvidujte ho, nebo požádejte společnost 3M o výměnu nebo opravu.

**4.2 PŘIPOJENÍ JIŠTĚNÍ PROTI PÁDU:** Kotva do dveřní zárubně se používá s celotělovým postrojem a s lanem absorbujícím energii nebo se samonavíjecím zařízením. Obrázek 8 znázorňuje propojení bezpečnostního lana (A) nebo samonavíjecího zařízení (B) mezi postrojem a kotvou do dveřní zárubně. Připojte bezpečnostní lano nebo samonavíjecí zařízení mezi úchyt ve tvaru D na kotvě do dveřní zárubně a zádový úchyt ve tvaru D na postroji podle pokynů k bezpečnostnímu lanu nebo samonavíjecímu zařízení.

**Bezpečný pracovní prostor:** Obrázek 8 znázorňuje bezpečný pracovní prostor pro kotvu do dveřní zárubně. Abyste se vyhnuli nevhodnému zatížení kotevní spojky, nikdy nepracujte pod vodorovným úhlem větším než 30° od kolmice k čelu kotvy do dveřní zárubně (viz obrázek 2). Nikdy nepracujte v místě nad nebo pod kotevními spojkami, které převyšuje požadavky na vertikální zatížení zobrazené na obrázku 2.

### 5.0 KONTROLA

**5.1 ČETNOST KONTROL:** Kotvu do dveřní zárubně je nutno kontrolovat v intervalech definovaných v kapitole 1. Kontrolní postupy jsou popsány v „Deníku kontrol a údržby“ (tabulka 2). Zkontrolujte všechny ostatní součásti systému ochrany proti pádu podle intervalů a postupů uvedených v pokynech výrobce.

**Štítek RFID:** Kotvy do dveřních zárubní jsou vybaveny štítkem RFID (Radio Frequency Identification). Štítek RFID lze použít ve spojení s ruční čtečkou a webovým portálem pro zjednodušení kontroly a kontrolní inventury a poskytuje záznamy pro systémy jistění proti pádu.

**5.2 VADY:** Pokud při kontrole zjistíte ohrožení nebo závadu, ihned kotvu do dveřní zárubně přestaňte používat a kontaktujte společnost 3M ohledně výměny nebo opravy. Nepokoušejte se systém ochrany proti pádu opravovat.

**Pouze autorizované opravy:** Opravy tohoto vybavení smí provádět pouze společnost 3M nebo třetí strany s písemným oprávněním.

**5.3 ŽIVOTNOST VÝROBKU:** Funkční životnost systému jistění proti pádu závisí na pracovních podmínkách a údržbě. Výrobek může být v provozu tak dlouho, dokud vyhovuje kontrolním kritériím.

### 6.0 ÚDRŽBA, SERVIS A SKLADOVÁNÍ

**6.1 ČIŠTĚNÍ:** Kovové součásti kotvy do dveřní zárubně pravidelně čistěte měkkým kartáčem, teplou vodou a slabým mýdlovým roztokem. Součásti důkladně opláchněte čistou vodou.

**6.2 SERVIS:** Opravy tohoto zařízení smí provádět pouze společnost 3M nebo třetí strany s písemným oprávněním. Pokud byla kotva do dveřní zárubně vystavena působení pádu nebo je při kontrole zjištěn nebezpečný nebo závadný stav, vyřadte systém z provozu a kontaktujte společnost 3M ohledně výměny nebo opravy.

**6.3 SKLADOVÁNÍ A PŘEPRAVA:** Mimo používání skladujte a převázejte kotvu do dveřní zárubně a související vybavení na

**1 Oprávněná osoba:** Jednotlivec s uznávaným titulem nebo profesním osvědčením a rozsáhlými znalostmi v oblasti ochrany proti pádu. Tato osoba musí být schopna provést návrh, analýzu, hodnocení a specifikaci v oblasti ochrany proti pádu.


**2 Kompetentní osoba:** Osoba schopná identifikovat existující a předvídatelné nebezpečí v okolním prostředí nebo pracovní podmínky, které jsou pro pracovníky zdravotně závadné, rizikové nebo nebezpečné, a která je pověřena přijímat okamžitá nápravná opatření k jejich odstranění.



ochranu proti pádu v chladném, suchém a čistém prostředí mimo dosah přímého slunečního světla. Vyvarujte se uložení v prostorách, kde se mohou vyskytovat chemické výpary. Po delším skladování součásti důkladně překontrolujte.

## 7.0 ŠTÍTKY

Obrázek 9 znázorňuje štítky na kotvě do dveřní zárubně. Pokud štítky nejsou zcela čitelné, je nutné je vyměnit. Na jednotlivých štítcích jsou uvedeny následující informace:

	Přečtěte si veškeré pokyny.
①	TECHNICKÉ ÚDAJE: Nosnost: 1 osoba, ANSI 140 kg (310 liber) max., OSHA 190 kg (420 liber) max. Maximální záchytná síla 8 kN (1 800 liber) Materiály: Hliníková kotva, pozinkovaný úchyt ve tvaru D Standardy: Splňuje ANSI Z359.18 typ A a OSHA 1926.502 a 1910.140 Minimální pevnost v tahu: 22 kN (5 000 liber) MBS ANSI minimální provozní teplota -40 °C (-40 °F)
②	POUŽITÍ: Podrobnosti o propojování naleznete v uživatelské příručce. Nedovolte, aby se záchytná lana při používání odírala o ostré hrany. Při používání tohoto vybavení v blízkosti nebezpečných tepelných, elektrických či chemických zdrojů dbejte zvýšené opatrnosti. Další informace naleznete v uživatelské příručce.
③	PROHLÍDKA: Ukotvení před každým použitím překontrolujte. Alespoň jednou měsíčně by měla ukotvení zkontrolovat kompetentní osoba v souladu s uživatelskou příručkou. Nepoužívejte, pokud kontrola zjistí nebezpečný nebo závadný stav. Uživatel nemůže provádět opravy sám. Tento produkt má aktivovanou funkci RFID a obsahuje elektronický štítek, který lze číst kompatibilními čtečkami – poskytuje informace o kontrolách a další bezpečnostní informace.
④	POKYNY K PŘÍPUSTNÉMU ZATÍŽENÍ: Abyste se vyhnuli nevhodnému zatížení kotevní spojky, nikdy nepracujte pod vodorovným úhlem větším než 30° od kolmice k čelu kotvy do dveřní zárubně. Nikdy nepracujte v místě nad nebo pod kotevními spojkami, které převyšuje požadavky na vertikální zatížení.
⑤	Tato kotva sloupku dveří či okna se musí nainstalovat na spodní část okenního či dveřního otvoru a spočívat na prahu/parapetu. Pokud kotva nebude ležet na prahu či parapetu, může rotovat. Při zatížení se kotva může uvolnit z okenního či dveřního otvoru. Nedodržení tohoto varování může vést k vážnému zranění nebo smrtelnému úrazu.
⑥	Standard CE a ID ohlašovacího úřadu
⑦	Měsíc/rok výroby a číslo výrobní dávky
⑧	Před použitím je nutné přečíst si pokyny výrobce a porozumět jim. Pokyny dodané s tímto produktem v okamžiku dodání je třeba dodržovat v zájmu řádného užívání, údržby a kontrol tohoto výrobku. Neoprávněné změny nebo nesprávné používání tohoto výrobku, popř. nedodržení pokynů mohou mít za následek vážné zranění nebo smrt. Provádějte pouze kompatibilní připojení. Viz uživatelskou příručku.
⑨	Číslo modelu výrobku
⑩	Adresa výrobce
⑪	Maximálně jedna osoba
⑫	Rozsah teplot pro použití: -40 °C až 60 °C
⑬	Záznamy o kontrolách: Datum, iniciály

### Tabulka 2 – Deník kontrol a údržby

Datum kontroly:		Kontrolu provedl(a):		
Součásti:	Kontrola: <i>(Viz Četnost kontrol v kapitole 1)</i>	Uživatel	Oprávněná osoba <sup>1</sup>	
Kotva do dveřní zárubně (obr. 2)	Zkontrolujte, zda není poškozená kotva do dveřní zárubně: Zkontrolujte případné praskliny, promáčkliny nebo jiné deformace. Zkontrolujte případné prohnutí nebo opotřebení nosné trubky, D-kroužku a nastavovacích mechanismů. Zkontrolujte, zda nejsou uvolněné nebo zda nechybí nějaké díly.	<input type="checkbox"/>	<input type="checkbox"/>	
	Zkontrolujte nastavovací mechanismy. Čep pro hrubé nastavení je po zasunutí do seřizovacích otvorů nutné zajistit.	<input type="checkbox"/>	<input type="checkbox"/>	
	Zkontrolujte, zda li není celá jednotka nadměrně zkorodovaná. Zkontrolujte utahovací moment šroubu pro jemné nastavení a v případě potřeby jej dotáhněte.	<input type="checkbox"/>	<input type="checkbox"/>	
Štítky (obr. 10)	Ověřte, zda jsou všechny štítky řádně připevněné a zda jsou čitelné (viz část <i>Štítky</i> )	<input type="checkbox"/>	<input type="checkbox"/>	
Kotevní konstrukce	Zkontrolujte, zda rám dveří či okna nebo konstrukce unese příslušné zatížení a zda splňuje pevnostní požadavky dle tabulky 1.	<input type="checkbox"/>	<input type="checkbox"/>	
PFAS a další vybavení	Je nezbytné nainstalovat a zkontrolovat vybavení doplňkového systému zachycení pádu osob (PFAS) (postroje, zatahovací zachycovače pádu atd.), který se používá s kotvicím systémem FlexiGuard, podle pokynů výrobce.	<input type="checkbox"/>	<input type="checkbox"/>	
<b>Sériové číslo (sériová čísla):</b>		<b>Datum nákupu:</b>		
<b>Číslo modelu:</b>		<b>Datum prvního použití:</b>		
<b>Nápravné opatření / údržba:</b>		Schválil(a):		
		Datum:		
<b>Nápravné opatření / údržba:</b>		Schválil(a):		
		Datum:		
<b>Nápravné opatření / údržba:</b>		Schválil(a):		
		Datum:		
<b>Nápravné opatření / údržba:</b>		Schválil(a):		
		Datum:		
<b>Nápravné opatření / údržba:</b>		Schválil(a):		
		Datum:		
<b>Nápravné opatření / údržba:</b>		Schválil(a):		
		Datum:		
<b>Nápravné opatření / údržba:</b>		Schválil(a):		
		Datum:		
<b>Nápravné opatření / údržba:</b>		Schválil(a):		
		Datum:		
<b>Nápravné opatření / údržba:</b>		Schválil(a):		
		Datum:		
<b>Nápravné opatření / údržba:</b>		Schválil(a):		
		Datum:		
<b>Nápravné opatření / údržba:</b>		Schválil(a):		
		Datum:		
<b>Nápravné opatření / údržba:</b>		Schválil(a):		
		Datum:		
<b>Nápravné opatření / údržba:</b>		Schválil(a):		
		Datum:		
<b>Nápravné opatření / údržba:</b>		Schválil(a):		
		Datum:		

<sup>1</sup> **Kompetentní osoba:** Osoba schopná identifikovat existující a předvídatelné nebezpečí v okolním prostředí nebo pracovní podmínky, které jsou pro pracovníky zdravotně závadné, rizikové nebo nebezpečné, a která je pověřena přijímat okamžitá nápravná opatření k jejich odstranění.

## SIKKERHEDSOPLYSNINGER

DA

Læs alle sikkerhedsoplysninger i denne brugsanvisning, og sørg for, at du forstår og følger disse, før du bruger denne forankringskonnektor. **UNDLADELSE HERAF KAN MEDFØRE ALVORLIG PERSONSKADE ELLER DØDSFALD.**

Disse anvisninger skal udleveres til brugeren af udstyret. Opbevar denne vejledning til senere brug.

### Anvendelsesformål:

Denne forankringskonnektor er beregnet til brug som en del af et komplet personligt faldsikringssystem.

Enhver anden brug end denne, herunder, men ikke begrænset til, materialehåndtering, rekreative eller sportslige aktiviteter eller andre aktiviteter, der ikke er beskrevet i brugervejledningen, er ikke godkendt af 3M og kan medføre alvorlig skade eller død.

Denne anordning må kun benyttes af uddannede brugere til anvendelse på arbejdspladsen.

### ADVARSEL

Denne forankringskonnektor er en del af et personligt faldsikringssystem. Det forventes, at alle brugere er fuldt uddannet i sikker installation og drift af deres personlige faldsikringssystem. **Misbrug af denne anordning kan medføre alvorlig skade eller død.** Læs og følg denne brugervejledning samt alle producentens anbefalinger, tal med din vejleder eller kontakt 3M's tekniske service vedrørende korrekt valg, drift, installation, vedligeholdelse og servicering.

- **For at reducere risiciene ved at arbejde med en forankringskonnektor, som, hvis de ikke undgås, kan medføre alvorlig skade eller død, skal du:**
  - Efterse anordningen før hver brug, mindst én gang om året og efter et eventuelt fald. Efterse systemet i overensstemmelse med brugervejledningen.
  - Hvis eftersynet afslører usikre eller defekte tilstande, skal udstyret tages ud af drift og repareres eller udskiftes i overensstemmelse med brugervejledningen.
  - Enhver anordning, som har været udsat for faldstandsning eller kraftpåvirkninger, skal straks tages ud af brug og destrueres.
  - Anordningen må kun monteres på de anviste substrater eller på strukturer oplyst i brugervejledningen. Installationer og anvendelse ud over denne instruktion skal godkendes skriftligt af 3M Fall Protection.
  - Underlaget eller strukturen, hvortil forankringsforbindelsen fastgøres, skal kunne klare de statiske belastninger, der er specificeret for forankringen i de i brugervejledningen tilladte retninger.
  - Man må kun tilslutte andre faldsikringsundersystemer til det angivne forankringsforbindelsepunkt på anordningen.
  - Forud for boring eller fastgørelse skal det sikres, at ingen elledninger, gasledninger eller andre kritiske indkapslede systemer kommer i kontakt med boret eller anordningen.
  - Sørg for, at faldsikringssystemer/-undersystemer, der er samlet fra komponenter, der er fremstillet af forskellige fabrikanter, er kompatible og opfylder kravene i relevante standarder, inklusive ANSI Z359 eller andre gældende regulativer, standarder for eller krav til faldbelyttelse. Opsøg altid en kompetent eller kvalificeret person, før du anvender disse systemer.
- **For at reducere risici i forbindelse med højdearbejde, som, hvis de ikke undgås, kan medføre alvorlig skade eller død:**
  - Sørg for, at dit helbred og din kondition gør dig i stand til sikkert at kunne modstå alle de kræfter, der er forbundet med højdearbejde. Rådfør dig med din læge, hvis du har spørgsmål vedrørende din evne til at bruge dette udstyr.
  - Overstig aldrig den tilladte kapacitet for dit faldsikringsudstyr.
  - Overstig aldrig den maksimale faldafstand fra dit faldsikringsudstyr.
  - Brug ikke faldsikringsudstyr, som ikke virker ved forudgående brug eller planlagte inspektioner, eller hvis du er bekymret for udstyrets brug eller egnethed til det tilsigtede formål. Kontakt 3M's tekniske service med eventuelle spørgsmål.
  - Kombinationer med visse delsystemer og komponenter kan forstyrre driften af dette udstyr. Brug kun kompatible forbindelser. Rådfør dig med 3M, før du bruger dette udstyr sammen med andre komponenter eller delsystemer end dem, der er beskrevet i brugervejledningen.
  - Vær særligt forsigtig, når du arbejder i nærheden af maskiner, som bevæger sig (f.eks. øverste drev på olieplatforme), elektrisk kortslutning, ekstreme temperaturer, kemiske farer, eksplosive eller giftige gasser, skarpe kanter eller under overliggende materialer, som kan falde ned på dig eller dit faldsikringsudstyr.
  - Brug Arc Flash eller Hot Works (dvs. passende beskyttelses)-anordninger, når du arbejder i miljøer med ekstrem varme.
  - Undgå overflader og genstande, som kan beskadige brugeren eller udstyret.
  - Sørg for tilstrækkelig faldafstand ved højdearbejde.
  - Faldsikringsudstyret må aldrig modificeres eller ændres. Kun 3M eller parter, som 3M skriftligt har bemyndiget, må foretage reparationer på udstyret.
  - Før brug af faldsikringsudstyret skal du sørge for at have en redningsplan, som muliggør hurtig redning i tilfælde af fald.
  - Hvis der sker et fald, søges straks lægehjælp for den faldne arbejdstager.
  - Brug ikke et kropsbælte til anvendelser, der involverer faldsikring. Må kun benyttes med komplet kropssele.
  - Svingfald kan minimeres ved så vidt muligt at arbejde lige under forankringspunktet.
  - Hvis der øves med denne anordning, skal der benyttes sekundært faldbeskyttelsesudstyr på en sådan måde, at lærlingen ikke udsættes for utilsigtet faldrisiko.
  - Brug altid passende personlige værnemidler under installation, brug eller inspektion af enheden/systemet.

*Inden udstyret monteres og tages i brug, skal produktidentifikationsoplysningerne fra ID-mærkatene noteres i inspektions- og vedligeholdelsesloggen (tabel 2) på bagsiden af denne manual.*

## PRODUKTBEKRIVELSE:

Figur 1 viser 3M™ DBI-SALA™ dørkarmforankringen. Dørkarmforankringen er en enkelt-punkts forankringskonnektor, som installeres i en dør- eller vinduesåbning.

Figur 2 viser dørkarmforankringens komponenter. Se tabel 1 for specifikationer. Dørkarmforankringen består af et holderør (A) med et fastgjort ben (B) og et justerbart ben (C), som kan skubbes langs holderøret, så det passer i dør- og vinduesåbningen. Det justerbare ben har huller til stifter og en stift (D) til grovjustering. Når det justerbare ben er sat på plads med stiften, strammes en knap med en skruefod (E) for at sikre dørkarmforankringen i dør-/vinduesåbningen. En D-ring (F) på holderøret fungerer som et forbindelsespunkt for en livline eller en selvopruddende enhed (SRD).

**Tabel 1 – Specifikationer**

Systemspecifikationer:			
<b>Kapacitet:</b>	<b>ANSI/CE:</b> 1 person med en samlet vægt (tøj, værktøj osv.) på højst 140 kg (310 pund). <b>OSHA:</b> 1 person med en samlet vægt (tøj, værktøj osv.) på højst 190 kg (420 pund)		
<b>Forankringsstyrke:</b>	<b>ANSI/OSHA</b>	<b>Faldstandsning:</b> Den struktur, som forankringskonnektoren er forbundet til, skal kunne bære statiske belastninger placeret i de retninger, som faldstandsning tillader, på mindst: 16 kN (3.600 pund) certificeret af en kvalificeret person <sup>2</sup> ; eller 22 kN (5.000 pund) uden certificering. Når der fastgøres mere end et personligt faldstandsning (PFAS) til en forankring, skal det statiske læs ganges med det antal af PFAS, som fastgøres til forankringen.	
	<b>CE EN795</b>	<b>Forankringsstruktur:</b> Strukturen, som forankringskonnektoren er monteret på, skal kunne holde til en kontinuerlig belastning i den/de forventede belastningsretning(er). Hvert forankringspunkt skal kunne holde til en belastning på 12 kN (2.698 pund).	
<b>Driftstemperatur:</b>	-40 °C ( -40 °F)		
<b>Forankringskonnektorens brudstyrke</b>	Minimum brudstyrke 22 kN (5.000 pund)		
<b>Dør/vindueskarmbredde:</b>	Se figur 1: Minimal bredde: 54,6 cm (21,5 tommer), maksimal bredde: 129,5 cm (51,0 tommer)		
<b>Produktdimensioner:</b>	Se figur 1		
<b>Produktvægt:</b>	6,3 kg (14,0 pund)		
Komponentspecifikationer:			
Figur 2 Reference	Komponent	Materialer	Noter
(A)	Holderør	Aluminium	
(B)	Fastgjort ben	Rør - aluminium Fod - stål Pude - gummi	
(C)	Justerbart ben	Aluminium	
(D)	Grovjusteringsstift	Stål	
(E)	Finjusteringsknap	Knap - stål Skrue - stål Fod - stål Pude - gummi	
(F)	D-ringe	Stållegering	Elastisk styrke 22,2 kN (5.000 pund)

**1 Kvalificeret person:** En person med en anerkendt grad eller uddannelsesbevis og med omfattende erfaring med faldstandsning. Denne person skal kunne designe, analysere, evaluere og specificere faldstandsning.

## 1.0 PRODUKTANVENDELSE

- 1.1 FORMÅL:** Forankringskonnektorer er designet til at tilvejebringe forankringspunkter til faldstandsning<sup>1</sup> eller fastholdelsessystemer<sup>2</sup>: Fastspænding, arbejdspositionering, personhejsning, redning osv.

**Kun faldstandsning:** Denne forankringskonnektor er til tilslutning af faldstandsningsudstyr. Brug ikke løfteudstyr til denne forankringskonnektor.

- 1.2 STANDARDER:** Din forankringskonnektor lever op til de nationale eller regionale standarder, der er angivet på forsiden af denne brugsanvisning. Hvis dette produkt videresælges uden for det oprindelige modtagerland, skal den person, der videresælger, sørge for vejledning i brug, vedligeholdelse, regelmæssig inspektion og reparation på sproget i det land, hvor produktet skal bruges.
- 1.3 OPSYN:** Installation af dette udstyr skal ske under kyndig vejledning af en kvalificeret person<sup>3</sup>. Brugen af dette udstyr skal foregå under opsyn af en kompetent person<sup>4</sup>.
- 1.4 UDDANNELSE:** Dette udstyr skal monteres og anvendes af personer, der har gennemgået træning i korrekt anvendelse af udstyret. Denne manual bør anvendes som en del af et medarbejdertræningsprogram som påkrævet af CE. Installatørerne og brugerne af dette udstyr har ansvaret for at sikre, at de er bekendte med denne vejledning, er trænet i rigtig vedligeholdelse og anvendelse af udstyret samt er bekendte med anvendelseskarakteristika, anvendelsesbegrænsninger og konsekvenserne af forkert anvendelse af udstyret.
- 1.5 REDNINGSPLAN:** Når dette udstyr og tilsluttede delsystemer anvendes, skal arbejdsgiveren have en redningsplan og midlerne til at implementere den til rådighed, og denne skal kommunikere planen til brugere, autoriserede personer<sup>5</sup> og reddere<sup>6</sup>. Det anbefales at have et redningshold på stedet. Reddere skal forsynes med udstyr og teknikker til gennemførelse af en vellykket redning. Træning skal gennemføres med jævne mellemrum for at sikre, at redderne har de fornødne færdigheder.
- 1.6 INSPEKTIONSHYPPIGHED:** Forankringskonnektoren skal inspiceres af brugeren før hver brug samt af en anden kvalificeret person forskellig fra brugeren mindst en gang om året.<sup>7</sup> Inspektionsprocedurer er beskrevet i "Inspektions- og vedligeholdelsesloggen". Resultaterne af hver inspektion foretaget af den kvalificerede person skal noteres i kopier af "Inspektions- og vedligeholdelsesloggen".
- 1.7 EFTER ET FALD:** Hvis forankringskonnektoren har været udsat for faldstandsning eller kraftpåvirkninger, skal den straks tages ud af brug og destrueres.

## 2.0 SYSTEMKRAV

- 2.1 FORANKRING:** Kravene til forankring varierer alt efter faldstandsningens anvendelse. Strukturen, på hvilken forankringskonnektoren placeres eller monteres, skal opfylde forankringsspecifikationerne, der er defineret i tabel 1.
- 2.2 PERSONLIGT FALDSTANDSNING:** Figur 1 viser anvendelsen af forankringskonnektoren. Personlige faldstandsninger (PFAS), der bruges med systemet, skal overholde gældende faldstandsningsstandarder, regler og krav. Se vejledningen, som fulgte med dit taljereb eller selvopruddende enheder for begrænsninger for frit fald. PFAS'en skal have helkropssele og begrænse maksimal standsekraft (MAF) til følgende værdier:

	ANSI/OSHA	CE
PFAS med stødabsorberende sikkerhedsline	4 kN (900 pund)	6 kN (1.350 pund)
PFAS med selvopruddende enhed	4 kN (900 pund)	6 kN (1.350 pund)

- 2.3 FALDVEJ OG SRD-LÅSEHASTIGHED:** Der kræves uhindret faldlinje for at sikre låsning af en SRD. Situationer, som ikke muliggør en uhindret faldvej, bør undgås. Arbejde i snævre eller trange områder vil muligvis ikke lade kroppen nå en tilstrækkelig hastighed til, at SRD'en låser i tilfælde af et fald. Arbejde på langsomt rykkende materialer såsom sand eller korn giver muligvis ikke tilstrækkelig hastighed til, at SRD'en låser.
- 2.4 FARE:** Brug af dette udstyr i områder med miljøfarer kan kræve yderligere sikkerhedsforanstaltninger for at undgå personskade eller beskadigelse af udstyret. Faremomenter kan eksempelvis omfatte: varme, kemikalier, korrosive miljøer, højspændingsledninger, eksplosive eller giftige gasser, kørende maskineri, skarpe kanter eller overliggende materialer, som kan falde ned og ramme brugeren eller faldstandsninget.
- 2.5 FALDAFSTAND:** Figur 3 illustrerer komponenterne i faldstandsning. Der skal være tilstrækkelig faldafstand under brugeren til, at et evt. fald standses, før brugeren rammer jorden eller nogen anden forhindring. Faldafstand påvirkes af en række faktorer, herunder: Forankringsplacering, (A) linens længde, (B) linens bremseafstand eller SRD maksimal standsningsafstand, (C) selens strækkevne og længde og sætning af D-Ringen/konnektoren (typisk en sikkerhedsfaktor på 1 m). Se vejledningen, som fulgte med dit faldstandsningssystem for specifikke oplysninger om beregning af faldafstand.
- 2.6 SVINGFALD:** Svingfald sker, når forankringspunktet ikke befinder sig umiddelbart over punktet, hvor faldet sker (se figur 4). Den kraft der udøves, når et emne rammes i et svingfald, kan forårsage alvorlig personskade eller død. Svingfald kan minimeres ved så vidt muligt at arbejde lige under forankringspunktet. Tillad ikke muligheden for svingfald, hvis det kan medføre personskade. Sving vil øge det frirum, der er nødvendigt, når der anvendes en selvopruddende anordning

**1 Faldstandsning:** En samling af faldstandsningssystemer beregnet til at standse frit fald.

**2 Fastholdelsessystem:** En samling af faldstandsningssystemer beregnet til at forhindre, at en persons tyngdepunkt bliver udsat for faldrisici.

**3 Kvalificeret person:** En person med en anerkendt grad eller uddannelsesbevis og med omfattende erfaring med faldstandsning. Denne person skal kunne designe, analysere, evaluere og specificere faldstandsning.

**4 Kvalificeret person:** En person, som er i stand til at identificere eksisterende og forudsagelige risici i omgivelserne eller i forhold til arbejdsbetingelser, som er usunde, skadelige eller farlige for medarbejderne, og som har bemyndigelse til at træffe øjeblikkelige korrigerende forholdsregler for at eliminere dem.

**5 Autoriseret person:** I henhold til Z359-standarderne en person, der er udpeget af arbejdsgiveren til at udføre opgaver på en beliggenhed, hvor personen vil være udsat for en faldrisiko.

**6 Redder:** Person eller personer, udover den person, der bliver reddet, som handler for at foretage en assisteret undsætning ved brug af et redningssystem.

**7 Inspektionshyppighed:** Ekstreme arbejdsforhold (barsk miljø, langvarig brug osv.) kan gøre det nødvendigt at øge den kvalificerede persons inspektionshyppighed.

eller et andet forbundet delsystem med liner af variabel længde.

**2.7 KOMPONENTKOMPATIBILITET:** 3M-udstyr er kun beregnet til brug med 3M-godkendte komponenter og delsystemer. Erstatninger eller udskiftninger med ikke-godkendte komponenter eller delsystemer kan bringe udstyrets kompatibilitet i fare og kan påvirke det komplette systems sikkerhed og pålidelighed.

**2.8 KONNEKTORERKOMPATIBILITET:** Konnektorer betragtes som kompatible med forbindelsesordninger, når de er konstrueret til at fungere sammen på en sådan måde, at størrelserne og formerne ikke får deres ledmekanismer til utilsigtet at åbne sig, uanset hvordan de bliver vendt. Kontakt 3M, hvis du har spørgsmål vedrørende kompatibilitet. Konnektorer (kroge, karabinhager og D-ringe) skal kunne klare mindst 22,2 kN (5.000 pund). Konnektorer skal være kompatible med forankringen og andre systemkomponenter. Anvend ikke udstyr, der ikke er kompatibelt. Ikke kompatible konnektorer kan blive adskilt ved et uheld (se figur 5). Konnektorer skal være kompatible med hensyn til størrelse, form og styrke. Hvis tilslutningselementet, som en snapkrog eller karabinhage er fastgjort til, er for lille eller har en uregelmæssig form, kan der opstå en situation, hvor tilslutningselementet belaster snapkrogens eller karabinhagens led (A). Denne belastning kan medføre, at leddet åbnes (B), således at snapkrogen eller karabinhagen løsriver fra forbindelsespunktet (C).

Selvlåsende snapkroge og karabinhager er påkrævet ved ANSI Z359 og OSHA.

**2.9 FORBINDELSER:** Snapkroge og karabinhager anvendt med dette udstyr skal være selvlåsende. Sørg for, at alle forbindelser er kompatible i størrelse, form og styrke. Anvend ikke udstyr, der ikke er kompatibelt. Sørg for, at alle konnektorer er helt lukkede og låste.

3M-konnektorer (snapkroge og karabinhager) er udelukkende konstrueret til brug som specificeret i hvert produkts brugsanvisning. Se figur 6 for eksempler på forkerte sammenslutninger. Tilslut ikke snapkroge og karabinhager:

- A. Til en D-ring som en anden konnektor er fastgjort til.
- B. På en måde som vil medføre belastning på leddet. Store snapkroge med halsåbning bør ikke forbindes til en D-ring i standardstørrelse eller til lignende genstande, der vil medføre en belastning på leddet, hvis krogen eller D-ringen vrides eller drejes, medmindre snapkrogen er udrustet med en 16 kN (3.600 pund) port. Kontrollér mærkaten på din snapkrog for at bekræfte, at den er egnet til din anvendelse.
- C. Ved forkert tilkobling, hvor dele, som stikker ud fra snapkrogen eller karabinhagen, kan få fat i ankeret og se ud til at være korrekt fastgjort til forankringspunktet, hvis ikke der tjekkes grundigt.
- D. Til hinanden.
- E. Direkte til redtøj, taljereb eller forankringslinen, (medmindre producentens vejledning for både taljereb og konnektor specifikt tillader en sådan tilslutning).
- F. Til en genstand med en form eller størrelse, som gør, at snapkrogen eller karabinhagen ikke vil lukke og låse, eller som kan få linen til at rulle sig ud.
- G. På en måde som forhindrer konnektoren i at flugte korrekt under belastning.

### 3.0 MONTERING

*Strukturen for et certificeret forankringspunkt på hvilken forankringskonnektoren forbindes, skal være designet eller evalueret af en kvalificeret person<sup>1</sup>. Et ikke-certificeret forankringspunkt kan godkendes af en kvalificeret person<sup>2</sup> (se tabel 1).*

- 3.1 PLANLÆGNING:** Planlæg faldstandsninget før monteringen af dørkarmforankringen. Tag højde for alle faktorer, der kan påvirke brugerens sikkerhed inden, under og efter et fald. Overvej alle krav, begrænsninger og specifikationer, der er angivet i afsnit 2 og tabel 1.
- 3.2 INSTALLERING AF DØRKARMFORANKRINGEN:** Dørkarmforankringen kan installeres i enhver dør eller vindueskarm med den tilladte minimumsbredde og maksimumsbredde ifølge de specificerede forankringskrav (se tabel 1). Figur 7 viser installation af dørkarmforankringen. For at installere dørkarmforankringen:
1. Juster dørkarmforankringen, så den passer i den ønskede åbning ved at fjerne grovjusteringsstiften og skub det justerbare ben mod D-ringen. Drej finjusteringsknappen mod uret indtil foden sidder stramt mod holderøret.
  2. Placer dørkarmforankringen i dør- eller vinduesåbningen med D-ringen vendt mod det område, hvor arbejdet bliver udført. Det justerbare ben kan enten placeres på den venstre eller højre side af åbningen. Dørkarmforankringen skal hvile i bunden af vinduet eller døråbningen. Forsøg ikke at installere dørkarmforankringen i en position, hvor den ikke er understøttet af gulvet eller vindueskarmen.
  3. Skub det justerbare ben så tæt på dør- eller vindueskarmen som muligt, og indsæt grovjusteringsstiften i de tættest siddende justeringshuller. Sørg for at forankringen sidder stramt i døren eller vinduet ved at spænde finjusteringsknappen. Dørkarmforankringen skal være solid og sikker efter installation.

### 4.0 BRUG

- 4.1 FØR HVER BRUG:** Verificér at dit arbejdsområde og dit personlige faldstandsning (PFAS) overholder alle kriterier i afsnit 2, og at der forefindes en formaliseret nødplan. Efterse dørkarmforankringen i henhold til "Bruger"-inspektionspunkterne beskrevet i "Inspektions- og vedligeholdelseslog" (tabel 2). Brug ikke systemet, hvis inspektionen afslører en usikker eller defekt tilstand. Tag systemet ud af brug og ødelæg det, eller kontakt 3M med henblik på udskiftning eller reparation.
- 4.2 FALDSTANDSNINGSFORBINDELSER:** Dørkarmforankringen bruges med en helkropssele og et energiabsorberende taljereb eller en selvopruhlende enhed (SRD). Figur 8 viser forbindelsen af taljerebet (A) eller SRD'en (B) mellem selen og dørkarmforankringen. Fastgør taljerebet eller SRD'en mellem D-ringen på dørkarmforankringen og den bageste D-ring på ryggen af selen, som anført i brugsanvisningen, der fulgte med taljerebet eller SRD'en.

**Sikkert arbejdsområde:** Figur 8 viser det sikre arbejdsområde for dørkarmforankringen. Arbejd aldrig i en vandret vinkel, der er større end 30° fra den lodrette linje på forsiden af dørkarmforankringen for at undgå forkert belastning af forankringskonnektorpunktet (se figur 2). Arbejd aldrig i en position over eller under forankringskonnektorpunkterne, som overskrider de lodrette belastningskrav vist i figur 2.

### 5.0 INSPEKTION

- 5.1 INSPEKTIONSHYPPIGHED:** Dørkarmforankringen skal efterses med de intervaller, der er anført i afsnit 1. Inspektionsprocedurer er beskrevet i "Inspektions- og vedligeholdelsesloggen" (tabel 2). Inspicer alle andre komponenter i faldstandsninget med den hyppighed og efter de procedurer, som er defineret i producentens vejledning.

**RFID-mærkat:** Dørkarmforankringer er forsynede med radiofrekvensidentifikationsmærkater (RFID). RFID-mærkaten kan bruges sammen med et håndholdt aflæsningsapparat og en web-baseret portal til at forenkle inspektion og lagerstyring og give relevant dokumentation for dit faldstandsningsudstyr.

- 5.2 DEFEKTER:** Hvis en inspektion afslører usikre eller fejlbehæftede tilstande, skal dørkarmforankringen tages ud af drift omgående og 3M skal kontaktes vedrørende udskiftning eller reparation. Prøv ikke på at reparere faldstandsning.

**Der må kun udføres autoriserede reparationer:** Kun 3M eller parter med skriftlig bemyndigelse må foretage reparationer på dette udstyr.

- 5.3 PRODUKTETS LEVETID:** Den driftsmæssige levetid for faldstandsning bestemmes af arbejdsbetingelserne og den konkrete vedligeholdelse. Så længe produktet godkendes ved inspektionen, må det fortsat bruges.

### 6.0 VEDLIGEHOLDELSE, SERVICE, OPBEVARING


- 6.1 RENGØRING:** Rens med jævne mellemrum dørkarmforankringens metalkomponenter med en blød børste og varmt vand med en mild sæbeopløsning. Sørg for, at delene bliver grundigt skyllet med rent vand.
- 6.2 SERVICE:** Kun 3M eller parter med skriftlig bemyndigelse fra 3M må foretage reparationer på dette udstyr. Hvis dørkarmforankringen har været aktiveret i forbindelse med et fald, eller en inspektion afslører usikre eller fejlbehæftede forhold, skal systemet omgående tages ud af drift, og 3M skal kontaktes med henblik på udskiftning eller reparation.
- 6.3 OPBEVARING OG TRANSPORT:** Når det ikke bruges, skal dørkarmforankringen og det tilhørende faldudstyr opbevares og transporteres på et tørt, køligt, rent sted, hvor det ikke udsættes for direkte sollys. Undgå steder, hvor der kan være kemikaliedampe. Efterse komponenterne grundigt efter længere tids opbevaring.

**1 Kvalificeret person:** En person med en anerkendt grad eller uddannelsesbevis og med omfattende erfaring med faldstandsning. Denne person skal kunne designe, analysere, evaluere og specificere faldstandsning.

**2 Kvalificeret person:** En person, som er i stand til at identificere eksisterende og forudsigelige risici i omgivelserne eller i forhold til arbejdsbetingelser, som er usunde, skadelige eller farlige for medarbejderne, og som har bemyndigelse til at træffe øjeblikkelige korrigerende forholdsregler for at eliminere dem.

## 7.0 MÆRKATER

Figur 9 viser mærkater på dørkarmforankringen. Mærkater skal udskiftes, hvis de ikke er helt læselige. Hver mærkat har følgende information:

	Læs alle instruktioner.
①	<p><b>SPECIFIKATIONER:</b> Kapacitet: 1 person, ANSI 140 kg (310 pund) maks., OSHA 190 kg (420 pund) maks.  Maksimal standsekraft 1.800 pund  Materialer: Aluminium forankring, galvaniseret stållegering D-ring  Standarder: Opfylder ANSI Z359.18 type A og OSHA 1926.502 og 1910.140  Minimal brudstyrke: 22 Nm (5.000 pund) MBS  ANSI minimums servicetemp. -40 °C (-40 °F)</p>
②	<p><b>BRUG:</b> Se brugervejledningen for flere oplysninger om hvordan man laver forbindelser. Sørg for at livlinen ikke skraber mod nogen skarpe kanter, når den er i brug. Vær forsigtig, når dette udstyr bruges i nærheden af farlige termiske, elektriske eller kemiske kilder. Se brugervejledningen for yderligere oplysninger.</p>
③	<p><b>INSPEKTION:</b> Efterse forankringen før hver brug. Forankringen skal efterses af en kvalificeret person ifølge brugervejledningen mindst en gang om måneden. Brug ikke, hvis eftersynet afslører en usikker eller defekt tilstand. Er ikke brugerreparerbar.</p> <p>Dette produkt er RFID aktiveret, og indeholder en elektronisk etiket, som kan aflæses af kompatible aflæsere - som giver inspektionsinformation og anden sikkerhedsinformation.</p>
④	<p><b>TILLADTE LÆSSERETNINGER:</b> Arbejd aldrig i en vandret vinkel, der er større end 30° fra den lodrette linje på forsiden af dørkarmforankringen for at undgå forkert belastning af forankringskonnektorpunktet. Arbejd aldrig i en position over eller under forankringskonnektorpunkterne, som overskrider de lodrette belastningskrav.</p>
⑤	<p>Denne dør/vindueskarm skal altid installeres i bunden af vindues- eller døråbningen, så den hviler på karmen. Hvis forankringen ikke hviler på karmen, kan den dreje. Sørg for at forankringen kan komme fri af vindues- eller døråbningen, når den er læsset. Hvis denne advarsel ikke følges, kan det resultere i alvorlige personskader eller dødsfald.</p>
⑥	CE-standard og bemyndiget organ-ID
⑦	Fremstillet år/måned og partinummer
⑧	<p>Producentens anvisninger skal læses og forstås før brug. Vejledningerne, som blev leveret med dette produkt på forsendelsestidspunktet, skal følges i forhold til korrekt brug, vedligeholdelse og inspektion. Ændringer eller forkert brug af produktet eller manglende efterlevelse af anvisningerne kan resultere i alvorlige personskader eller død. Kun dele, der passer sammen, må bruges sammen. Se brugsvejledningen.</p>
⑨	Produktmodelnummer
⑩	Producentens lokation
⑪	Maksimalt en person
⑫	Temperaturanvendelsesområde: -40 °C til 60 °C
⑬	Inspektionslog: Dato, initialer



**Tabel 2 – Inspektions- og vedligeholdelseslog**

Inspektionsdato:		Inspiceret af:	
Komponenter:	Inspektion: (Se afsnit 1 for inspektionshyppigheden)	Bruger	Kvalificeret person <sup>1</sup>
Dørkarmankre (figur 2)	Efterse dørkarmankeret for skade: Se efter revner, buler eller deformiteter. Se efter bøjninger eller slitage på holderøret, D-ringen og justeringsmekanismerne. Sørg for at ingen dele er løse eller mangler.	<input type="checkbox"/>	<input type="checkbox"/>
	Efterse justeringsmekanismerne. Grovjusteringsstiften skal låses, når den indsættes gennem ethvert af justeringshullerne.	<input type="checkbox"/>	<input type="checkbox"/>
	Efterse hele enheden for overdreven korrosion. Efterse spændet på finjusteringsskruen og spænd om nødvendigt.	<input type="checkbox"/>	<input type="checkbox"/>
Mærkater (figur 10)	Kontrollér, at alle mærkater er sikkert på plads, og at de er læselige (se "Mærkater")	<input type="checkbox"/>	<input type="checkbox"/>
Forankringsstruktur	Efterse dørkarmen, vinduet og/eller strukturen for at sikre, at de alle er bærende og opfylder kravene til bæreevnen i tabel 1.	<input type="checkbox"/>	<input type="checkbox"/>
PFAS og andet udstyr	Ekstra udstyr til personlig faldstandsning (PFAS)-udstyr (seler, SRL etc.), som bruges med Flexiguard Systemet, skal installeres og efterses i henhold til producentens anvisninger.	<input type="checkbox"/>	<input type="checkbox"/>
<b>Serienummer/-numre:</b>		<b>Købsdato:</b>	
<b>Modelnummer:</b>		<b>Dato for første brug:</b>	
<b>Korrigerende foranstaltning/vedligeholdelse:</b>		Godkendt af:	
		Dato:	
<b>Korrigerende foranstaltning/vedligeholdelse:</b>		Godkendt af:	
		Dato:	
<b>Korrigerende foranstaltning/vedligeholdelse:</b>		Godkendt af:	
		Dato:	
<b>Korrigerende foranstaltning/vedligeholdelse:</b>		Godkendt af:	
		Dato:	
<b>Korrigerende foranstaltning/vedligeholdelse:</b>		Godkendt af:	
		Dato:	
<b>Korrigerende foranstaltning/vedligeholdelse:</b>		Godkendt af:	
		Dato:	
<b>Korrigerende foranstaltning/vedligeholdelse:</b>		Godkendt af:	
		Dato:	
<b>Korrigerende foranstaltning/vedligeholdelse:</b>		Godkendt af:	
		Dato:	
<b>Korrigerende foranstaltning/vedligeholdelse:</b>		Godkendt af:	
		Dato:	
<b>Korrigerende foranstaltning/vedligeholdelse:</b>		Godkendt af:	
		Dato:	
<b>Korrigerende foranstaltning/vedligeholdelse:</b>		Godkendt af:	
		Dato:	

**1 Kvalificeret person:** En person, som er i stand til at identificere eksisterende og forudsigelige risici i omgivelserne eller i forhold til arbejdsbetingelser, som er usunde, skadelige eller farlige for medarbejderne, og som har bemyndigelse til at træffe øjeblikkelige korrigerende forholdsregler for at eliminere dem.

## SICHERHEITSHINWEISE

Vor der Verwendung dieses Anschlaghilfsmittels müssen alle Sicherheitsinformationen in diesen Anweisungen gelesen, verstanden und befolgt werden. **NICHTBEACHTUNG KANN ERNSTE VERLETZUNGEN ODER DEN TOD ZUR FOLGE HABEN.**

Diese Anweisungen müssen dem Benutzer dieser Ausrüstung zur Verfügung gestellt werden. Bewahren Sie diese Anweisungen für den späteren Gebrauch auf.

### Verwendungszweck:

Dieses Anschlaghilfsmittel ist für den Gebrauch als Teil eines kompletten persönlichen Absturzicherungssystems vorgesehen.

Die Verwendung in anderen Anwendungen, u. a. bei Materialtransport, Freizeitaktivitäten, Sportaktivitäten oder anderen, nicht in der Bedienungsanleitung beschriebenen Aktivitäten, wird nicht durch 3M genehmigt und kann zu schweren Verletzungen oder zum Tod führen.

Dieses Gerät darf nur von Personen verwendet werden, die in der Verwendung des Geräts am Arbeitsplatz geschult sind.

## WARNUNG

Dieses Anschlaghilfsmittel ist Teil eines persönlichen Absturzicherungssystems. Es wird erwartet, dass alle Benutzer vollständig in dem sicheren Zusammenbau und der Bedienung ihres persönlichen Absturzicherungssystems geschult werden. **Der unsachgemäße Gebrauch dieses Geräts kann ernste Verletzungen oder den Tod zur Folge haben.** Informationen zur richtigen Auswahl, Bedienung, Installation, Wartung und Instandhaltung sind der Bedienungsanleitung und den Herstellerempfehlungen zu entnehmen, oder wenden Sie sich an Ihren Vorgesetzten oder an den technischen Service von 3M.

- **Maßnahmen zur Reduzierung der Risiken (die, wenn sie nicht vermieden werden, zu schweren Verletzungen oder zum Tod führen können) im Zusammenhang mit einem Anschlaghilfsmittel:**
  - Überprüfen Sie das Gerät vor jeder Verwendung, mindestens aber jährlich und nach jedem Absturz. Überprüfen Sie gemäß den Benutzeranweisungen.
  - Falls bei der Überprüfung eine Gefahr oder ein Mängelzustand festgestellt wird, nehmen Sie das Gerät außer Betrieb und reparieren oder ersetzen Sie es gemäß den Benutzeranweisungen.
  - Jede Vorrichtung, die einer Absturzicherung oder Aufprallkräften ausgesetzt war, muss sofort aus dem Betrieb genommen und zerstört werden.
  - Die Vorrichtung darf ausschließlich in den angegebenen Untergründen oder an den in der Benutzeranleitung aufgeführten Strukturen angebracht werden. Nicht in dieser Anleitung beschriebene Installationsweisen und Verwendungen müssen von 3M Fall Protection genehmigt werden.
  - Das Trägermaterial oder die Struktur, an die das Anschlaghilfsmittel befestigt ist, muss die statischen Belastungen tragen können, die für die Verankerung in den zulässigen Vorgaben angegeben sind. Diese sind in den Benutzeranweisungen zu finden.
  - Nur andere Untersysteme der Absturzicherung mit dem gekennzeichneten Verankerungspunkt an der Vorrichtung verbinden.
  - Stellen Sie vor dem Bohren oder Befestigen sicher, dass keine elektrischen Leitungen, Gasleitungen oder sonstige kritische integrierte Systeme mit dem Bohrer oder dem Gerät in Kontakt geraten.
  - Stellen Sie sicher, dass Absturzicherungssysteme/Teilsysteme, die aus Komponenten von verschiedenen Herstellern zusammengebaut werden, zueinander passen und den Anforderungen von geltenden Normen, einschließlich ANSI Z359 oder anderen gültigen Absturzicherungsrichtlinien, Standards oder Anforderungen entsprechen. Ziehen Sie stets einen Sachkundigen oder eine qualifizierte Person zurate, bevor Sie diese Systeme verwenden.
- **Maßnahmen zur Reduzierung der Risiken (die, wenn sie nicht vermieden werden, zu schweren Verletzungen oder zum Tod führen können) im Zusammenhang mit Arbeiten in der Höhe:**
  - Stellen Sie sicher, dass Ihre gesundheitliche und körperliche Verfassung allen Kräften im Zusammenhang mit Arbeiten in der Höhe sicher standhalten kann. Konsultieren Sie Ihren Arzt, wenn Sie Fragen bezüglich Ihrer Fähigkeit haben, diese Ausrüstung zu verwenden.
  - Niemals die zulässige Belastbarkeit für Ihre Absturzicherungsausrüstung überschreiten.
  - Niemals die maximale Strecke des Absturzes Ihrer Absturzicherungsausrüstung überschreiten.
  - Verwenden Sie keine Absturzicherungsausrüstung, die die Prüfung vor dem Einsatz oder andere geplante Prüfungen nicht bestanden haben, oder wenn Sie Bedenken über die Verwendung oder Tauglichkeit dieser Ausrüstung für Ihren Anwendungsbereich haben. Bei allen Fragen wenden Sie sich an den technischen Kundendienst von 3M.
  - Manche Kombinationen mit Teilsystemen und Komponenten können die Funktionsweise dieser Ausrüstung beeinträchtigen. Nur kompatible Verbindungselemente verwenden. Konsultieren Sie 3M, bevor Sie diese Ausrüstung in Kombination mit anderen Komponenten oder Untersystemen verwenden als denen, die in dieser Bedienungsanleitung beschrieben sind.
  - Bei der Arbeit in der Nähe von beweglichen Maschinen (z. B. Kraftdrehknopf von Ölplattformen), elektrischen Gefahrenherden, extremen Temperaturen, chemischen Gefahren, explosiven oder toxischen Gasen, scharfen Kanten oder unterhalb von über dem Kopf befindlichen Materialien, die auf Sie oder Ihre Absturzicherung fallen könnten, besonders vorsichtig vorgehen.
  - Bei Arbeiten in Umgebungen mit hohen Temperaturen Vorrichtungen für Schweißlichtbogen oder Heißarbeiten verwenden.
  - Oberflächen und Gegenstände vermeiden, die dem Benutzer oder der Ausrüstung schaden könnten.
  - Stellen Sie bei Arbeiten in der Höhe einen angemessenen Fallraum sicher.
  - Niemals versuchen, die Absturzicherung zu modifizieren. Nur 3M oder Dritte, die hierzu schriftlich von 3M autorisiert sind, dürfen Reparaturen an der Ausrüstung vornehmen.
  - Vergewissern Sie sich vor dem Einsatz der Absturzicherung, dass ein Rettungsplan vorliegt, durch dessen Mittel eine unverzügliche Rettung bei einem Absturz ermöglicht wird.
  - Wenn es zu einem Absturz kommt, muss für den abgestürzten Arbeiter sofort ein Arzt hinzugezogen werden.
  - Verwenden Sie für Absturzicherungsanwendungen keinen Haltegurt. Verwenden Sie nur einen Ganzkörper-Auffanggurt.
  - Minimieren Sie Pendelstürze, indem Sie so nahe wie möglich am Verankerungspunkt arbeiten.
  - Beim Training mit dieser Vorrichtung muss ein zweites Absturzicherungssystem in der Weise angewendet werden, dass der Trainingsteilnehmer keiner unbeabsichtigten Absturzgefahr ausgesetzt wird.
  - Beim Zusammenbau, der Verwendung oder Prüfung der Vorrichtung stets eine entsprechende persönliche Schutzausrüstung tragen.

Übertragen Sie die Angaben zur Produktidentifikation vor der Installation und Verwendung dieser Ausrüstung vom ID-Etikett in das Prüf- und Wartungsprotokoll (Tabelle 2) am Ende dieses Handbuchs.

### PRODUKTBESCHREIBUNG:

Abbildung 1 zeigt den 3M™ DBI-SALA™ Türpfostenanker. Der Türpfostenanker ist ein Einpunkt-Verankerungsanschluss, der in einer Tür- oder Fensteröffnung installiert wird.

Abbildung 2 zeigt die Komponenten des Türpfostenankers. Siehe Tabelle 1 für die Spezifikationen. Der Türpfostenanker besteht aus einem Stützrohr (A) mit einem festen Bein (B) und einem einstellbaren Bein (C), das entlang des Stützrohrs gleitet, um sich der Tür- oder Fensteröffnung anzupassen. Das einstellbare Bein verfügt über Stiftlöcher und einen Stift (D) zur Grobeinstellung. Sobald das einstellbare Bein befestigt ist, wird ein Knopf mit einem Schraubfuß (E) angezogen, um den Türpfostenanker in der Tür-/Fensteröffnung zu sichern. Eine Auffangöse (F) am Stützrohr dient als Verbindungspunkt für ein Verbindungsmittel oder eine Selbsteinzugsvorrichtung (SRD).

**Tabelle 1 – Spezifikationen**

Systemspezifikationen:			
<b>Tragfähigkeit:</b>	<b>ANSI/CE:</b> 1 Person mit einem Gesamtgewicht (einschließlich Kleidung, Werkzeuge usw.) von maximal 140 kg (310 lbs). <b>OSHA:</b> 1 Person mit einem Gesamtgewicht (einschließlich Kleidung, Werkzeuge usw.) von maximal 190 kg (420 lbs).		
<b>Stärke der Verankerung:</b>	<b>ANSI/OSHA</b>	<b>Absturzsicherung:</b> Die Struktur, an der das Anschlaghilfsmittel befestigt wird, muss mindestens folgende statische Lasten in den für das Absturzsicherungssystem zulässigen Richtungen halten: 16 kN (3.600 lbs) mit Zertifizierung einer qualifizierten Person <sup>2</sup> oder 22 kN (5.000 lbs) ohne Zertifizierung. Wenn mehr als eine persönliche Schutzausrüstung gegen Absturz (PSAgA) an der Verankerung befestigt ist, müssen diese statischen Lasten mit der Anzahl der an der Verankerung befestigten PSAgA multipliziert werden.	
		<div style="border: 1px solid black; padding: 5px;"> <input checked="" type="checkbox"/> <b>OSHA 1926.500 und OSHA 1910.66:</b> Verankerungen, die benutzt werden, um eine persönliche Schutzausrüstung gegen Absturz (PSAgA) anzubringen, müssen von jeglichen Verankerungen, die zur Aufhängung oder Stützung von Plattformen benutzt werden, unabhängig sein und eine Belastung von 22 kN (5.000 lbs) pro gesicherte Person aushalten, oder als Teil einer vollständigen persönlichen PSAgA konzipiert, installiert und benutzt werden, die einen Sicherheitsfaktor von mindestens 2 aufrechterhält und von einer qualifizierten Person<sup>2</sup> überwacht wird.         </div>	
	<b>CE EN795</b>	<b>Haltesystem:</b> Die Struktur, an der der Verankerungsanschluss befestigt wird, muss mindestens folgende statische Lasten, in den für das Haltesystem zulässigen Richtungen von mindestens 13 kN (3.000 lbs) halten. Wenn mehr als ein Rückhaltesystem an der Verankerung befestigt ist, muss die statische Last mit der Anzahl der an der Verankerung befestigten Haltesysteme multipliziert werden.	
		<b>Verankerungsstruktur:</b> Die Struktur, an der das Anschlaghilfsmittel befestigt wird, muss einer Kraft in den jeweiligen Belastungsrichtungen standhalten. Jeder Ort eines Verankerungspunktes muss Belastungen von 12 kN (2.698 lbs) standhalten können.	
<b>Einsatztemperatur:</b>	-40 °C (-40 °F)		
<b>Verankerungsanschluss-Bruchfestigkeit</b>	Min. Bruchfestigkeit 22 kN (5.000 lbs)		
<b>Breite des Tür-/Fensterpfostens:</b>	(siehe Abbildung 1): Minimalbreite: 54,6 cm (21,5 Zoll), Maximalbreite: 129,5 cm (51,0 Zoll)		
<b>Produktabmessungen:</b>	Siehe Abbildung 1		
<b>Produktgewicht:</b>	6,3 kg (14,0 lbs)		
Spezifikation der Bauteile:			
Referenz Abbildung 2	Komponente	Material	Hinweise
Ⓐ	Stützrohr	Aluminium	
Ⓑ	Festes Bein	Rohr - Aluminium Fuß - Stahl Auflage - Gummi	
Ⓒ	Einstellbares Bein	Aluminium	
Ⓓ	Grobeinstellstift	Stahl	
Ⓔ	Feineinstellknopf	Knopf - Stahl Schraube - Stahl Fuß - Stahl Auflage - Gummi	
Ⓕ	Auffangöse	Legierter Stahl	Zugfestigkeit 22,2 kN (5.000 lbs)

**1 Qualifizierte Person:** Eine Person mit einem anerkannten Diplom oder einem professionellen Abschluss und umfangreicher Erfahrung in der Absturzsicherung. Diese Person muss sich in Absturzsicherungs-Design, -Analyse, -Bewertung und -Spezifikation auskennen.

## 1.0 PRODUKTANWENDUNG

- 1.1 VERWENDUNGSZWECK:** Verankerungsanschlüsse wurden konzipiert, um Verankerungsanschlusspunkte für Absturzsicherungs-<sup>1</sup> oder Absturzrückhaltesysteme<sup>2</sup> zu bieten: Rückhalte-, Arbeitspositionierungs-, Personenseilfahrt-, Rettungssysteme usw.

**Nur Absturzsicherung:** Dieses Anschlaghilfsmittel dient als Verbindungselement für die Absturzsicherung. Befestigen Sie an diesem Anschlaghilfsmittel keine Hebeausrüstung.

- 1.2 NORMEN:** Das Anschlaghilfsmittel entspricht den nationalen oder regionalen Normen, die auf der Vorderseite dieses Handbuchs angegeben sind. Wenn dieses Produkt außerhalb des ursprünglichen Bestimmungslandes wiederverkauft wird, muss der Wiederverkäufer diese Anweisungen in der Sprache des Landes zur Verfügung stellen, in dem das Produkt verwendet werden wird.
- 1.3 ÜBERWACHUNG:** Die Installation dieser Ausrüstung muss durch eine qualifizierte Person überwacht werden<sup>3</sup>. Die Verwendung dieser Ausrüstung muss durch einen Sachkundigen überwacht werden<sup>4</sup>.
- 1.4 TRAINING:** Die Ausrüstung muss von Personen, die in der richtigen Anwendung geschult sind, installiert und verwendet werden. Dieses Handbuch ist im Rahmen eines Trainingsprogramms für Mitarbeiter, wie es von CE gefordert wird, zu verwenden. Es unterliegt der Verantwortung der Benutzer und Installateure dieser Ausrüstung, sicherzustellen, dass sie mit diesen Anweisungen vertraut sind und bezüglich korrekter Pflege und Einsatzweise geschult wurden. Zudem müssen sie die Betriebsmerkmale, Anwendungseinschränkungen und die Folgen eines nicht ordnungsgemäßen Gebrauchs dieser Ausrüstung kennen.
- 1.5 RETTUNGSPLAN:** Beim Verwenden dieser Ausrüstung und dem Anschließen der Teilsysteme muss der Arbeitgeber über einen Rettungsplan und die Mittel zu dessen Durchführung verfügen. Außerdem muss er den Plan den Benutzern, den zuständigen Fachkräften<sup>5</sup> und den Rettungskräften<sup>6</sup> übermitteln. Ein ausgebildetes internes Rettungsteam wird empfohlen. Die Teammitglieder sind mit den nötigen Geräten und Techniken für eine erfolgreiche Rettung auszustatten. Ein regelmäßiges Training ist erforderlich, damit die Befähigung des Rettungsteams stets gewährleistet ist.
- 1.6 INSPEKTIONSHÄUFIGKEIT:** Das Anschlaghilfsmittel muss vom Anwender vor jeder Benutzung und zusätzlich mindestens jährlich von einem Sachkundigen, der nicht der Anwender ist, inspiziert werden.<sup>7</sup> Die Inspektionsverfahren werden im „Inspektions- und Wartungsprotokoll“ beschrieben. Tragen Sie die Ergebnisse jeder Inspektion durch einen Sachkundigen in das „Inspektions- und Wartungsprotokoll“ ein.
- 1.7 NACH EINEM STURZ:** Wenn das Anschlaghilfsmittel den Kräften eines abgefangenen Absturzes ausgesetzt war, muss es sofort aus dem Betrieb genommen und vernichtet werden.

## 2.0 SYSTEMVORAUSSETZUNGEN

- 2.1 VERANKERUNG:** Die Anforderungen an die Verankerung variieren mit der Absturzsicherung. Strukturen, an denen das Anschlaghilfsmittel angebracht oder an denen dieses befestigt ist, müssen die in Tabelle 1 definierten Verankerungsspezifikationen erfüllen.
- 2.2 PERSÖNLICHE SCHUTZAUSRÜSTUNG GEGEN ABSTURZ (PSAGA):** Abbildung 1 stellt die Anwendung dieses Anschlaghilfsmittels dar. Die mit diesem System verwendeten persönlichen Schutzausrüstungen gegen Absturz (PSAGA) müssen geltende Absturzsicherungsnormen, -codes und -anforderungen erfüllen. Sehen Sie die Anweisungen, die mit dem Verbindungsmittel oder SRD für Begrenzungen eines freien Falls mitgeliefert werden. Die PSAGA muss einen Auffanggurt umfassen und die maximale Bremskraft (MAF) auf die folgenden Werte begrenzen:

	ANSI/OSHA	CE
PSAGA mit Verbindungsmittel mit Falldämpfer	4 kN (900 lb)	6 kN (1.350 lb)
PSAGA mit Selbsteinzugsvorrichtung	4 kN (900 lb)	6 kN (1.350 lb)

- 2.3 FALLSTRECKE UND ARRETIERUNGSGESCHWINDIGKEIT DES HÖHENSICHERUNGSGERÄTS:** Eine freie Fallstrecke ist erforderlich, damit ein sicheres Arretieren eines Höhensicherungsgeräts gewährleistet ist. Eine ungehinderte Fallstrecke sollte stets gewährleistet sein. Bei der Arbeit auf beschränktem oder beengtem Raum erreicht der Körper möglicherweise keine ausreichende Geschwindigkeit, um im Falle eines Absturzes eine Arretierung des SRD auszulösen. Bei Arbeiten auf langsam verrutschendem Material, wie Sand oder Korn, wird unter Umständen keine ausreichend hohe Fallgeschwindigkeit erreicht, um eine Arretierung des SRD auszulösen.
- 2.4 GEFAHREN:** Die Verwendung dieser Ausrüstung in Bereichen mit Umweltgefahren kann zusätzliche Sicherheitsmaßnahmen erfordern, um die Verletzungsgefahr und Schäden an der Ausrüstung zu vermeiden. Zu den Gefahren zählen unter anderem: Hitze, Chemikalien, korrosive Umgebungen, Hochspannungsleitungen, explosive oder

- 1 Absturzsicherungssystem:** Eine Sammlung von Absturzsicherungsausrüstungen, die so konfiguriert sind, dass sie einen freien Fall stoppen.
- 2 Absturzrückhaltesystem:** Eine Sammlung von Absturzsicherungsausrüstung, die durch ihre Konfiguration verhindert, dass der Schwerpunkt der Person eine Absturzgefahr erreicht.
- 3 Qualifizierte Person:** Eine Person mit einem anerkannten Diplom oder einem professionellen Abschluss und umfangreicher Erfahrung in der Absturzsicherung. Diese Person muss sich in Absturzsicherungs-Design, -Analyse, -Bewertung und -Spezifikation auskennen.
- 4 Sachkundiger:** Eine Person, die in der Lage ist, bestehende und vorhersehbare Risiken in der Umgebung oder bei Arbeitsbedingungen zu erkennen, die für Mitarbeiter gesundheitsgefährdend, gefährlich oder risikoreich sind, und die befugt ist, sofort korrigierende Maßnahmen zu ergreifen, um diese Risiken und Gefährdungen zu beseitigen.
- 5 Autorisierte Fachkraft:** Für Zwecke der Z359-Normen eine Person, die vom Arbeitgeber dazu bestimmt ist, Aufgaben an einem Ort auszuführen, an dem sie einer Absturzgefahr ausgesetzt ist.
- 6 Rettungskraft:** Person oder Personen außer der verunfallten Person, die mithilfe technischer Rettungs- und Bergungsmittel eine Rettungs- bzw. Bergungsaktion vornehmen.
- 7 Inspektionshäufigkeit:** Extreme Arbeitsbedingungen (raue Umweltbedingungen, andauernde Verwendung usw.) können eine häufigere Inspektion durch einen Sachkundigen erforderlich machen.

giftige Gase, bewegliche Maschinen, scharfe Kanten oder überhängiges Material, das herunterfallen und den Anwender oder das Absturzsystem treffen kann.

- 2.5 FALLRAUM:** Abbildung 3 zeigt die Komponenten eines Absturzsystemes. Es muss ein ausreichender Fallraum vorhanden sein, um einen Absturz zu bremsen, bevor der Benutzer auf den Boden oder andere Hindernisse auftrifft. Der Fallraum wird durch eine Reihe von Faktoren beeinflusst, darunter: Ort der Verankerung, (A) Länge des Verbindungsmittels, (B) Verzögerungsdistanz des Verbindungsmittels oder maximaler Bremsweg des SRDs, (C) Auffanggurt-Dehnung und Länge und Setzung der Auffangöse/des Verbindungselements (in der Regel ein Sicherheitsfaktor von 1 m). Einzelheiten bezüglich der Berechnung des Fallraums entnehmen Sie bitte der Gebrauchsanweisung, die dem Absturzsystem beiliegt.
- 2.6 PENDELSTURZ:** Zu Pendelstürzen kommt es, wenn sich der Verankerungspunkt nicht direkt über dem Punkt befindet, an dem sich der Fall ereignet (siehe Abbildung 4). Die Kraft des Aufpralls auf ein Objekt bei einem Pendelsturz kann zu schweren Verletzungen oder zum Tod führen. Minimieren Sie Pendelstürze, indem Sie so nahe wie möglich am Verankerungspunkt arbeiten. Lassen Sie keinen Pendelsturz zu, wenn es dabei zu Verletzungen kommen könnte. Pendelstürze erfordern einen deutlich höheren Abstand, wenn ein Sicherungsseil mit automatischem Rückzug oder ein anderes Teilsystem mit variabler Länge verwendet wird.
- 2.7 KOMPATIBILITÄT DER KOMPONENTEN:** Die Ausrüstung von 3M ist nur zur Verwendung mit den von 3M freigegebenen Komponenten und Subsystemen ausgelegt. Ein Austausch gegen nicht genehmigte Bauteile oder Teilsysteme kann die Kompatibilität der Ausrüstung und die Sicherheit und Zuverlässigkeit des gesamten Systems gefährden.
- 2.8 KOMPATIBILITÄT DER VERBINDUNGSELEMENTE:** Verbindungsmittel sind mit Verbindungselementen kompatibel, wenn sie in Größe und Form so konzipiert sind, dass sie zusammenarbeiten, ohne dass sich ihre Verschlussmechanismen versehentlich öffnen, unabhängig davon, wie sie ausgerichtet sind. Kontaktieren Sie 3M, wenn Sie Fragen zur Kompatibilität haben.

Verbindungselemente (Haken, Karabiner und Auffangösen) müssen einer Belastung von mindestens 22,2 kg (5.000 lbs). Die Verbindungselemente müssen mit der Verankerung oder anderen Systemkomponenten kompatibel sein. Verwenden Sie keine Ausrüstung, die nicht kompatibel ist. Nicht kompatible Verbindungselemente können sich versehentlich lösen (siehe Abbildung 5). Die Verbindungselemente müssen in Größe, Form und Belastbarkeit kompatibel sein. Wenn das Verbindungselement, an das der Karabiner angeschlossen wird, zu klein ist oder eine unregelmäßige Form aufweist, kann es dazu kommen, dass das Verbindungselement Druck auf den Verschluss des Karabiners (A) ausübt. Dieser Druck kann dazu führen, dass sich der Verschluss öffnet (B), sodass sich der Karabiner vom Verbinderpunkt (C) löst.

Nach ANSI Z359 (US-amerikanisches Normungsinstitut, American National Standards Institute) und der Bundesbehörde der Vereinigten Staaten für Arbeitssicherheit (Occupational Safety and Health Administration, OSHA) sind selbstschließende Karabiner erforderlich.

- 2.9 ANSCHLAGEN:** Verwenden Sie mit dieser Ausrüstung nur Schnapphaken und Karabiner. Stellen Sie sicher, dass alle Verbindungen bezüglich Größe, Form und Stärke kompatibel sind. Verwenden Sie keine Ausrüstung, die nicht kompatibel ist. Vergewissern Sie sich, dass alle Verbindungselemente vollständig geschlossen und verriegelt sind.
- Verbindungselemente von 3M (Schnapphaken und Karabiner) dürfen nur wie in der Bedienungsanleitung des jeweiligen Produktes angegeben verwendet werden. Abbildung 6 zeigt Beispiele für falsche Verbindungen. Schnapphaken und Karabiner dürfen nicht wie folgt befestigt werden:
- An einem D-Ring, an dem ein anderes Verbindungsmittel befestigt ist.
  - Auf eine Weise, die den Verschluss belastet. Karabinerhaken mit großer Maulöffnung sollten an Auffangösen oder ähnliche Objekte in Standardgröße nicht angeschlossen werden, da der Verschluss sonst belastet wird, wenn der Haken oder die Auffangöse sich dreht. Ausnahme: Der Karabinerhaken verfügt über einen Verschluss, der einer Belastung von 16 kN (3.600 lbs) standhält. Überprüfen Sie die Markierung auf Ihrem Schnapphaken, um sicherzustellen, dass er die Voraussetzungen für die Anwendung erfüllt.
  - An einem falschen Rasthaken, wenn Teile des Karabinerhakens vorstehen, die sich in der Verankerung verfangen können, und ohne dass visuell geprüft werden kann, ob der Verbindungselement voll in der Verankerung eingerastet ist.
  - Aneinander.
  - Direkt an einem Gurtband, Verbindungsseil oder Zugband (außer es ist laut Anweisungen des Herstellers ausdrücklich erlaubt, die Verbindungsmittel auf diese Weise anzuschließen).
  - An ein Objekt, das eine Größe und Form aufweist, die das Öffnen oder Schließen des Schnapphakens oder Karabiners verhindern würde, oder die dazu führt, dass sich der Haken löst.
  - Auf eine Weise, in der sich das Verbindungsmittel unter Last nicht richtig ausrichten kann.

### 3.0 EINBAU

Für einen zertifizierten Verankerungspunkt muss die Struktur, an der der Verankerungsanschluss angebracht wird, von einer qualifizierten Person entworfen oder bewertet werden<sup>1</sup>. Ein nicht zertifizierter Verankerungspunkt kann von einer kompetenten Person genehmigt werden<sup>2</sup> (siehe Tabelle 1).

- 3.1 PLANUNG:** Planen Sie Ihr Fallschutzsystem vor der Montage des Türpfostenankers. Berücksichtigen Sie alle Faktoren, die die Sicherheit des Benutzers vor, während und nach einem Absturz beeinträchtigen könnten. Beachten Sie alle in Abschnitt 2 und Tabelle 1 beschriebenen Anforderungen, Einschränkungen und Spezifikationen.
- 3.2 INSTALLATION DES TÜRPFOSTENANKERS:** Der Türpfostenanker kann in jeden Tür- oder Fensterpfosten mit der zulässigen Mindest- und Höchstbreite eingebaut werden, die die angegebenen Verankerungsanforderungen erfüllen (siehe Tabelle 1). Abbildung 7 zeigt die Installation des Türpfostenankers. Zur Installation des Türpfostenankers:
1. Den Türpfostenanker zur Anpassung an die gewünschte Öffnung ausrichten; dazu den Grobeinstellstift entfernen und das einstellbare Bein an die Auffangöse schieben. Den Feineinstellknopf gegen den Uhrzeigersinn drehen, bis der Fuß fest an dem Stützrohr anliegt.
  2. Den Pfostenanker in die Tür- oder Fensteröffnung setzen, mit dem D-Ring hin zum Bereich, wo die Arbeit durchgeführt wird. Das einstellbare Bein kann entweder an der linken oder der rechten Seite der Öffnung platziert werden. Der Pfostenanker muss an der Unterseite der Fenster- oder Türöffnung sitzen. Der Pfostenanker darf nicht in einer Position installiert werden, wo er nicht an der Schwelle oder am Fensterbrett ruhen würde.
  3. Das einstellbare Bein so nahe wie möglich an den Tür- bzw. Fensterpfosten schieben und den Grobeinstellstift in nächstliegenden Satz von Anpassungslöchern einsetzen. Den Anker fest in der Tür oder im Fenster durch Festziehen des Feineinstellknopfes sichern. Der Türpfostenanker muss nach der Installation fest und sicher sitzen.

### 4.0 EINSATZ

- 4.1 VOR JEDEM EINSATZ:** Stellen Sie sicher, dass Ihr Arbeitsbereich und Ihre Persönliche Schutzausrüstung gegen Absturz (PSAgA) alle Kriterien erfüllen, die in Abschnitt 2 definiert sind, und dass ein formeller Rettungsplan vorhanden ist. Prüfen Sie den Türpfostenanker anhand der „Benutzer“-Inspektionspunkte, die im „Inspektions- und Wartungsprotokoll“ (Tabelle 2) definiert sind. Wenn bei der Inspektion Unsicherheiten oder Defekte festgestellt werden, verwenden Sie das System nicht. Nehmen Sie das System außer Betrieb und zerstören Sie es oder wenden Sie sich an 3M, um einen Austausch oder eine Reparatur zu veranlassen.
- 4.2 ABSTURZSICHERUNGSVERBINDUNGEN:** Der Türpfostenanker wird mit einem Ganzkörper-Auffanggurt und einem Energieabsorber-Verbindungsmittel oder einer Selbsteinzugsvorrichtung (SRD) verwendet. Abbildung 8 zeigt eine Verbindung des Verbindungsmittels (A) oder des SRDs (B) zwischen Auffanggurt und Türpfostenanker. Verbinden Sie das Verbindungsmittel oder SRD zwischen der Auffangöse an dem Türpfostenanker und der hinteren Auffangöse am Auffanggurt, wie in den Anweisungen im Lieferumfang des Verbindungsmittels oder SRDs beschrieben.

**Sicherer Arbeitsbereich:** Abbildung 8 stellt den sicheren Arbeitsbereich für den Türpfostenanker dar. Es sollte niemals in einem horizontalen Winkel von mehr als 30° zur Senkrechten der Oberfläche des Türpfostenankers gearbeitet werden, um eine unzulässige Belastung des Verankerungsanschlusspunktes zu vermeiden (siehe Abbildung 2). Niemals an einer Position oberhalb oder unterhalb der Verankerungsanschlusspunkte arbeiten, die die in Abbildung 2 dargestellten vertikalen Lastanforderungen überschreiten.

### 5.0 INSPEKTION

- 5.1 INSPEKTIONSHÄUFIGKEIT:** Der Türpfostenanker muss in den in Abschnitt 1 festgelegten Abständen geprüft werden. Die Inspektionsaktivitäten werden im „Inspektions- und Wartungsprotokoll“ (Tabelle 2) beschrieben. Inspizieren Sie alle anderen Bauteile des Absturzsicherungssystems in den Zeitabständen und nach den Verfahren, die in den Herstelleranleitungen definiert sind.

**RFID-Tag:** Türpfostenanker sind mit einem Funkfrequenz-Identifikations-Etikett (RFID) ausgestattet. Das RFID-Etikett kann in Verbindung mit einem tragbaren Lesegerät dazu verwendet werden, die Überprüfung und Bestandskontrolle zu erleichtern und Aufzeichnungen über Ihre Absturzsicherungsausrüstung bereitzustellen.

- 5.2 DEFEKTE:** Falls bei der Inspektion ein Sicherheitsproblem oder ein Defekt festgestellt wird, nehmen Sie den Türpfostenanker unverzüglich außer Betrieb und kontaktieren Sie 3M, um eine Reparatur oder einen Austausch zu veranlassen. Versuchen Sie nicht, das Absturzsicherungssystem zu reparieren.

**Nur autorisierte Reparaturen:** Nur 3M oder Dritte, die hierzu schriftlich autorisiert sind, dürfen Reparaturen an dieser Ausrüstung vornehmen.

- 5.3 PRODUKT-LEBENSZYKLUS:** Die Haltbarkeit des Absturzsicherungssystems wird von den Arbeitsbedingungen und der Wartung bestimmt. Solange das Produkt die Inspektionskriterien erfüllt, kann es in Betrieb bleiben.

### 6.0 WARTUNG, REPARATUR UND LAGERUNG


- 6.1 REINIGUNG:** Reinigen Sie die Metallbauteile des Türpfostenankers regelmäßig mit einer weichen Bürste, warmem Wasser und einer milden Seifenlösung. Stellen Sie sicher, dass die Teile sorgfältig mit viel klarem Wasser gespült werden.
- 1 Qualifizierte Person:** Eine Person mit einem anerkannten Diplom oder einem professionellen Abschluss und umfangreicher Erfahrung in der Absturzsicherung. Diese Person muss sich in Absturzsicherungs-Design, -Analyse, -Bewertung und -Spezifikation auskennen.
- 2 Sachkundiger:** Eine Person, die in der Lage ist, bestehende und vorhersehbare Risiken in der Umgebung oder bei Arbeitsbedingungen zu erkennen, die für Mitarbeiter gesundheitsgefährdend, gefährlich oder risikoreich sind, und die befugt ist, sofort korrigierende Maßnahmen zu ergreifen, um diese Risiken und Gefährdungen zu beseitigen.

**6.2 WARTUNG:** Nur 3M oder Dritte, die hierzu von 3M schriftlich autorisiert sind, dürfen Reparaturen an dieser Ausrüstung vornehmen. Falls der Türpfostenanker Fallkräften ausgesetzt war oder bei der Überprüfung ein Sicherheitsproblem oder ein Defekt festgestellt wird, nehmen Sie das System außer Betrieb und kontaktieren Sie 3M, um eine Reparatur oder einen Austausch zu veranlassen.

**6.3 LAGERUNG UND TRANSPORT:** Lagern Sie den Türpfostenanker und die entsprechende Absturzsicherungsausrüstung bei Nichtgebrauch in einer kühlen, trockenen, sauberen Umgebung, in der diese vor direkter Sonneneinstrahlung geschützt ist. Dies gilt auch für den Transport. Setzen Sie das Produkt keinen chemischen Dämpfen aus. Prüfen Sie die Komponenten nach längerer Lagerung gründlich.

## 7.0 ETIKETTEN

Abbildung 9 zeigt die Etiketten auf dem Türpfostenanker. Etikette müssen ersetzt werden, wenn sie nicht vollständig lesbar sind. Folgende Angaben sind auf jedem Etikett enthalten:

	Lesen Sie alle Anweisungen.
①	<p><b>SPEZIFIKATIONEN:</b> Tragfähigkeit: 1 Person, ANSI max. 140 kg (310 lbs), OSHA max. 190 kg (420 lbs)          Maximale Bremskraft: 8 kN (1.800 lbs)          Materialien: Anker Aluminium, Auffangöse verzinkte Stahllegierung          Normen: Gemäß ANSI Z359.18 Typ A und OSHA 1926.502 u. 1910.140          Minimale Bremskraft: 22 kN (5,000 lbs) MBS          Min. Einsatztemp. gemäß ANSI -40 °C (-40 °F)</p>
②	<p><b>VERWENDUNG:</b> Einzelheiten zum Herstellen der Anschlüsse sind im Benutzerhandbuch beschrieben. Während des Betriebs darf das Sicherungsseil nicht an scharfen Kanten reiben. Es muss vorsichtig vorgegangen werden, wenn dieses Gerät in der Nähe von gefährlichen thermischen, elektrischen oder chemischen Quellen verwendet wird. Weitere Informationen sind im Benutzerhandbuch vorhanden.</p>
③	<p><b>PRÜFUNG:</b> Der Anker muss vor jedem Einsatz geprüft werden. Der Anker sollte mindestens einmal im Monat von einer kompetenten Person gemäß der Bedienungsanleitung geprüft werden. Verwenden Sie diesen nicht, wenn bei der Prüfung Unsicherheiten oder Defekte festgestellt wurden. Darf nicht vom Anwender repariert werden.          Dieses Produkt ist RFID-fähig und enthält ein elektronisches Tag, das von kompatiblen Lesegeräten ausgelesen werden kann, und bietet so Inspektions- und andere Sicherheitsinformationen.</p>
④	<p><b>ZULÄSSIGE LASTRICHTUNGEN:</b> Es sollte niemals in einem horizontalen Winkel von mehr als 30° zur Senkrechten der Oberfläche des Türpfostenankers gearbeitet werden, um eine unzulässige Belastung des Verankerungsanschlusspunktes zu vermeiden. Niemals an einer Position oberhalb oder unterhalb der Verankerungsanschlusspunkte arbeiten, die die vertikalen Lastanforderungen überschreiten.</p>
⑤	<p>Der Türpfosten-/Fensteranker muss an der Unterseite der Fenster- oder Türöffnung installiert werden und auf dem Schweller ruhen. Der Anker kann sich drehen, falls dieser nicht auf der Schwelle ruht. Im belasteten Zustand kann der Anker von der Fenster- oder Türöffnung freikommen. Die Nichteinhaltung der Warnung kann zu schweren Verletzungen oder zum Tod führen.</p>
⑥	CE-Norm und ID der Prüfstelle
⑦	Herstellungsjahr/-monat u. Chargennummer
⑧	<p>Die Anweisungen des Herstellers müssen vor dem Einsatz gelesen und verstanden werden. Zur korrekten Anwendung, Wartung und Inspektion müssen die zusammen mit diesem Produkt gelieferten Anweisungen beachtet werden. Veränderungen oder ein unsachgemäßer Einsatz dieses Produkts oder die Nichtbefolgung der Anweisungen können zu schweren Verletzungen oder zum Tod führen. Verbinden Sie nur kompatible Verbindungselemente. Siehe Benutzerhandbuch.</p>
⑨	Produkt-Modellnummer
⑩	Herstellungsort
⑪	Maximal eine Person
⑫	Einsatztemperaturbereich: -40 °C bis 60 °C
⑬	Inspektionsprotokoll: Datum, Initialen

**Tabelle 2 – Inspektions- und Wartungsprotokoll**

<b>Inspektionsdatum:</b>		<b>Kontrolliert von:</b>	
<b>Bauteile:</b>	<b>Prüfung:</b> (Siehe Abschnitt 1 für <i>Häufigkeit der Kontrollen</i> )	<b>Benutzer</b>	<b>Sachkundiger<sup>1</sup></b>
Türpfostenanker (Abbildung 2)	Prüfen Sie den Türpfostenanker auf Schäden: Suchen Sie nach Rissen, Dellen oder Verformungen. Suchen Sie nach Biegungen oder Abnutzung auf dem Stützrohr, D-Ring und den Anpassungsmechanismen. Stellen Sie sicher, dass keine Teile lose sind oder fehlen.	<input type="checkbox"/>	<input type="checkbox"/>
	Prüfen Sie die Anpassungsmechanismen. Der Grobeinstellstift muss einrasten, wenn dieser durch eines der Einstellungs Löcher eingeführt wird.	<input type="checkbox"/>	<input type="checkbox"/>
	Überprüfen Sie die gesamte Einheit auf Korrosion. Prüfen Sie das Drehmoment an der Feineinstellungsschraube, und ziehen Sie diese gegebenenfalls fest.	<input type="checkbox"/>	<input type="checkbox"/>
Etiketten (Abbildung 10)	Überprüfen Sie, ob alle Etiketten sicher befestigt und lesbar sind (siehe „ <i>Etiketten</i> “)	<input type="checkbox"/>	<input type="checkbox"/>
Verankerungsstruktur	Prüfen Sie den Türrahmen, das Fenster und/oder die Struktur, um sicherzustellen, dass diese alle tragfähig sind und die Festigkeitsanforderungen von Tabelle 1 erfüllen.	<input type="checkbox"/>	<input type="checkbox"/>
PSAgA und andere sonstige Geräte	Eine zusätzliche persönliche Absturzschutzsystem (PSAgA)-Ausrüstung (Auffanggurt, HSG usw.), das mit dem Flexiguard Verankerungssystem verwendet wird, sollte nach den Anweisungen des Herstellers installiert und geprüft werden.	<input type="checkbox"/>	<input type="checkbox"/>

<b>Seriennummer(n):</b>	<b>Kaufdatum:</b>
<b>Modellnummer:</b>	<b>Datum des ersten Einsatzes:</b>
<b>Abhilfemaßnahme/Wartung:</b>	Genehmigt von:
	Datum:
<b>Abhilfemaßnahme/Wartung:</b>	Genehmigt von:
	Datum:
<b>Abhilfemaßnahme/Wartung:</b>	Genehmigt von:
	Datum:
<b>Abhilfemaßnahme/Wartung:</b>	Genehmigt von:
	Datum:
<b>Abhilfemaßnahme/Wartung:</b>	Genehmigt von:
	Datum:
<b>Abhilfemaßnahme/Wartung:</b>	Genehmigt von:
	Datum:
<b>Abhilfemaßnahme/Wartung:</b>	Genehmigt von:
	Datum:
<b>Abhilfemaßnahme/Wartung:</b>	Genehmigt von:
	Datum:
<b>Abhilfemaßnahme/Wartung:</b>	Genehmigt von:
	Datum:
<b>Abhilfemaßnahme/Wartung:</b>	Genehmigt von:
	Datum:
<b>Abhilfemaßnahme/Wartung:</b>	Genehmigt von:
	Datum:
<b>Abhilfemaßnahme/Wartung:</b>	Genehmigt von:
	Datum:

**1 Sachkundiger:** Eine Person, die in der Lage ist, bestehende und vorhersehbare Risiken in der Umgebung oder bei Arbeitsbedingungen zu erkennen, die für Mitarbeiter gesundheitsgefährdend, gefährlich oder risikoreich sind, und die befugt ist, sofort korrigierende Maßnahmen zu ergreifen, um diese Risiken und Gefährdungen zu beseitigen.



## INFORMACIÓN DE SEGURIDAD

ES

Lea, comprenda y cumpla todo lo dispuesto en la información de seguridad contenida en estas instrucciones antes de utilizar este conector de anclaje. **SI NO LO HACE, PUEDE SUFRIR GRAVES LESIONES O LA MUERTE.**

Estas instrucciones deben entregarse al usuario de este equipo. Conserve las instrucciones para futuras consultas.

### Uso previsto:

Este conector de anclaje está pensado para ser utilizado como parte de un completo sistema de protección personal contra caídas.

El empleo en cualquier otra aplicación, entre otras, la manipulación de material, actividades relacionadas de recreo o deportivas, u otras actividades no descritas en las instrucciones del usuario, no está aprobado por 3M y podría provocar lesiones graves o la muerte.

Este dispositivo solo deben usarlo usuarios formados en su utilización en aplicaciones dentro del lugar de trabajo.



## ADVERTENCIA

Este conector de anclaje es parte de un sistema de protección personal contra caídas. Se espera que todos los usuarios se hayan formado completamente en la instalación y el uso seguros de su sistema de protección contra caídas. **El uso indebido de este dispositivo podría ocasionar lesiones graves o la muerte.** Para conseguir un grado adecuado de selección, uso, instalación, mantenimiento, inspección y reparación, consulte estas instrucciones del usuario y todas las recomendaciones del fabricante o contacte con su supervisor o con el servicio técnico de 3M.

- **Para reducir los riesgos asociados con trabajar con un conector de anclaje que, si no se evitan, podrían ocasionar lesiones de gravedad o la muerte:**
  - Inspeccione el dispositivo antes de cada uso, al menos, con una periodicidad anual, y después de que el sistema haya soportado una caída. Realice la inspección según las instrucciones del producto.
  - Si la inspección revela una situación poco segura o algún defecto, retire el dispositivo del servicio, repárelo o reemplácelo, según se indique en estas instrucciones.
  - Todo dispositivo que haya estado sometido a una fuerza de detención de caídas o de impacto deberá ser retirado inmediatamente del servicio y ser destruido.
  - El dispositivo solo podrá instalarse en los sustratos especificados o sobre las estructuras detalladas en las instrucciones del usuario. Las instalaciones y los usos no contemplados en las instrucciones deberán ser aprobados por 3M Fall Protection.
  - El sustrato o la estructura a la que se fije el conector de anclaje debe poder soportar las cargas estáticas especificadas para el anclaje en las orientaciones permitidas en las instrucciones del usuario.
  - Únicamente conecte otros subsistemas de protección contra caídas en el punto del conector de anclaje designado del dispositivo.
  - Antes de taladrar o ajustar, asegúrese de que no hay cables eléctricos, tuberías de gas u otros sistemas críticos integrados que puedan entrar en contacto con el taladro o el dispositivo.
  - Asegúrese de que los sistemas/subsistemas de protección contra caídas montados a partir de componentes hechos por distintos fabricantes son compatibles y cumplen los requisitos de las normas aplicables, incluyendo los ANSI Z359 u otros códigos, normas o requisitos de protección contra caídas aplicables. Consulte siempre con personal cualificado o competente antes de usar estos sistemas.
- **Para reducir los peligros asociados con el trabajo en altura que, si no se evitan, pueden provocar lesiones graves o la muerte:**
  - Asegúrese de que su salud y condición física le permiten resistir con seguridad todas las fuerzas asociadas con el trabajo en altura. Consulte con su médico si tiene alguna pregunta con respecto a su capacidad para utilizar este equipo.
  - Nunca exceda la capacidad de carga de su equipo de protección contra caídas.
  - Nunca exceda la distancia máxima de caída libre de su equipo de protección contra caídas.
  - No utilice ningún equipo de protección contra caídas que haya fallado antes de usarse o no haya pasado otras inspecciones programadas, o si tiene dudas sobre el uso o la idoneidad del equipo para su aplicación. Póngase en contacto con los servicios técnicos de 3M si tiene cualquier pregunta.
  - Algunas combinaciones de subsistemas y componentes pueden perjudicar el funcionamiento del equipo. Use solamente conectores compatibles. Consulte con 3M antes de emplear este equipo con componentes o subsistemas distintos de los descritos en las instrucciones del usuario.
  - Extreme la precaución cuando se encuentre alrededor de maquinaria en movimiento (p. ej., mecanismos de activación superiores de plataformas petrolíferas) o cuando existan riesgos eléctricos, temperaturas extremas, peligros químicos, gases explosivos o tóxicos, bordes afilados o materiales que se encuentren por encima de usted y que podrían caer sobre usted o sobre el equipo de protección contra caídas.
  - Use dispositivos para trabajos en caliente o arco eléctrico cuando trabaje en ambientes a altas temperaturas.
  - Evite superficies y objetos que puedan lesionar al usuario u ocasionar desperfectos al equipo.
  - Asegúrese de que haya una distancia de caída adecuada cuando trabaje en altura.
  - Nunca modifique o altere su equipo de protección contra caídas. Sólo 3M o las partes autorizadas por escrito por 3M tienen permitido reparar el equipo.
  - Antes de usar el equipo de protección contra caídas, asegúrese de que existe un plan de rescate que permita un rápido rescate si se produce un incidente de caída.
  - Si hubiese un incidente de caída, busque atención médica inmediatamente para el trabajador que se haya caído.
  - No utilice un cinturón corporal para las aplicaciones de detención de caídas. Use solamente un arnés de cuerpo completo.
  - Trabaje en un lugar situado lo más directamente posible por debajo del punto de anclaje para minimizar la posibilidad de caídas con balanceo.
  - Si se está formando con este dispositivo, se debe utilizar un sistema de protección contra caídas secundario de manera que no exponga al aprendiz a un riesgo de caída involuntaria.
  - Lleve siempre el equipo de protección individual apropiado cuando instale, use o inspeccione el dispositivo/sistema.

Antes de instalar y utilizar este equipo, anote los datos identificativos del producto indicados en la etiqueta de identificación en el "Registro de inspección y mantenimiento" (Tabla 2), dispuesta al final de este manual.

### DESCRIPCIÓN DEL PRODUCTO:

La Figura 1 muestra el anclaje de marco de puerta de 3M™ DBI-SALA™. El anclaje de marco de puerta es un conector de anclaje de un solo punto que se instala en la abertura de una puerta o ventana.

La Figura 2 muestra los componentes del anclaje de marco de puerta. Consulte la Tabla 1 para ver las especificaciones. El anclaje de marco de puerta se compone de un brazo de soporte (A) con un ramal fijo (B) y con un ramal ajustable (C) que se desliza a lo largo del brazo de soporte para ajustarse a la abertura de la puerta o ventana. El ramal ajustable cuenta con orificios para pasadores y con un pasador (D) de ajuste. Cuando el ramal ajustable se fija en su sitio, se aprieta la perilla con pie enrosicable (E) para fijar el anclaje de marco de puerta en la abertura de la puerta/ventana. La anilla D (F) del brazo de soporte sirve como punto de conexión para una eslinga o un dispositivo autorretráctil (SRD).

**Tabla 1: especificaciones**

Especificaciones del sistema:			
<b>Capacidad:</b>	<b>ANSI/CE:</b> 1 Persona con un peso combinado (ropa, herramientas, etc.) de no más de 140 kg (310 lb). <b>OSHA:</b> Una persona con un peso combinado (ropa, herramientas, etc.) de no más de 190 kg (420 lb)		
<b>Resistencia del anclaje:</b>	<b>ANSI/OSHA</b>	<b>Detención de caídas:</b> La estructura a la que está unido el conector de anclaje deberá sostener cargas estáticas, aplicadas en las direcciones permitidas por el sistema de detención de caídas, de al menos: 16 kN (3600 lb) con certificación de personal cualificado <sup>1</sup> ; o 22 kN (5000 lb) sin certificación. Cuando se fija más de un sistema personal de protección contra caídas (PFAS) a un anclaje, estas cargas estáticas se deben multiplicar por el número de PFAS fijado al anclaje.	
	<b>CE EN795</b>	<b>Estructura del anclaje:</b> la estructura a la que se monta el conector de anclaje debe poder sostener la fuerza en las direcciones previstas de carga. Cada ubicación de punto de anclaje debe poder soportar cargas de 12 kN (2698 lb).	
<div style="border: 1px solid black; padding: 5px;"> <input checked="" type="checkbox"/> <b>1926.500 y 1910.66 de OSHA:</b> Los anclajes utilizados para la fijación a un sistema personal de detención de caídas (PFAS) deben ser independientes de los utilizados para soportar o suspender plataformas, y deben soportar al menos 22 kN (5000 lb) por cada usuario enganchado; o diseñarse, instalarse y utilizarse como parte de un sistema PFAS completo con un coeficiente de seguridad de al menos 2 y que se encuentre supervisado por una persona cualificada<sup>2</sup>.         </div>			
<b>Temperatura de servicio:</b>	-40 °C ( -40 °F)		
<b>Resistencia a la ruptura del conector de anclaje</b>	22,2 kN (5000 lb) Resistencia de ruptura mínima		
<b>Ancho de marco de ventana/puerta:</b>	Véase la Figura 1: Ancho mínimo: 54,6 cm (1,5 in), Ancho máximo: 129,5 cm (51 in)		
<b>Dimensiones del producto:</b>	Consulte la Figura 1		
<b>Peso del producto:</b>	6,3 kg (14 lb)		
Especificaciones de componentes:			
Referencia de la Figura 2	Componente	Materiales	Notas
(A)	Brazo de soporte	Aluminio	
(B)	Ramal fijo	Brazo - Aluminio Pie - Acero Almohadilla - Goma	
(C)	Ramal ajustable	Aluminio	
(D)	Pasador de ajuste	Acero	
(E)	Perilla de ajuste	Perilla - Acero Tornillo - Acero Pie - Acero Almohadilla - Goma	
(F)	Anilla D	Aleación de acero	Carga de rotura 22,2 kN (5000 libras)

**1 Personal cualificado:** personas debidamente cualificadas o con certificación profesional y experiencia suficiente en sistemas de protección anticaídas. Estas personas deberán ser capaces de diseñar, analizar, evaluar y especificar sistemas de protección anticaídas.

## 1.0 APLICACIÓN DEL PRODUCTO

- 1.1 PROPÓSITO:** Los conectores de anclaje están diseñados para proporcionar puntos de conexión de anclaje para sistemas de retención de caídas<sup>1</sup> o detención de caídas<sup>2</sup>: Retención, Posicionamiento de trabajo, Desplazamiento de personal, Rescate, etc.

**Solo protección anticaídas:** Este conector de anclaje está indicado para la sujeción de equipo de protección anticaídas. No conecte ningún equipo de elevación a este conector de anclaje.

- 1.2 NORMAS:** Su conector de anclaje cumple con la(s) norma(s) naciona(les) o regional(es) identificada(s) en la portada de estas instrucciones. Si se revende este producto fuera del país de destino original, el revendedor debe proporcionar estas instrucciones en el idioma del país en donde se utilizará el producto.
- 1.3 SUPERVISIÓN:** La instalación de este equipo la debe supervisar personal cualificado<sup>3</sup>. El uso de este equipo lo debe supervisar una persona competente<sup>4</sup>.
- 1.4 FORMACIÓN:** Este equipo lo deben instalar y utilizar personas que hayan recibido formación sobre su correcta aplicación. Este manual se debe utilizar dentro de un programa de formación de personal tal y como exige la CE. Es responsabilidad de los usuarios e instaladores de este equipo familiarizarse con estas instrucciones, formarse en cuanto al cuidado y uso correcto del mismo, y conocer a fondo las características de funcionamiento, las limitaciones de uso y las consecuencias del uso incorrecto de este equipo.
- 1.5 PLAN DE RESCATE:** Cuando utilice este equipo y los subsistemas de conexión, la empresa debe contar con un plan de rescate y los medios necesarios para implementarlo e informar a los usuarios, las personas autorizadas<sup>5</sup> y los responsables del rescate acerca del plan<sup>6</sup>. Se recomienda tener en el centro un equipo de rescate con formación. Se deben proporcionar a los miembros del equipo las técnicas y el equipo para llevar a cabo un rescate con éxito. Se debe proporcionar de forma periódica formación a los responsables del rescate para garantizar su competencia.
- 1.6 FRECUENCIA DE INSPECCIÓN:** El usuario debe revisar el conector de anclaje antes de cada uso y, adicionalmente, debe revisarlo también una persona competente que no sea el usuario, en intervalos no superiores a un año.<sup>7</sup> Los procedimientos de inspección se describen en el "Registro de inspección y mantenimiento". Los resultados de la inspección de cada persona competente deben registrarse en copias del "Registro de inspección y mantenimiento".
- 1.7 DESPUÉS DE UNA CAÍDA:** Si el conector de anclaje queda expuesto a las fuerzas de una caída, se debe dejar de usar de inmediato y desecharse.

## 2.0 REQUISITOS DEL SISTEMA

- 2.1 ANCLAJE:** Los requisitos de anclaje varían con la aplicación de protección contra caídas. La estructura sobre la que se coloca o instala el conector de anclaje debe cumplir las especificaciones de anclaje definidas en la Tabla 1.
- 2.2 SISTEMA PERSONAL DE DETENCIÓN DE CAÍDAS:** la Figura 1 ilustra la aplicación de este conector de anclaje. Los sistemas personales de detención de caídas (PFAS) usados con este equipo deben cumplir los requisitos, códigos y estándares aplicables para protección anticaídas. Consulte las instrucciones incluidas con su eslinga o SRD para las limitaciones de caída libre. El PFAS deberá incorporar un arnés de cuerpo completo y limitar la fuerza máxima de detención (Maximum Arresting Force, MAF) a los siguientes valores:

	ANSI/OSHA	CE
PFAS con eslinga de absorción de impacto	900 lb (4 kN)	6 kN (1350 libras)
PFAS con dispositivo autorretráctil	900 lb (4 kN)	6 kN (1350 libras)

- 2.3 TRAYECTORIA DE CAÍDA Y VELOCIDAD DE BLOQUEO DEL SRD:** Es necesario un trayecto sin obstáculos para garantizar un bloqueo correcto de un SRD. Se deben evitar las situaciones que no permitan un trayecto de caída sin obstrucciones. Trabajar en espacios confinados o estrechos puede hacer que el cuerpo no alcance suficiente velocidad para provocar el bloqueo del SRD en caso de producirse una caída. Es posible que al trabajar sobre materiales de desplazamiento lento, como arena o grano, no se alcance la velocidad suficiente para provocar el bloqueo del SRD.
- 2.4 PELIGROS:** El uso de este equipo en zonas con peligros en el entorno puede requerir precauciones adicionales para evitar que se produzcan lesiones personales o daños al equipo. esos peligros son, entre otros: el calor, los agentes químicos, los ambientes corrosivos, líneas de alta tensión, gases explosivos o tóxicos, maquinaria en movimiento y bordes afilados, o bien materiales que puedan caer y golpear al usuario o al sistema de detención de caídas.
- 2.5 DISTANCIA DE CAÍDA:** La figura 3 ilustra los componentes de un sistema de detención de caídas. Debe haber una distancia de caída suficiente para detener la caída antes de que el usuario llegue al suelo o se golpee con otro obstáculo. La distancia se ve afectada por una serie de factores, incluidos: Ubicación del anclaje, (A) Longitud de la eslinga, (B) distancia de desaceleración de la eslinga o distancia de detención máxima del SRD, (C) estirado del arnés y fijación y longitud del conector/anilla D (normalmente un factor de seguridad de 1 m). Consulte las instrucciones específicas sobre el cálculo de la distancia de caída incluidas con el subsistema de detención de caídas.
- 2.6 CAÍDAS POR BALANCEO:** las caídas por balanceo se pueden producir cuando el punto de anclaje no está directamente por encima del punto donde se produce una caída (consulte la figura 4). La fuerza del golpe contra un objeto en una caída por balanceo puede causar lesiones graves, incluso la muerte. Trabaje en un lugar situado lo más directamente posible por debajo del punto de anclaje para minimizar la posibilidad de caídas con balanceo. No permita que ocurra una caída por balanceo si pudiera ser causa de lesiones. Las caídas por balanceo incrementarán considerablemente la distancia necesaria cuando se utiliza un dispositivo autorretráctil u otro subsistema de conexión de longitud variable.

**1 Sistema de detención de caídas:** Una colección de Equipos de protección contra caídas configurados para detener una caída libre.

**2 Sistema de retención de caídas:** Una colección de Equipos de protección contra caídas configurados para evitar que el centro de gravedad de la persona alcance un riesgo de caída.

**3 Personal cualificado:** Individuos debidamente cualificados o con certificación profesional y experiencia suficiente en sistemas de protección anticaídas. Estas personas deberán ser capaces de diseñar, analizar, evaluar y especificar sistemas de protección anticaídas.

**4 Persona competente:** Individuo que es capaz de identificar peligros existentes y predecibles en el entorno o condiciones de trabajo insalubres, nocivas o peligrosas para los/las empleados/as y que cuenta con autorización para tomar medidas correctivas rápidas conducentes a su supresión.

**5 Persona autorizada:** Para las finalidades de las normas Z359, una persona asignada por la empresa para realizar tareas en una ubicación donde la persona estará expuesta a riesgo de caída.

**6 Rescatador:** persona o personas, que no sean el sujeto que se pretende rescatar, que actúan para realizar un rescate asistido mediante un sistema de rescate.

**7 Frecuencia de inspección:** Las condiciones de trabajo extremas (entornos hostiles, uso prolongado, etc.) hacen que sea necesario aumentar la frecuencia de las inspecciones que realizan las personas competentes.

**2.7 COMPATIBILIDAD DE COMPONENTES:** El equipo 3M está diseñado para su uso solo con componentes y subsistemas aprobados por 3M. Las sustituciones que se hagan con componentes o subsistemas no aprobados pueden poner en peligro la compatibilidad del equipo y afectar a la seguridad y fiabilidad de todo el sistema.

**2.8 COMPATIBILIDAD DE LOS CONECTORES:** Los conectores se consideran compatibles con los elementos de conexión cuando, sin importar cómo queden orientados, se han diseñado para trabajar en conjunto de manera que sus tamaños y formas no provoquen que sus mecanismos de apertura se abran inesperadamente. Póngase en contacto con 3M si tiene alguna duda sobre compatibilidad.

Los conectores (ganchos, mosquetones y anillas en D) deben poder sostener al menos 22,2 kN (5000 libras). Los conectores deben ser compatibles con el anclaje y los demás componentes del sistema. No utilice equipos que no sean compatibles. Los conectores no compatibles pueden desengancharse de manera accidental (consulte la figura 5). Los conectores deben ser compatibles en tamaño, forma y resistencia. Si el elemento conector al que se acopla un mosquetón con cierre automático o un mosquetón es más pequeño de lo normal o tiene forma irregular, puede suceder que el elemento conector ejerza una fuerza sobre el mecanismo de apertura del mosquetón con cierre automático o el mosquetón (A). Esta fuerza puede hacer que el mecanismo de apertura se abra (B) y permitir que el mosquetón con cierre automático o el mosquetón se desenganchen del punto de conexión (C).

Los ganchos y mosquetones con autobloqueo son un requisito para ANSI Z359 y OSHA.

**2.9 HACER CONEXIONES:** Los mosquetones con cierre automático y mosquetones que haya que usar con este equipo deben ser de autobloqueo. Asegúrese de que todas las conexiones sean compatibles en tamaño, forma y resistencia. No utilice equipos que no sean compatibles. Asegúrese de que todos los conectores estén totalmente cerrados y bloqueados.

Los conectores 3M (mosquetones con cierre automático y mosquetones) están diseñados para usarse solo como se indica en las instrucciones del usuario del producto. Consulte la figura 6 para ver ejemplos de conexiones incorrectas. No conecte mosquetones con cierre automático y mosquetones:

- A. A una anilla D que tenga otro conector acoplado.
- B. De algún modo que dé como resultado una carga sobre el mecanismo de apertura. Los mosquetones con cierre automático de apertura grande no deben conectarse a anillas en D de tamaño estándar o a objetos similares, pues ello daría como resultado una carga sobre el gancho si el mosquetón o la anilla en D se torciera o girara, a menos que el mosquetón con cierre automático venga equipado con un gancho de 16 kN (3600 libras). Compruebe las marcas del mosquetón con cierre automático para verificar que es adecuado para su aplicación.
- C. En un acoplamiento en falso, donde los elementos que se proyectan desde el mosquetón con cierre automático o el mosquetón se enganchan al anclaje y, sin confirmación visual, parecieran estar completamente acoplados al punto de anclaje.
- D. Entre sí.
- E. Directamente al tejido o eslinga de cuerda o al cabo (a menos que las instrucciones del fabricante tanto para la eslinga como para el conector permitan específicamente esta conexión).
- F. A cualquier objeto que tenga una forma o dimensión tal que el mosquetón con cierre automático o el mosquetón no se cierren ni se bloqueen o que puedan soltarse.
- G. De modo que el conector no quede correctamente alineado mientras está soportando carga.

### 3.0 INSTALACIÓN

**Para contar con un punto de anclaje certificado, la estructura a la que se fije el conector de anclaje debe estar diseñada o evaluada por personal cualificado<sup>1</sup>. Un punto de anclaje no certificado puede ser aprobado por una persona competente<sup>2</sup> (consulte la Tabla 1).**

- 3.1 PLANIFICACIÓN:** planifique el sistema de protección contra caídas antes de instalar el anclaje de marco de puerta. Tenga en cuenta todos los factores que podrían afectar a la seguridad del usuario antes, en el transcurso y después de una caída. Considere la totalidad de requisitos, limitaciones y especificaciones que se definen en la sección 2 y en la Tabla 1.
- 3.2 INSTALACIÓN DEL ANCLAJE DE MARCO DE PUERTA:** El anclaje de marco de puerta puede instalarse en cualquier marco de puerta o ventana con las anchuras máximas y mínimas permitidas que cumplan los requisitos específicos del anclaje (consulte la Tabla 1). La Figura 7 muestra la instalación del anclaje de marco de puerta. Para instalar el anclaje de marco de puerta:
1. Ajuste el anclaje de marco de puerta para que entre en la abertura que desee quitando el pasador de ajuste y deslizando el ramal ajustable hacia la anilla D. Gire la perilla de ajuste en sentido contrario a las agujas del reloj hasta que el pie quede tenso contra el brazo de soporte.
  2. Coloque el anclaje de marco de puerta en la abertura de la puerta o ventana con la anilla D mirando a la zona donde se realizará el trabajo. La columna ajustable puede situarse a la izquierda o a la derecha de la abertura. El anclaje del marco de la puerta debe descansar en la parte inferior de la abertura de la ventana o puerta. No intente instalar el anclaje del marco de la puerta en una posición que no sujete el suelo o el alféizar de la ventana.
  3. Deslice el ramal ajustable lo más cerca posible del marco de la ventana o de la puerta e introduzca el pasador de ajuste en los orificios de ajuste más cercanos. Fije el anclaje y encájelo bien en el marco de la puerta o ventana apretando la perilla de ajuste. El anclaje de marco de puerta debe quedar sólido y seguro tras su instalación.

### 4.0 USO

- 4.1 ANTES DE CADA USO:** Asegúrese de que el área de trabajo así como el sistema personal de detención de caídas (PFAS) cumplan todos los criterios definidos en la sección 2 y que se haya implantado un plan de rescate oficial. Revise el anclaje de marco de puerta conforme a los puntos de inspección de "usuario" definidos en el "registro de inspección y mantenimiento" (Tabla 2). No utilice el sistema si la inspección revela un estado no seguro o defectuoso. Deje de usarlo y deséchelo, o póngase en contacto con 3M para sustituirlo o repararlo.
- 4.2 CONECTORES DE DETENCIÓN DE CAÍDAS:** El anclaje de marco de puerta se usa con un arnés de cuerpo entero y una eslinga con absorción de energía o un dispositivo autorretráctil (SRD). La Figura 8 ilustra la conexión de la eslinga (A) o del SRD (B) entre el arnés y el anclaje de marco de la puerta. Conecte la eslinga o el SRD entre la anilla D del anclaje de marco de puerta y la anilla D dorsal en el arnés, conforme a las instrucciones incluidas con la eslinga o el SRD.

**Zona de trabajo segura:** la Figura 8 muestra una zona de trabajo segura para el anclaje de marco de puerta. Nunca trabaje con un ángulo horizontal superior a 30° desde la perpendicular de cara al anclaje de marco de puerta para evitar una carga inapropiada del punto del conector de anclaje (consultar Figura 2). No trabaje nunca en una posición por encima o por debajo de los puntos del conector de anclaje que exceda los requisitos de carga vertical que se muestran en la Figura 2.

### 5.0 INSPECCIÓN

- 5.1 FRECUENCIA DE INSPECCIÓN:** El anclaje de marco de puerta se debe inspeccionar en los intervalos definidos en el apartado 1. Los procedimientos de inspección se describen en el "Registro de inspección y mantenimiento" (Tabla 2). Inspeccione todos los demás componentes del sistema de protección contra caídas según las frecuencias y los procedimientos definidos en las instrucciones de sus respectivos fabricantes.

**Etiqueta de RFID:** los anclajes de marco de puerta están equipados con una etiqueta de identificación por radiofrecuencia (RFID). La etiqueta RFID puede usarse junto con el dispositivo de lectura portátil para simplificar la inspección y el control del inventario y para proporcionar registros relativos a su equipo de protección contra caídas.

- 5.2 DEFECTOS:** si la inspección revela una condición poco segura o defectuosa, deje de usar el anclaje de marco de puerta inmediatamente y póngase en contacto con 3M Fall Protection para repararlo o sustituirlo. No intente reparar el sistema de detención de caídas.

**Solo reparaciones autorizadas:** Solo 3M o las partes autorizadas por escrito podrán reparar este equipo.

- 5.3 VIDA ÚTIL DEL PRODUCTO:** La vida útil del sistema de detención de caídas viene determinada por las condiciones de trabajo y el mantenimiento. Siempre que el producto cumpla los criterios de inspección, este podrá seguir utilizándose.

### 6.0 MANTENIMIENTO, REPARACIÓN Y ALMACENAMIENTO


- 6.1 LIMPIEZA:** limpie los componentes de metal del anclaje de marco de puerta periódicamente con un cepillo suave, agua templada y una solución jabonosa suave. Asegúrese de enjuagar perfectamente las piezas con abundante agua limpia.
- 6.2 SERVICIO:** Solo 3M o las partes autorizadas por escrito por 3M podrán reparar este equipo. Si el anclaje de marco de puerta se ha visto sometido a fuerzas de caída, o si la inspección revela una condición poco segura o defectuosa, deje de usar el sistema inmediatamente y póngase en contacto con 3M para su sustitución o reparación.

- 1 **Personal cualificado:** personas debidamente cualificadas o con certificación profesional y experiencia suficiente en sistemas de protección anticaídas. Estas personas deberán ser capaces de diseñar, analizar, evaluar y especificar sistemas de protección anticaídas.
- 2 **Persona competente:** persona que es capaz de identificar peligros existentes y predecibles en el entorno o condiciones de trabajo insalubres, nocivas o peligrosas para los/las empleados/as y que cuenta con autorización para tomar medidas correctivas rápidas conducentes a su supresión.

**6.3 ALMACENAMIENTO Y TRANSPORTE:** Cuando no estén en uso el anclaje de marco de puerta y el equipo de protección anticaídas correspondiente, transpórtelos a un entorno fresco, seco y limpio, alejado de la luz solar directa, y guárdelos en dicho lugar. Evite las zonas donde pueda haber vapores químicos. Inspeccione exhaustivamente los componentes después de un período prolongado de almacenamiento.

## 7.0 ETIQUETADO

La figura 9 ilustra las etiquetas del anclaje de marco de puerta. Si las etiquetas no son plenamente legibles, deberán sustituirse. La información de las etiquetas es la siguiente:

	Lea todas las instrucciones.
①	<p><b>ESPECIFICACIONES:</b> Capacidad: 1 persona, ANSI máx. 140 kg (310 lb), OSHA máx. 190 kg (420 lb)  Fuerza máxima de detención: 1800 lb  Materiales: Anclaje de aluminio; anilla D de aleación de acero galvanizado  Normas: Cumple con las normas ANSI Z359.18 Tipo A y OSHA 1926.502 y 1910.140  Resistencia de ruptura mínima: 22 kN (5000 lb) MBS  ANSI Temperatura mínima de servicio -40 °C (-40 °F)</p>
②	<p><b>USO:</b> Consulte el manual del usuario para ver más detalles sobre cómo realizar las conexiones. No deje que el anticaídas roce con bordes afilados durante su uso. Tenga cuidado al usar este equipo cerca de fuentes térmicas, eléctricas o químicas peligrosas. Consulte el manual del usuario para obtener más información.</p>
③	<p><b>INSPECCIÓN:</b> Inspeccione el anclaje antes de cada uso. Una persona competente debe inspeccionar el anclaje, como mínimo, una vez al mes, de conformidad con lo dispuesto en el manual del usuario. No utilice el anclaje si la inspección desvela una condición no segura o defectuosa. el debe ser reparado No por usuario  Este producto cuenta con tecnología RFID y con una etiqueta electrónica que puede ser leída por lectores compatibles. Dichas tecnologías facilitan su información de inspección y de seguridad.</p>
④	<p><b>DIRECCIONES DE CARGA PERMITIDAS.</b> Nunca trabaje con un ángulo horizontal superior a 30° desde la perpendicular de cara al anclaje de marco de puerta para evitar una carga inapropiada del punto del conector de anclaje. No trabaje nunca en una posición por encima o por debajo de los puntos del conector de anclaje que exceda los requisitos de carga vertical.</p>
⑤	<p>Este anclaje de marco de puerta/ventana debe instalarse en la parte inferior de la abertura de la ventana o de la puerta, descansando en el umbral. Si el anclaje no descansa en el umbral, puede girar. Cuando esté cargado, no deje que el anclaje interrumpa la abertura de la ventana o de la puerta. Si no tiene en cuenta esta advertencia, podrían producirse heridas graves o la muerte.</p>
⑥	Norma CE e ID del organismo notificado
⑦	Año/Mes de fabricación y número de lote
⑧	<p>Antes del utilizar el producto, deberá leer y comprender bien las instrucciones del fabricante. las instrucciones suministradas con este producto en el momento del envío deben respetarse para un uso, mantenimiento e inspección correctos. La modificación o el uso incorrecto de este producto, así como el incumplimiento de las instrucciones, pueden causar heridas graves o, incluso, la muerte. Realice solo conexiones compatibles. Consulte el manual del usuario.</p>
⑨	Número de modelo del producto
⑩	Localización del fabricante
⑪	Una persona como máximo
⑫	Rango de temperatura de uso: de -40 °C a 60 °C
⑬	Registro de inspección: Fecha, Iniciales

**Tabla 2: Registro de inspección y mantenimiento**

<b>Fecha de la inspección:</b>		<b>Inspeccionado por:</b>	
<b>Componentes:</b>	<b>Inspección:</b> (Consulte la sección 1 para conocer la frecuencia de las inspecciones)	<b>Usuario</b>	<b>Persona competente<sup>1</sup></b>
Anclaje de marco de puerta (Figura 2)	Inspeccione si hay daños en el anclaje del marco de la puerta: Busque fisuras, mellas o deformaciones. Observe si hay dobleces o desgaste en el tubo de soporte, en la argolla D y en los mecanismos de ajuste. Las piezas no deben faltar ni estar sueltas.	<input type="checkbox"/>	<input type="checkbox"/>
	Inspeccione los mecanismos de ajuste. El pasador de ajuste debe bloquearse cuando se inserte a través de cualquiera de los orificios de ajuste.	<input type="checkbox"/>	<input type="checkbox"/>
	Inspeccione el equipo completo para comprobar si existe corrosión excesiva. Inspeccione la torsión del tornillo de la perilla de ajuste y apriételo si fuera necesario.	<input type="checkbox"/>	<input type="checkbox"/>
Etiquetas (Figura 10)	Verifique que todas las etiquetas de seguridad estén correctamente fijadas y sean legibles (consulte "Etiquetas")	<input type="checkbox"/>	<input type="checkbox"/>
Estructura del anclaje	Inspeccione el marco de la puerta, de la ventana y/o la estructura para asegurarse de que puede soportar la carga y que cumple los requisitos de fuerza y resistencia que figuran en la Tabla 1.	<input type="checkbox"/>	<input type="checkbox"/>
PFAS y otros equipos	El equipo adicional (arnés, SRL, etc.) para el sistema personal de detención de caídas (PFAS) que se utilice con el sistema de anclaje FlexiGuard debe instalarse e inspeccionarse conforme a las instrucciones del fabricante.	<input type="checkbox"/>	<input type="checkbox"/>
<b>Números de serie:</b>		<b>Fecha de compra:</b>	
<b>Número de modelo:</b>		<b>Fecha del primer uso:</b>	
<b>Acción correctora/mantenimiento:</b>		Aprobado por:	
		Fecha:	
<b>Acción correctora/mantenimiento:</b>		Aprobado por:	
		Fecha:	
<b>Acción correctora/mantenimiento:</b>		Aprobado por:	
		Fecha:	
<b>Acción correctora/mantenimiento:</b>		Aprobado por:	
		Fecha:	
<b>Acción correctora/mantenimiento:</b>		Aprobado por:	
		Fecha:	
<b>Acción correctora/mantenimiento:</b>		Aprobado por:	
		Fecha:	
<b>Acción correctora/mantenimiento:</b>		Aprobado por:	
		Fecha:	
<b>Acción correctora/mantenimiento:</b>		Aprobado por:	
		Fecha:	
<b>Acción correctora/mantenimiento:</b>		Aprobado por:	
		Fecha:	
<b>Acción correctora/mantenimiento:</b>		Aprobado por:	
		Fecha:	
<b>Acción correctora/mantenimiento:</b>		Aprobado por:	
		Fecha:	

**1 Persona competente:** Individuo que es capaz de identificar peligros existentes y predecibles en el entorno o condiciones de trabajo insalubres, nocivas o peligrosas para los/las empleados/as y que cuenta con autorización para tomar medidas correctivas rápidas conducentes a su supresión.

## FI TURVALLISUUSTIEDOT

**Kaikki näissä ohjeissa olevat turvallisuustiedot tulee lukea sekä ymmärtää, ja niitä tulee noudattaa ennen tämän ankkurikiinnikkeen käyttöä. EDELLÄ MAINITUN LAIMINLYÖNTI VOI JOHTAA VAKAAN LOUKKAANTUMISEEN TAI KUOLEMAAN.**

**Nämä ohjeet tulee antaa näiden varusteiden käyttäjälle. Säilytä nämä ohjeet myöhempää tarvetta varten.**

### Käyttötarkoitus:

Tämä ankkurikiinnike on tarkoitettu käytettäväksi osana kokonaista henkilönsuojaimiin kuuluvaa putoamisenestojärjestelmää.

Käyttö muihin tarkoituksiin, kuten materiaalien käsittelyyn, virkistys- tai urheilutoimintaan tai muuhun sellaiseen toimintaan, joita ei käyttöohjeessa kuvata, ei ole 3M:n hyväksymää ja saattaa johtaa vakavaan loukkaantumiseen tai kuolemaan.

Tätä laitetta voivat käyttää ainoastaan koulutetut käyttäjät työskentelytarkoituksiin.

### VAROITUS

Tämä ankkurikiinnike on osa henkilönsuojaimiin kuuluvaa putoamisenestojärjestelmää. Kaikkien käyttäjien odotetaan olevan täysin koulutettuja omien henkilökohtaisten putoamisenestojärjestelmiensä turvallisen asentamisen ja käytön suhteen. **Tämän laitteen väärinkäyttö saattaa johtaa vakavaan loukkaantumiseen tai kuolemaan.** Tietoja asianmukaisesta valinnasta, käytöstä, asennuksesta, ylläpidosta ja huollosta saat tutkimalla näitä käyttöohjeita ja kaikkia valmistajan suosituksia, kysymällä esimieheltäsi tai ottamalla yhteyttä 3M:n tekniseen palveluun.

- **Vähentääksesi ankkurikiinnikkeiden kanssa työskentelyyn liittyviä riskejä, jotka mahdollisesti voivat aiheuttaa vakavan loukkaantumisen tai kuoleman:**
  - Kaikki järjestelmän komponentit tulee tarkastaa ennen jokaista käyttökertaa, vähintään kerran vuodessa ja jokaisen putoamistapauksen jälkeen. Suorita tarkastus käyttöohjeiden mukaisesti.
  - Jos valtuutetussa tarkastuksessa ilmenee vaarallinen tai viallinen tila, poista laite käytöstä ja korjaa tai vaihda se käyttöohjeiden mukaisesti.
  - Kaikki laitteet, joita on käytetty putoamisen pysäyttämiseen tai joihin on kohdistunut putoamiseneston iskuvoima, tulee välittömästi poistaa käytöstä ja hävittää.
  - Laite tulee asentaa ainoastaan niille alustoille tai rakenteille, joille se on tarkoitettu ja jotka on mainittu käyttöohjeissa. Muu kuin ohjeen kuvaama asennus tai käyttö tulee hyväksyttäväksi 3M Fall Protectionilla.
  - Sen alustan tai rakenteen, johon ankkurointiliitin kiinnitetään, tulee kannattaa käyttöohjeessa ilmoitetuissa sallituissa suunnissa ankkurille määritetyt staattiset kuormat.
  - Kytke putoamiseneston alijärjestelmät ainoastaan laitteen niille määrättyyn ankkurointikiinnityskohtaan.
  - Varmista ennen poraamista tai kiinnittämistä, ettei poran tai laitteen kanssa pääse kosketuksiin sähköjohtoja, kaasujohtoja tai muita tärkeitä sisäisiä järjestelmiä.
  - Varmista, että muiden valmistajien komponenteista kootut putoamisenestojärjestelmät/alijärjestelmät ovat yhteensopivia ja täyttävät asianomaisten standardien vaatimukset, mukaan lukien ANSI Z359, tai muut sovellettavat putoamisenestokoodit, -standardit tai -vaatimukset. Ennen näiden järjestelmien käyttöä tulee aina kääntyä pätevän tai pätevidyn henkilön puoleen.
- **Vähentääksesi korkealla työskentelyyn liittyviä riskejä, jotka mahdollisesti voivat aiheuttaa vakavan loukkaantumisen tai kuoleman:**
  - Varmista, että terveydentilasi ja fyysinen kuntosi on tarpeeksi hyvä, jotta pystyt kestämään kaikki korkealla työskentelyyn liittyvät voimat. Keskustele lääkärin kanssa, mikäli sinulla on kysyttävää näiden laitteiden käyttöön liittyvistä valmiuksistasi.
  - Älä koskaan ylitä putoamisenestolaitteiden sallittua kapasiteettia.
  - Älä koskaan ylitä putoamisenestolaitteiden vapaan pudotuksen enimmäisetäisyyttä.
  - Älä käytä putoamisenestolaitteita, jotka eivät läpäise ennen käyttöä tehtäviä tai muita suunniteltuja tarkastuksia tai jos olet huolissasi laitteiden käytöstä tai sopivuudesta käyttötarkoitukseen. Jos sinulla on kysyttävää, ota yhteyttä 3M:n tekniseen palveluun.
  - Jotkut alajärjestelmä- ja osayhdistelmät saattavat häiritä tämän laitteen toimintaa. Käytä vain yhteensopivia liitäntöjä. Ota yhteyttä 3M:ään ennen tämän laitteen käyttöä yhdessä sellaisten osien tai alajärjestelmien kanssa, joita ei kuvata tässä käyttöohjeessa.
  - Ota käyttöön ylimääräiset varotoimenpiteet, kun työskentelet liikkuvien laitteiden (esim. öljynporaustornien koneistot), sähkövaarojen, korkeiden lämpötilojen, kemiallisten vaarojen, räjähtävien tai myrkyllisten kaasujen tai terävien reunojen läheisyydessä tai yläpuolellasi sijaitsevien materiaalien lähellä, jotka voivat pudota päällesi tai putoamisenestolaitteen päälle.
  - Käytä valokaari- tai kuumatyökaluita, kun työskentelet erittäin kuumissa ympäristöissä.
  - Vältä pintoja ja esineitä, jotka voivat vahingoittaa käyttäjää tai laitteita.
  - Varmista, että korkealla työskennellessä käytössä on riittävä putoamiskorkeus.
  - Älä koskaan muokkaa tai muuta putoamisenestolaitetta. Vain 3M tai sen kirjallisesti valtuuttamat tahot saavat tehdä korjauksia tähän laitteeseen.
  - Ennen putoamisenestolaitteiden käyttöä varmista, että käytössä on pelastussuunnitelma, jonka avulla voidaan toteuttaa nopea pelastus putoamistapaturman tapahtuessa.
  - Jos putoamistapaturma tapahtuu, hae välittömästi lääkinnällistä apua pudonneelle työntekijälle.
  - Älä käytä vartalooviyötä putoamisenestosovelluksissa. Käytä ainoastaan kokovartalovaljaita.
  - Minimoi heilahtavan putoamisen mahdollisuus työskentelemällä niin suoraan ankkurointipisteen alla kuin mahdollista.
  - Mikäli laitteella harjoitellaan, on käytettävä toissijaista putoamisenestojärjestelmää tavalla, joka ei altista koulutettavaa henkilöä tahattomalle putoamiselle.
  - Käytä aina asianmukaisia henkilönsuojaimia kun asennat, käytät tai tarkastat laitetta/järjestelmää.



Merkitse ennen tämän tuotteen asennusta ja käyttöä tuotteen tunnistustiedot sen tunnusmerkinnästä tämän käyttöoppaan takana olevaan tarkastus- ja kunnossapitolokiin (taulukko 2).

## TUOTEKUVAUS:

Kuvassa 1 on 3M™:n DBI-SALA™-karmikiinnike. Karmikiinnike on ovi- tai ikkuna-aukkoon asennettava yhden pisteen kiinnitysliitin.

Kuvassa 2 näkyvät karmikiinnikkeen osat. Tekniset tiedot löytyvät taulukosta 1. Karmikiinnike koostuu tukiputkesta (A) sekä siihen kuuluvasta kiinteästä varresta (B) ja säädettävästä varresta (C), joka liukuu tukiputkea pitkin siten, että laite sopii ovi- tai ikkuna-aukkoon. Säädettävään varseen kuuluu tapinreiät sekä tappi (D) karkeaa säätöä varten. Kun säädettävä varsi on laitettu tapeilla paikoilleen, ruuvijalalla (E) varustettua nuppia kiristetään karmikiinnikkeen kiinnittämiseksi tiukasti ovi- tai ikkuna-aukkoon. Tukiputken D-rengas (F) toimii liitoskohtana turvahihnalle tai itsekelaautuvalle laitteelle.

## Taulukko 1 – Tekniset tiedot

Järjestelmän tekniset tiedot:			
<b>Kapasiteetti:</b>	<b>ANSI (American National Standard Institute, Yhdysvaltain kansallinen standardi-instituutti)/ CE:</b> yksi henkilö, jonka kokonaispaino (vaatteet, työkalut jne.) on korkeintaan 140 kg (310 lbs). <b>OSHA (Occupational safety and health administration, Yhdysvaltain työterveys- ja työturvallisuusvirasto):</b> yksi henkilö, jonka kokonaispaino (vaatteet, työkalut jne.) on korkeintaan 190 kg (420 lbs).		
<b>Ankkuroinnin lujuus:</b>	<b>ANSI/ OSHA</b>	<p><b>Putoamisen estäminen:</b> Rakenteen, johon kiinnitysliitin kiinnitetään, tulee kestää putoamisenestojärjestelmän sallimissa suunnissa staattinen kuormitus, joka on vähintään: 16 kN (3 600 lbs) pätevytyneen henkilön<sup>2</sup> todistuksella tai 22 kN (5 000 lbs) ilman todistusta. Kun kiinnityspisteeseen on kiinnitetty useampi kuin yksi putoamissuojausjärjestelmä, staattiset kuormat tulee kertoa kiinnityspisteeseen kiinnitettyjen putoamissuojausjärjestelmien määrällä.</p> <div style="border: 1px solid black; padding: 5px;"> <p><input checked="" type="checkbox"/> <b>OSHA 1926.500 ja 1910.66:</b> Putoamissuojausjärjestelmiin kiinnittämiseen käytettävien kiinnitysten tulee olla erillään kaikista alustojen riiputtamiseen tai tukemiseen käytetyistä kiinnityksistä. Lisäksi niiden tulee kestää 22 kN:n (5 000 lbs) kuormitus kiinnitettyä käyttäjää kohden. Vaihtoehtoisesti ne tulee suunnitella ja asentaa ja niitä tulee käyttää sellaisen täydellisen putoamissuojausjärjestelmän osana, jonka turvallisuuskerroin on vähintään 2 ja jota valvoo joku pätevyitynyt henkilö<sup>2</sup>.</p> </div> <p><b>Varmistus:</b> Sen rakenteen, johon kiinnitysliitin kiinnitetään, tulee kestää vähintään 13 kN:n (3 000 lbs) staattisia kuormia varmistusjärjestelmän sallimissa suunnissa. Kun useampi kuin yksi varmistusjärjestelmä kiinnitetään kiinnityspisteeseen, staattinen kuorma tulee kertoa kiinnityspisteeseen kiinnitettyjen varmistusjärjestelmien määrällä.</p>	
	<b>CE EN795</b>	<p><b>Kiinnityspisteen rakenne:</b> Ankkurointikiinnikkeen kiinnityskohtana toimivan rakenteen tulee pystyä kestämään voimaa oletetuissa kuormitus suunnissa. Kunkin kiinnityspisteen tulee kestää 12 kN:n (2 698 lbs) kuorma.</p>	
<b>Käyttölämpötila:</b>	-40 °C (-40 °F)		
<b>Kiinnitysliittimen murtolujuus</b>	vähimmäismurtolujuus: 22 kN (5 000 lbs)		
<b>Karmikiinnikkeen leveys:</b>	Ks. kuva 1. Vähimmäisleveys: 54,6 cm (21,5 tuumaa), enimmäisleveys: 129,5 cm (51 tuumaa)		
<b>Tuotteen mitat:</b>	Ks. kuva 1		
<b>Tuotteen paino:</b>	6,3 kg (14 lbs)		
Osien tarkat tiedot:			
Kuva 2, viite	Osa	Materiaalit:	Huomautuksia
Ⓐ	Tukiputki	Alumiini	
Ⓑ	Kiinteä tukivarsi	putki – alumiinia jalka – terästä pehmuste – kumia	
Ⓒ	Säädettävä tukivarsi	Alumiini	
Ⓓ	Karkeasäätötappi	Teräs	
Ⓔ	Hienosäätötappi	nuppi – terästä ruuvi – terästä jalka – terästä pehmuste – kumia	
Ⓕ	D-rengas	Seosteräs	Vetolujuus 22,2 kN (5 000 lbs)

**1 Pätevyitynyt henkilö:** Henkilö, jolla on tutkinto tai ammatillinen sertifikaatti sekä kattava kokemus putoamissuojauksesta. Henkilön tulee pystyä suunnittelemaan, analysoimaan, arvioimaan ja määrittelemään putoamissuojaus.

## 1.0 TUOTTEEN KÄYTTÖKOHDE

- 1.1 TARKOITUS:** Ankkurointikiinnikkeet on suunniteltu antamaan ankkurointikiinnityskohdan putoamisenesto<sup>-1</sup> ja varmistus<sup>2</sup>järjestelmille: Varmistus, työasemointi, henkilönsiirto, pelastus jne.

**Vain putoamissuojaukseen:** Tämä ankkurointikiinnike on tarkoitettu putoamissuojainten kiinnittämiseen. Älä kiinnitä tähän ankkurointikiinnikkeeseen nostolaitteita.

- 1.2 STANDARDIT:** Ankkurointikiinnike täyttää ne maan ja alueen standardit, jotka on merkitty näiden ohjeiden etukanteen. Jos tätä tuotetta jälleenmyydään alkuperäisen kohdemaan ulkopuolella, jälleenmyyjän on toimitettava nämä ohjeet tuotetta käyttävän maan omalla kielellä.
- 1.3 VALVONTA:** Tämän laitteen asennus tulee tapahtua pätevän henkilön valvonnassa<sup>3</sup>. Tämän laitteen käyttö tulee tapahtua pätevän henkilön valvonnassa<sup>4</sup>.
- 1.4 KOULUTUS:** Näiden varusteiden asentajien ja käyttäjien tulee olla koulutettuja oikeanlaista käyttöä varten. Tätä käyttöohjetta tulee käyttää osana CE-vaatimusten mukaista työntekijöiden koulutusohjelmaa. Varusteen käyttäjien ja asentajien vastuulla on perehtyä näihin ohjeisiin, hankkia koulutusta varusteen asianmukaisissa käyttö- ja huoltotavoissa sekä tuntee varusteen käyttöominaisuudet, käytön rajoitukset ja vääränlaisen käytön aiheuttamat seuraukset.
- 1.5 PELASTUSSUUNNITELMA:** Työnantajalla on laitetta ja siihen liitettyjä lisäjärjestelmiä käytettäessä oltava pelastussuunnitelma ja valmiudet sekä suunnitelman toteuttamiseksi että siitä tiedottamiseksi laitteen käyttäjille, valtuutetuille henkilöille<sup>5</sup> ja pelastushenkilöstölle<sup>6</sup>. Koulutettua, paikan päällä olevaa pelastushenkilöstöä suositellaan. Pelastushenkilöstön jäsenillä tulisi olla hallussaan onnistuneeseen pelastamiseen tarvittavat laitteet ja tekniikka. Pelastushenkilöstön riittävä määrä tulee varmistaa antamalla koulutusta säännöllisin väliajoin.
- 1.6 TARKASTUSTEN TIHEYS:** Käyttäjän tulee tarkastaa ankkurointikiinnike ennen jokaista käyttökertaa. Tämän lisäksi jonkun toisen pätevän henkilön (muu kuin käyttäjä itse) tulee tarkastaa se vähintään vuoden välein.<sup>7</sup> Tarkastustoimet on kuvattu kohdassa "Tarkastus- ja kunnossapitoloki". Kaikkien pätevän henkilön suorittamien tarkastusten tulokset tulee tallentaa tämän käyttöoppaan lopusta löytyvään "Tarkastus- ja kunnossapitolokiin".
- 1.7 PUTOAMISEN JÄLKEEN:** Mikäli kiinnitysliittimeen kohdistuu putoamisen pysäyttämisen aiheuttamaa voimaa, tulee liitin poistaa käytöstä välittömästi ja hävittää.

## 2.0 JÄRJESTELMÄVAATIMUKSET

- 2.1 KIINNITYS:** Kiinnitysvaatimukset vaihtelevat käytettävän putoamissuojaimen mukaan. Rakenteen, johon ankkurointikiinnike sijoitetaan tai kiinnitetään tulee vastata taulukossa 1 esitettyjä kiinnitysvaatimuksia.
- 2.2 PUTOAMISSUOJAINJÄRJESTELMÄ:** Kuva 1 näyttää tämän ankkurointikiinnikkeen käytön. Järjestelmän kanssa käytettävien putoamisen pysäyttävien järjestelmien tulee olla sovellettavien putoamissuojaimia koskevien standardien, lakien ja vaatimusten mukainen. Katso vapaan pudotuksen rajoitukset turvahihnan tai itsekelautuvan laitteen ohjeista. Putoamissuojausjärjestelmän tulee sisältää kokovartalovaljaat, ja enimmäispysäytysvoima tulee rajoittaa seuraaviin arvoihin:

	ANSI/OSHA	CE
Iskunvaimenninköydellä varustettu putoamissuojainjärjestelmä	4 kN (900 lbs)	6 kN (1 350 paunaa)
Itsekelautuvalla laitteella varustettu putoamissuojausjärjestelmä	4 kN (900 lbs)	6 kN (1 350 paunaa)

- 2.3 PUTOAMISREITTI JA ITSEKELAUTUVAN LAITTEEN LUKITTUMISNOPEUS:** Itsekelautuva laite vaatii lukkiutuakseen esteettömän väylän. Vältä tilanteita, joissa esteetön putoaminen ei ole mahdollista. Työskentely ahtaissa tai kapeissa tiloissa saattaa estää kehoa saavuttamasta riittävää putoamisnopeutta itsekelautuvan laitteen lukittumiselle putoamistilanteessa. Hiekan tai viljan kaltaisten hitaasti liikkuvien materiaalien päällä työskentely ei välttämättä mahdollista riittävää nopeutta itsekelautuvan laitteen lukittumiseksi.
- 2.4 VAARAT:** Näiden varusteiden käyttö vaarallisissa ympäristöissä voi vaatia ylimääräisiä turvajärjestelyjä, jotta estettäisiin käyttäjän vammautuminen ja varusteiden vahingoittuminen. Vaaratekijöitä voivat olla muun muassa kuumuus, kemikaalit, syövyttävät ympäristöt, korkeajännitelinjat, räjähtävät tai myrkylliset kaasut, liikkuvat koneet, terävät reunat tai korkealla olevat, mahdollisesti putoavat ja käyttäjään tai putoamissuojainjärjestelmään osuvat materiaalit.
- 2.5 VAPAA PUTOAMISKORKEUS:** Kuvassa 3 on esitetty putoamisenestojärjestelmän osat. Käyttäjän alapuolella tulee olla riittävästi tyhjää tilaa, jotta putoaminen pysähtyisi, ennen kuin käyttäjä osuu maahan tai muuhun esteeseen. Tyhjän tilan kokoon vaikuttavat monet tekijät, kuten kiinnityspaikka, (A) turvahihnan pituus, (B) turvahihnan vauhdin hidastumismatka tai itsekelautuvan laitteen suurin pysähtymismatka, (C) valjaiden venyminen ja D-renkaan tai liittimen pituus ja liikkeen pysähtymismatka (tavallisesti turvallisen arvona pidetään yhtä metriä). Katso putoamistilan laskentaa koskevat määräykset putoamiseneston lisäjärjestelmän ohjeista.

**1 Putoamisenestojärjestelmä:** Putoamissuojainmallisto vapaan pudotuksen pysäyttämiseen.

**2 Varmistusjärjestelmä:** Putoamissuojainmallisto, joka ehkäisee työntekijän painopisteen menettämistä ja putoamisvaaran syntymistä.

**3 Pätevöitynyt henkilö:** Henkilö, jolla on tutkinto tai ammatillinen sertifikaatti sekä kattava kokemus putoamissuojauksesta. Henkilön tulee pystyä suunnittelemaan, analysoimaan, arvioimaan ja määrittelemään putoamissuojaus.

**4 Pätevä henkilö:** Henkilö, joka pystyy tunnistamaan olemassa olevat ja ennustettavat vaaratekijät ympäristössä tai työolosuhteissa, jotka ovat vaarallisia, epähygieenisia tai vaarallisia työntekijöille, ja jolla on valtuudet ryhtyä toimiin niiden poistamiseksi.

**5 Valtuutettu henkilö:** Z359-standardin mukaisesti työnantajan määräämä henkilö, joka suorittaa tehtäviä sellaisessa paikassa, jossa henkilöt altistuvat putoamisvaaralle.

**6 Pelastaja:** Muu kuin pelastettava henkilö tai pelastettavat henkilöt, jotka avustavat pelastustyössä käyttäen pelastusjärjestelmää.

**7 Tarkastusväli:** Äärimmäiset työolosuhteet (vaativat ympäristöt, pitkäaikainen käyttö jne.) voivat vaatia tarkastusten suorittamista pätevän henkilön toimesta useammin.

- 2.6 HEILAHDUSPUTOAMISET:** Putoaminen tapahtuu heilahtamalla, jos ankkurointipiste ei ole suoraan putoamiskohdan yläpuolella (katso kuva 4). Iskeytyminen esteeseen heilahtavassa putoamisessa voi aiheuttaa vakavan vamman tai kuoleman. Minimoi heilahtavan putoamisen mahdollisuus työskentelemällä niin suoraan ankkurointipisteen alla kuin mahdollista. Älä salli heilahtavaa putoamista, jos se voi aiheuttaa vamman. Heilahtavat putoamiset lisäävät huomattavasti tarvittavaa liikkumavaraa, kun käytetään itsestään kelautuvaa laitetta tai muuta vaihtelevan mittaista kiinnitysjärjestelmää.
- 2.7 OSIEN YHTEENSOPIVUUS:** 3M-laitteet on tarkoitettu käytettäväksi 3M:n hyväksymien osien ja alajärjestelmien kanssa. Osien vaihtaminen ja korvaaminen muihin kuin hyväksytyihin osiin ja alajärjestelmiin voi vaarantaa laitteiston yhteensopivuuden sekä vaikuttaa koko järjestelmän turvallisuuteen ja luotettavuuteen.
- 2.8 LIITTIMIEN YHTEENSOPIVUUS:** Liittimiä pidetään yhteensopivina liitettävien osien kanssa, kun ne on suunniteltu toimimaan yhdessä siten, että niiden koko ja muoto eivät aiheuta lukkomekanismien tahatonta aukeamista riippumatta niiden asennosta. Ota yhteyttä 3M:ään, jos sinulla on kysyttävää yhteensopivuudesta.
- Liittimien (haat, karbiinit, D-renkaat) tulee kestää ainakin 2268 kg:n kuorma. (22,2 kN). Liittimien tulee olla yhteensopivia ankkuroinnin ja muiden järjestelmän osien kanssa. Älä käytä yhteensopimattomia varusteita. Ei-yhteensopivat liittimet voivat irrota vahingossa (katso kuva 5). Liittimien on oltava kooltaan, muodoltaan ja vahvuudeltaan yhteensopivia. Jos osa, johon jousihaka tai karbiinihaka kiinnitetään, on liian pieni tai epäsäännöllisen muotoinen, on mahdollista, että kiinnitetty osa kohdistaa voimaa jousihaan tai karbiinihaan lukitusosaan (A). Tämä voima saattaa aiheuttaa kidan avautumisen (B) ja päästää jousihaan tai karbiinihaan irtoamaan kiinnityspisteestä (C).
- ANSI Z359 ja OSHA edellyttävät itselukittuvia jousihakoja ja karbiinihakoja.
- 2.9 KYTKEMINEN:** Näiden varusteiden kanssa käytettävien jousihakojen ja karbiinihakojen tulee olla itselukittuvia. Varmista, että kaikki liittimet ovat yhteensopivia kooltaan, muodoltaan ja lujuudeltaan. Älä käytä yhteensopimattomia varusteita. Varmista, että kaikki liittimet ovat täysin suljettuja ja lukittuja.
- 3M:n liittimet (jousihaat ja karbiinit) on suunniteltu käytettäväksi vain kyseisten tuotteiden käyttöohjeissa kuvatulla tavalla. Katso kuvasta 6 esimerkkejä vääristä liittämisestä. Jousihakoja tai karbiineja ei saa kiinnittää:
- D-renkaaseen, johon on kiinnitetty toinen liitin
  - siten, että haan kita tai lukitusosa kuormittuu Isokitaisia jousihakoja ei tule kiinnittää vakiokoon D-renkasiin tai vastaaviin osiin, jotka aiheuttavat kidan kuormittumista, jos haka tai D-rengas kääntyy tai pyörii, ellei jousihaassa ole 16 kN:n kita. Tarkista jousihaassa oleva merkintä varmistaaksesi, että se sopii käyttötarkoitukseesi
  - virheelliseen liitokseen, jossa jousihaan tai karbiinihaan ulospäin työntyvät osat tarttuvat ankkuriin ja joka ilman silmämääräistä tarkastusta näyttää täysin kiinnitetyltä ankkuripisteeseen
  - toisiinsa
  - suoraan punokseen tai köyteen tai ympärysköyteen (ellei sekä köyden että liittimen valmistajan ohjeissa nimenomaan sallita tällaista liitosta)
  - mihin tahansa esineeseen, joka on muodoltaan tai kooltaan sellainen, että jousihaka tai karbiini ei sulkeudu ja lukitu tai että se saattaisi irrota
  - siten, että liitin ei kuormitettuna pysty asettumaan oikein.

### 3.0 ASENNUS

Jos kyseessä on sertifioitu kiinnityskohta, tulee pätevöityneen henkilön<sup>1</sup> suunnitella tai arvioida se rakenne, johon kiinnityslaitin on tarkoitus kiinnittää. Pätevä henkilö<sup>2</sup> voi hyväksyä sertifioimattoman kiinnityspisteen (katso taulukko 1).

**3.1 SUUNNITTELU:** Putoamissuojajärjestelmä tulee suunnitella ennen karmikiinnikkeen asentamista. Ota huomioon kaikki tekijät, jotka voivat vaikuttaa turvallisuuteen ennen putoamista, sen aikana ja sen jälkeen. Ota huomioon kaikki osioissa 2 ja taulukossa 1 luetellut vaatimukset, rajoitukset ja tekniset tiedot.

**3.2 KARMIKIINNİKKEEN ASENTAMINEN:** Karmikiinnike voidaan asentaa kaikkiin sellaisiin oven tai ikkunan karmeihin, joiden vähimmäis- ja enimmäisleveydet vastaavat kiinnitysvaatimuksia (ks. taulukko 1). Kuvassa 7 näkyy karmikiinnikkeen asennus. Karmikiinnikkeen asentaminen:

1. Säädä karmikiinnike haluttuun aukkoon sopivaksi poistamalla karkeasäätosokka ja liu'uttamalla säädettävää vartta D-rengasta kohti. Kierrä hienosäätonuppia vastapäivään, kunnes jalka on tiukasti tukiputkea vasten.
2. Aseta karmikiinnike ovi- tai ikkuna-aukkoon siten, että D-rengas osoittaa työskentelyaluetta kohti. Säädettävä jalka voidaan sijoittaa joko aukon vasemmalle tai oikealle puolelle. Karmiankkurin on nojattava ikkuna- tai oviaukon pohjaa vasten. Karmiankkuria ei saa yrittää asentaa sellaiseen asentoon, jossa se ei ole lattian tai ikkunalaudan tukema.
3. Liu'uta säädettävä varsi mahdollisimman lähelle oven tai ikkunan karmia ja pujota karkeasäätosokka lähimpään säätöreikäsarjaan. Kiinnitä kiinnike tiiviisti ovi- tai ikkuna-aukkoon kiristämällä hienosäätonuppia. Karmikiinnikkeen tulee olla vankka ja kunnolla kiinni asennuksen jälkeen.

### 4.0 KÄYTTÖ

**4.1 ENNEN JOKAISTA KÄYTTÖKERTAA:** Varmista että työskentelyalue ja putoamisenestojärjestelmä täyttävät kaikki osiossa 2 esitetyt vaatimukset, ja että käytössä on pelastussuunnitelma. Tarkasta karmikiinnike "käyttäjän" "tarkastus- ja kunnossapitolokissa" (taulukko 2) lueteltujen tarkastuspisteiden mukaisesti. Jos järjestelmä todetaan tarkastuksessa turvallisuudelle vaaralliseksi tai vialliseksi, ei sitä saa käyttää. Poista järjestelmä käytöstä, hävitä se ja ota yhteyttä 3M:ään korvaavan tuotteen tai korjauksen järjestämiseksi.

**4.2 PUTOAMISENESTOKIINNITYKSET:** Karmikiinnikettä käytetään kokovartalovaljaiden ja nykyistä vaimentavan turvahihnan tai itsekelaautuvan laitteen kanssa. Kuvassa 8 näkyy turvahihnan (A) tai itsekelaautuvan laitteen (B) sekä valjaiden ja karmikiinnikkeen välinen kiinnitys. Kiinnitä turvahihna tai itsekelautuva laite karmikiinnikkeen D-renkaaseen ja valjaiden selkäpuolen D-renkaaseen turvahihnan tai itsekelaautuvan laitteen ohjeiden mukaisesti.

**Turvallinen työskentelyalue:** Kuvassa 8 näkyy karmikiinnikettä koskeva turvallinen työskentelyalue. Vaakasuuntainen kulma ei työskennellessä saa koskaan olla yli 30° kohtisuorasta karmikiinnikkeen etupintaan. Tällä vältetään kiinnityspisteen vääränlainen kuormitus (ks. kuva 2). Älä koskaan työskentele sellaisessa kiinnityspisteen ylä- tai alapuolisessa kohdassa, joka ylittää kuvassa 2 selitetyt pystysuoran kuormituksen vaatimukset.

### 5.0 TARKASTUS

**5.1 TARKASTUSTEN TIHEYD:** Karmikiinnike tulee tarkastaa kohdassa 1 annettujen tarkastusvälien mukaisesti. Tarkastustoimet on kuvattu kohdassa "Tarkastus- ja kunnossapitoloki" (taulukko 2). Tarkasta kaikki muut putoamisenestojärjestelmän osat valmistajan ohjeiden mukaisten väliaikojen ja käytäntöjen mukaan.

**RFID-tunniste:** Karmikiinnikkeissä on radiotaajuustunnistusmerkintä (RFID-tunniste). RFID-tarraa voidaan käyttää yhdessä käsikäyttöisen lukulaitteen kanssa yksinkertaistamaan tarkastusta ja varastokirjanpitoa sekä tukemaan putoamisenestolaitteita koskevaa kirjanpitoa.

**5.2 VIAT:** Mikäli tarkastuksessa käy ilmi, että karmikiinnike on vaarallinen tai viallinen, tulee se poistaa käytöstä välittömästi ja ottaa yhteyttä 3M:ään korvaavan osan tai korjauksen järjestämistä varten. Älä yritä korjata putoamisenestojärjestelmää itse.

**Vain valtuutetut huollot:** Vain 3M tai sen kirjallisesti valtuuttamat tahot saavat tehdä korjauksia tähän laitteeseen.

**5.3 TUOTTEEN KÄYTTÖIKÄ:** Putoamisenestojärjestelmän toiminnallinen ikä määräytyy käyttöolosuhteiden ja huollon mukaan. Tuotetta voidaan käyttää niin kauan kuin se läpäisee tarkastuskriteerit.

### 6.0 HUOLTO, KUNNOSSAPITO JA SÄILYTYS

**6.1 PUHDISTUS:** Karmikiinnikkeen metalliosat tulee puhdistaa säännöllisesti pehmeällä harjalla, lämpimällä vedellä ja miedolla saippualliuoksella. Varmista, että osat huuhdellaan huolellisesti puhtaalla vedellä.

**6.2 HUOLTO:** Vain 3M tai sen kirjallisesti valtuuttamat tahot saavat tehdä korjauksia tähän laitteeseen. Mikäli karmikiinnikkeeseen on kohdistunut putoamisvoimaa tai tarkastuksessa käy ilmi, että se on vaarallinen tai viallinen, tulee se poistaa käytöstä ja ottaa yhteyttä 3M:ään korvaavan osan tai korjauksen järjestämiseksi.


**6.3 SÄILYTYS JA KULJETUS:** Kun karmikiinnike ei ole käytössä, varustetta ja siihen liittyviä laitteita tulee säilyttää viileässä, kuivassa ja puhtaassa ympäristössä suojassa suoralta auringonvalolta. Myös kuljetuksen tulee tapahtua samanlaisissa olosuhteissa. Vältä alueita, joilla saattaa esiintyä kemiallisia höyryjä. Tarkasta osat huolellisesti pitkän säilytysajan jälkeen.

**1 Pätevöitynyt henkilö:** Henkilö, jolla on tutkinto tai ammatillinen sertifikaatti sekä kattava kokemus putoamissuojauksesta. Henkilön tulee pystyä suunnittelemaan, analysoimaan, arvioimaan ja määrittelemään putoamissuojaus.

**2 Pätevä henkilö:** Henkilö, joka pystyy tunnistamaan olemassa olevat ja ennustettavat vaaratekijät ympäristössä tai työolosuhteissa, jotka ovat vaarallisia, epähygieenisia tai vaarallisia työntekijöille, ja jolla on valtuudet ryhtyä toimiin niiden poistamiseksi.

## 7.0 MERKINNÄT

Kuvassa 9 näkyvät karmikiinnikkeen merkinnät. Merkinnät tulee uusua, jos ne eivät ole täysin luettavissa. Kaikissa merkinnöissä on seuraavat tiedot:

	Lue kaikki ohjeet.
①	TEKNISET TIEDOT: Kapasiteetti: 1 henkilö, ANSI enintään 140 kg (310 lbs), OSHA enintään 190 kg (420 lbs). Enimmäispysäytysvoima 8 kN (1 800 lbs) Materiaalit: alumiinikiinnike; D-rengas sinkittyä teräseosta Standardit: Vastaa standardeja ANSI Z359.18, tyyppi A ja OSHA 1926.502 ja 1910.140 Murtolujuus vähintään: 22 kN (5 000 lbs) Vähimmäiskäyttölämpötila, ANSI -40 °C (-40 °F)
②	KÄYTTÖ: Katso käyttöohjeista tietoja liitännöiden tekemisestä. Turvaköyden ei saa antaa hankautua teräviä reunoja vasten käytön aikana. On noudatettava varovaisuutta tätä laitetta käytettäessä vaarallisten lämpö-, sähkö- tai kemikaalilähteiden läheisyydessä. Ks. Käyttöoppaasta lisätietoja.
③	TARKASTUS: Kiinnike tulee tarkastaa ennen jokaista käyttökertaa. Pätevän henkilön tulee tarkastaa kiinnike vähintään kerran kuussa käyttöohjeiden mukaisella tavalla. Mikäli tarkastuksessa käy ilmi, että laite on vaarallinen tai viallinen, ei sitä saa käyttää. Ei käyttäjän korjattavissa. Tässä tuotteessa käytetään radiotaajuustunnistusta, ja se sisältää elektronisen, yhteensopivilla lukulaitteilla luettavan merkinnän, joka välittää tarkastus- ja muita turvallisuustietoja.
④	SALLITUT KUORMITUKSEN SUUNNAT: Vaakasuntainen kulma ei työskennellessä saa koskaan olla yli 30° kohtisuorasta karmikiinnikkeen etupintaan. Tällä vältetään kiinnityspisteen vääränlainen kuormitus. Älä koskaan työskentele sellaisessa kiinnityspisteen ylä- tai alapuolisessa kohdassa, joka ylittää annetut pystysuoran kuormituksen vaatimukset.
⑤	Tämä karmikiinnike on asennettava ikkuna- tai oviaukon pohjaa vasten siten, että se nojaa kynnykseen tai ikkunalautaan. Jos kiinnike ei nojaa kynnykseen tai ikkunalautaan, se saattaa kääntyä kuormitettuna, mikä aiheuttaa kiinnikkeen irtoamisen ovi- tai ikkuna-aukosta. Tämän varoituksen laiminlyöminen voi johtaa vakavaan vammaan tai kuolemaan.
⑥	CE-standardi ja ilmoitetun laitoksen tunnus
⑦	Valmistuskuukausi/-vuosi ja eränumero
⑧	Valmistajan antamat ohjeet tulee lukea ja ne tulee ymmärtää ennen tuotteen käyttöä. Varusteen mukana toimitettuja ohjeita on noudatettava, jotta varustetta käytetään ja huolletaan oikein ja jotta se tarkastetaan oikein. Tuotteen muuttaminen tai väärinkäyttö tai ohjeiden noudattamatta jättäminen voi johtaa vakaviin vammoihin tai kuolemaan. Liitä ainoastaan yhteensopivat kiinnittimet toisiinsa. Katso käyttöopas.
⑨	Tuotteen mallinumero
⑩	Valmistuspaikka
⑪	Enintään yksi henkilö
⑫	Käyttölämpötilaväli: -40 – +60 °C
⑬	Tarkastusloki: Päivämäärä, nimikirjaimet

## Taulukko 2 – Tarkastus- ja kunnossapitoloki

Tarkastuspäivä:		Tarkistanut:	
Komponentit:	Tarkastus: (Katso tarkastusten tiheys osiosta 1)	Käyttäjä	Pätevä henkilö <sup>1</sup>
Karmikiinnike (kuva 2)	Tarkasta karmiankkuri mahdollisten vaurioiden varalta: Katso, onko siinä murtumia, koloja tai vääristymiä. Katso, onko tukiputki, D-rengas tai säätömekanismi taipunut tai kulunut. Varmista, etteivät mitkään osat ole löystyneet ja että kaikki osat ovat tallella.	<input type="checkbox"/>	<input type="checkbox"/>
	Tarkasta säätömekanismit. Karkeasäätötapin tulee lukittua mihin tahansa säätöreikään pujotettaessa.	<input type="checkbox"/>	<input type="checkbox"/>
	Tarkasta koko laite liiallisen syöpmisen varalta. Tarkasta hienosäätöruuvien vääntömomentti ja kiristä tarvittaessa.	<input type="checkbox"/>	<input type="checkbox"/>
Merkinnät (kuva 10)	Varmista että kaikki merkinnät ovat kunnolla kiinni ja lukukelpoisia (katso "Merkinnät").	<input type="checkbox"/>	<input type="checkbox"/>
Kiinnikkeen rakenne	Tarkasta oviaukko, ikkuna ja/tai kiinnitys rakenne ja varmista, että se kestää kuormitusta ja vastaa taulukon 1 lujuusvaatimuksia.	<input type="checkbox"/>	<input type="checkbox"/>
Putoamisenestojärjestelmät ja muut laitteet	Flexiguard-kiinnitysjärjestelmän kanssa käytettävät ylimääräiset putoamissuojausjärjestelmien laitteet (valjaat, itsekelautuva turvaköysi jne.) tulee asentaa ja tarkastaa valmistajan ohjeiden mukaan.	<input type="checkbox"/>	<input type="checkbox"/>
<b>Sarjanumero(t):</b>		<b>Ostopäivämäärä:</b>	
<b>Mallinumero:</b>		<b>Ensimmäisen käyttökerran päivämäärä:</b>	
<b>Korjaava toimi / kunnossapito:</b>		Hyväksyjä:	
		Päivämäärä:	
<b>Korjaava toimi / kunnossapito:</b>		Hyväksyjä:	
		Päivämäärä:	
<b>Korjaava toimi / kunnossapito:</b>		Hyväksyjä:	
		Päivämäärä:	
<b>Korjaava toimi / kunnossapito:</b>		Hyväksyjä:	
		Päivämäärä:	
<b>Korjaava toimi / kunnossapito:</b>		Hyväksyjä:	
		Päivämäärä:	
<b>Korjaava toimi / kunnossapito:</b>		Hyväksyjä:	
		Päivämäärä:	
<b>Korjaava toimi / kunnossapito:</b>		Hyväksyjä:	
		Päivämäärä:	
<b>Korjaava toimi / kunnossapito:</b>		Hyväksyjä:	
		Päivämäärä:	
<b>Korjaava toimi / kunnossapito:</b>		Hyväksyjä:	
		Päivämäärä:	
<b>Korjaava toimi / kunnossapito:</b>		Hyväksyjä:	
		Päivämäärä:	
<b>Korjaava toimi / kunnossapito:</b>		Hyväksyjä:	
		Päivämäärä:	

**1 Pätevä henkilö:** Henkilö, joka pystyy tunnistamaan olemassa olevat ja ennustettavat vaaratekijät ympäristössä tai työolosuhteissa, jotka ovat vaarallisia, epähygieenisiä tai vaarallisia työntekijöille, ja jolla on valtuudet ryhtyä toimiin niiden poistamiseksi.

## CONSIGNES DE SÉCURITÉ

FR

**Veillez lire, prendre connaissance et suivre toutes les consignes de sécurité contenues dans ces instructions avant d'utiliser ce connecteur d'ancrage. LE NON-RESPECT DE CES INSTRUCTIONS PEUT CAUSER DES BLESSURES GRAVES OU LA MORT.**

**Ces instructions doivent être transmises à l'utilisateur de cet équipement. Conservez ces instructions pour vous y référer ultérieurement.**

### Utilisation prévue :

Ce connecteur d'ancrage est conçu pour être utilisé comme un élément d'un système antichute individuel complet.

Toute utilisation pour d'autres applications, y compris, mais sans s'y limiter, la manutention de matériaux, des activités de loisirs ou sportives, ou d'autres activités non décrites dans les instructions d'utilisateurs, n'est pas approuvée par 3M et pourrait entraîner des blessures graves ou mortelles.

Ce dispositif ne doit être utilisé que par des utilisateurs formés pour des applications sur le lieu de travail.



## AVERTISSEMENT

Ce connecteur d'ancrage fait partie d'un système antichute individuel complet. Tous les utilisateurs doivent être solidement formés à l'installation et au fonctionnement sécurisés de leur système antichute individuel. **Une mauvaise utilisation de ce dispositif pourrait entraîner des blessures graves ou être mortelle.** Pour ne faire aucune erreur dans la sélection, le fonctionnement, l'installation, la maintenance et l'entretien, suivez ces instructions d'utilisateur et toutes les recommandations du fabricant, consultez un superviseur ou contactez le service technique 3M.

- **Pour réduire les risques associés au travail avec un connecteur d'ancrage qui, en l'absence de protection, pourraient entraîner des blessures graves ou mortelles :**
  - Inspectez le dispositif avant chaque utilisation, au moins une fois par an, et après chaque chute. Procédez à l'inspection conformément aux instructions d'utilisation.
  - Si l'inspection effectuée fait apparaître un défaut ou un danger, retirez immédiatement le dispositif du service et réparez-le ou remplacez-le en respectant les instructions d'utilisation.
  - Tout dispositif ayant été soumis à un arrêt de chute ou à une force d'impact doit immédiatement être mis hors service et détruit.
  - Le dispositif ne doit être installé que dans les substrats spécifiés ou sur les structures détaillées dans les consignes d'utilisation. Les installations et utilisations non conformes à ces consignes doivent être approuvées par 3M Fall Protection.
  - Le substrat auquel ou la structure à laquelle le connecteur d'ancrage est fixé doit être capable de résister aux charges statiques spécifiées pour l'ancrage dans les orientations autorisées indiquées dans les instructions d'utilisation.
  - Reliez uniquement d'autres sous-systèmes de protection antichute au point du connecteur d'ancrage désigné sur le dispositif.
  - Avant de procéder au perçage ou à la fixation, vérifiez qu'aucune ligne électrique, conduite de gaz ou tout autre système critique intégré ne sera touché par la perceuse ou le dispositif.
  - Assurez-vous que les systèmes/sous-systèmes antichute assemblés avec des composants provenant de divers fabricants sont compatibles et respectent les exigences des normes applicables, y compris la norme ANSI Z359 ou d'autres codes, normes ou contraintes de protection contre les chutes. Consultez systématiquement une personne compétente ou qualifiée avant l'utilisation de ces systèmes.
  - N'utilisez pas inspectez vérifiez N'utilisez pas Installez toujours Installez toujours jamais fixez Utilisez Vérifiez toujours
- **Pour réduire les risques associés au travail en hauteur qui, faute de protection, peuvent entraîner des blessures graves ou mortelles :**
  - Assurez-vous que votre santé et votre condition physique vous permettent de supporter en toute sécurité les forces associées au travail en hauteur. Consultez votre médecin si vous avez des questions concernant votre aptitude à utiliser cet équipement.
  - Ne dépassez jamais les limites autorisées pour votre équipement antichute.
  - Ne dépassez jamais la distance de chute libre maximale de votre équipement antichute.
  - N'utilisez aucun équipement antichute qui n'a pas satisfait aux inspections avant utilisation ou aux autres inspections programmées, ou si vous avez des préoccupations concernant l'utilisation ou la compatibilité de l'équipement avec votre application. Contactez les services techniques de 3M si vous avez des questions.
  - Certaines combinaisons de sous-systèmes et de composants peuvent gêner le fonctionnement de cet équipement. Utilisez uniquement des raccords compatibles. Consultez 3M avant d'utiliser cet équipement conjointement avec des composants ou des sous-systèmes autres que ceux décrits dans les instructions d'utilisation.
  - Soyez particulièrement vigilant(e) lorsque vous travaillez autour des machines en mouvement (par exemple, les mécanismes d'entraînement par le haut des plates-formes pétrolières), en cas de risques électriques, de températures extrêmes, de risques chimiques, en présence de gaz explosifs ou toxiques, d'arêtes vives, ou de matériaux suspendus pouvant chuter sur vous ou sur l'équipement.
  - Utilisez des dispositifs de protection contre les arcs électriques ou conçus pour le travail à température élevée dans les environnements à chaleur intense.
  - Évitez les surfaces et les objets qui peuvent endommager l'utilisateur ou l'équipement.
  - Vérifiez que vous disposez d'une distance d'arrêt adaptée lorsque vous travaillez en hauteur.
  - Ne modifiez ni n'altérez jamais votre équipement antichute. Seul 3M ou les parties agréées par écrit par 3M peuvent réparer cet équipement.
  - Avant l'utilisation d'un équipement antichute, vérifiez qu'un plan de sauvetage est mis en place et qu'il permettra d'effectuer un sauvetage rapide si une chute se produit.
  - En cas de chute, faites immédiatement intervenir un médecin auprès du travailleur qui est tombé.
  - N'utilisez pas de ceinture de travail pour les applications de prévention antichute. Utilisez uniquement un harnais intégral.
  - Réduisez le risque d'effets pendulaires en travaillant autant que possible directement sous le point d'ancrage.
  - Lors de la formation à l'utilisation de ce dispositif, vous devez utiliser un système antichute secondaire afin de ne pas exposer la personne formée à un risque de chute involontaire.
  - Portez toujours un équipement de protection individuelle approprié lors de l'installation, de l'utilisation ou de l'examen du dispositif/système.

Avant d'installer et d'utiliser cet équipement, enregistrer les informations d'identification du produit, indiquées sur l'étiquette d'identification, dans le Journal d'inspection et d'entretien (Tableau 2) figurant au dos du présent manuel.

## DESCRIPTION DU PRODUIT :

La Figure 1 illustre le système d'ancrage pour chambranle de porte 3M™ DBI-SALA™. Le système d'ancrage pour chambranle de porte est un connecteur d'ancrage à un seul point, qui s'installe dans une ouverture de porte ou de fenêtre.

La Figure 2 illustre les pièces du système d'ancrage pour chambranle de porte. Voir le Tableau 1 pour examiner les spécifications. Le système d'ancrage pour chambranle de porte est composé d'un tube de support (A) avec un pied fixe (B) et un pied réglable (C) glissant le long du tube de support pour s'adapter à l'ouverture de la porte ou de la fenêtre. Le pied réglable comprend des orifices de goupille et une goupille (D) pour un réglage grossier. Une fois que le pied réglable est maintenu en place, une poignée avec un pied à visser (E) est serrée pour fixer le système d'ancrage pour chambranle de porte dans l'ouverture de la porte/fenêtre. Un D d'accrochage (F) sur le tube de support sert de point de connexion pour une longe ou un dispositif de sécurité autorétractable (Self-Retracting Device, SRD).

### Tableau 1 – Spécifications

Spécifications du système :			
<b>Capacité :</b>	<b>ANSI/CE :</b> 1 personne au poids combiné (vêtements, outils, etc.) de 140 kg (310 lb) maximum. <b>OSHA :</b> 1 personne au poids combiné (vêtements, outils, etc.) de 190 kg (420 lb) maximum.		
<b>Force d'ancrage :</b>	<b>ANSI/OSHA</b>	<p><b>Antichute :</b> La structure à laquelle un connecteur d'ancrage est fixé doit supporter des charges statiques appliquées dans les directions permises par le dispositif antichute d'au moins : 1 630 kg (3 600 lb, 16,0 kN) avec la certification d'une personne qualifiée<sup>2</sup> ou 2 267 kg (5 000 lb, 22 kN) sans certification. Lorsque plusieurs équipements de protection individuelle (EPI) antichute sont reliés à un ancrage, ces charges statiques doivent être multipliées par le nombre d'EPI fixés à l'ancrage.</p> <div style="border: 1px solid black; padding: 5px;"> <p><input checked="" type="checkbox"/> <b>OSHA 1926.500 et OSHA 1910.66 :</b> Les ancrages reliés à un équipement de protection individuelle (EPI) antichute doivent être indépendants des ancrages servant de suspension ou de support aux plates-formes. Ils doivent être en mesure de soutenir 2 267 kg (5 000 lb, 22 kN) par utilisateur attaché ou être conçus, installés et utilisés comme élément d'un EPI complet qui assure un facteur de sécurité pour deux personnes au moins et qui est supervisé par une personne qualifiée<sup>2</sup>.</p> </div> <p><b>Dispositif de retenue :</b> La structure, à laquelle un connecteur d'ancrage est attaché, doit supporter des charges statiques appliquées dans les directions permises par le dispositif de retenue d'au moins 1 360 kg (3 000 lb, 13 kN). Lorsque plusieurs dispositifs de retenue sont reliés à un ancrage, la charge statique doit être multipliée par le nombre de dispositifs de retenue fixés à l'ancrage.</p>	
	<b>CE EN 795</b>	<p><b>Structure d'ancrage :</b> la structure à laquelle le connecteur d'ancrage est fixé doit pouvoir supporter une force dans la/les direction(s) de chargement prévue(s). Chaque emplacement du point d'ancrage doit être capable de supporter des charges de 1 223 kg (2 698 lb, 12 kN).</p>	
<b>Température de service :</b>	-40 °C (-40 °F)		
<b>Résistance à la rupture du connecteur d'ancrage</b>	22 kN (2 268 kg, 5 000 lb) Résistance minimale à la rupture		
<b>Largeur de chambranle de porte/fenêtre :</b>	Se reporter à la figure 1 : Largeur minimale : 54,6 cm (21,5 po), Largeur maximale : 129,5 cm (51,0 po)		
<b>Dimensions du produit :</b>	Voir la Figure 1		
<b>Poids du produit :</b>	6,3 kg (14,0 lb)		
Spécifications des composants :			
Figure 2 Référence	Composant	Matériaux	Notes
(A)	Tube de support	Aluminium	
(B)	Pied fixe	Tube - Aluminium Pied - Acier Patin - Caoutchouc	
(C)	Pied réglable	Aluminium	
(D)	Goupille de réglage grossier	Acier	
(E)	Poignée de réglage précis	Poignée - Acier Vis - Acier Pied - Acier Patin - Caoutchouc	
(F)	D d'accrochage	Alliage d'acier	Résistance à la traction - 2 267 kg (5 000 lb, 22,2 kN)

**1 Personne qualifiée :** Individu qui possède un diplôme reconnu ou un certificat professionnel et qui bénéficie d'une vaste expérience dans la protection contre les chutes. Cet individu doit être capable de maîtriser la conception, l'analyse, l'évaluation et les spécifications en matière de protection contre les chutes.



## 1.0 APPLICATION PRODUIT

- 1.1 OBJECTIF :** Les connecteurs d'ancrage sont conçus pour fournir des points de connexion d'ancrage pour les systèmes antichute<sup>1</sup> ou les dispositifs de retenue<sup>2</sup> : Dispositif de retenue, maintien en position de travail, harnais personnel, sauvetage, etc.

**Protection contre les chutes uniquement :** Ce connecteur d'ancrage sert à la connexion des équipements antichute. Ne connectez pas des équipements de levage à ce connecteur d'ancrage.

- 1.2 NORMES :** Votre connecteur d'ancrage est conforme aux normes nationales ou régionales présentées sur la page de couverture de ces instructions. Si ce produit est revendu en dehors du pays de destination d'origine, le revendeur doit fournir ces instructions dans la langue du pays où il sera utilisé.
- 1.3 SUPERVISION :** L'installation de cet équipement doit être supervisée par une personne qualifiée<sup>3</sup>. L'utilisation de cet équipement doit être supervisée par une personne compétente<sup>4</sup>.
- 1.4 FORMATION :** Cet équipement doit être installé et utilisé par des personnes formées à cet effet. Ce manuel doit être utilisé dans le cadre du programme de formation des employés, tel que requis par les normes CE. Il relève de la responsabilité des utilisateurs et des installateurs de cet équipement de s'assurer qu'ils se sont familiarisés avec ces instructions, qu'ils ont été formés à l'entretien et à l'utilisation corrects de ce dernier et qu'ils ont connaissance des caractéristiques de fonctionnement, des limites d'application et des conséquences d'une mauvaise utilisation.
- 1.5 PLAN DE SAUVETAGE :** Avant d'utiliser cet équipement et de connecter le(s) sous-système(s), l'employeur devra disposer d'un plan de sauvetage et de moyens disponibles permettant sa mise en œuvre et communiquer ce plan aux utilisateurs, aux personnes agréées<sup>5</sup> et aux sauveteurs<sup>6</sup>. Il est recommandé de mettre en place une équipe adéquatement formée de sauvetage sur site. Il conviendra de mettre à la disposition des membres de l'équipe l'équipement et les moyens techniques nécessaires à la bonne exécution d'une opération de sauvetage. La formation devra être dispensée sur une base régulière afin de garantir le niveau de compétence des sauveteurs.
- 1.6 FRÉQUENCE D'INSPECTION :** Le connecteur d'ancrage doit être inspecté par l'utilisateur avant chaque utilisation et, par ailleurs, par une personne compétente autre que l'utilisateur à des intervalles inférieurs à un an.<sup>7</sup> Les procédures d'inspection sont décrites dans le « *Journal d'inspection et d'entretien* ». Les résultats de chaque inspection effectuée par une personne compétente doivent être enregistrés dans des exemplaires du « *Journal d'inspection et d'entretien* ».
- 1.7 APRÈS UNE CHUTE :** si le connecteur d'ancrage a été soumis aux forces résultant d'un arrêt de chute, il devra immédiatement être mis hors service et détruit.

## 2.0 CARACTÉRISTIQUES DU SYSTÈME

- 2.1 ANCRAGE :** Les exigences en matière d'ancrage varient en fonction de l'utilisation du dispositif antichute. La structure sur laquelle le connecteur d'ancrage est posé ou installé doit satisfaire aux spécifications d'ancrage reprises dans le Tableau 1.
- 2.2 ÉQUIPEMENT DE PROTECTION INDIVIDUELLE ANTICHUTE :** La Figure 1 illustre l'application de ce connecteur d'ancrage. Les équipements de protection individuelle (EPI) antichute utilisés avec le système doivent être conformes aux normes, codes et réglementations applicables en matière de protection contre les chutes. Vous trouverez les limites de chute libre dans les instructions de votre longe ou de votre dispositif antichute à rappel automatique. L'équipement de protection individuelle antichute doit comporter un harnais intégral et limiter la force d'arrêt maximale (FAM) aux valeurs suivantes :

	ANSI/OSHA	CE
Équipement de protection individuelle (EPI) antichute avec longe antichute	4 kN (408 kg, 900 lb)	6 kN (612,30 kg, 1 350 lbs)
Équipement de protection individuelle (EPI) antichute avec dispositif antichute à rappel automatique	4 kN (408 kg, 900 lb)	6 kN (612,30 kg, 1 350 lbs, )

- 2.3 CHEMIN DE CHUTE ET VITESSE DE BLOCAGE DU SDR :** un environnement dégagé est indispensable pour assurer le verrouillage correct d'un SRD. Les situations qui ne permettent pas un chemin de chute dégagé doivent être évitées. Travailler dans des espaces confinés ou restreints ne permet pas toujours au corps d'atteindre une vitesse suffisante pour que le SRD se verrouille en cas de chute. Travailler sur des matériaux légèrement instables, comme le sable ou le gravier, risque également de ne pas permettre d'atteindre une vitesse suffisante pour occasionner le verrouillage du SRD.
- 2.4 RISQUES :** L'utilisation de cet équipement dans des zones à risque environnemental peut nécessiter des précautions supplémentaires pour éviter tout risque de blessures corporelles de l'utilisateur ou des dommages matériels. Ces risques comprennent, sans s'y limiter : chaleur, produits chimiques, environnements corrosifs, lignes à haute tension, gaz explosifs ou toxiques, engins en mouvement, arêtes vives, ou matériaux situés plus haut pouvant tomber et toucher l'utilisateur ou le dispositif antichute individuel.

**1 Système antichute :** Un ensemble d'équipements de protection contre les chutes configuré pour retenir une chute libre.

**2 Système de retenue :** Un ensemble d'équipements de protection contre les chutes configuré pour empêcher le centre de gravité d'une personne d'atteindre le point de risque de chute.

**3 Personne qualifiée :** Individu qui possède un diplôme reconnu ou un certificat professionnel, et qui bénéficie d'une vaste expérience dans la protection contre les chutes. Cet individu doit être capable de maîtriser la conception, l'analyse, l'évaluation et les spécifications en matière de protection contre les chutes.

**4 Personne compétente :** Personne capable d'identifier des dangers existants et prévisibles dans les milieux de travail, ou des conditions de travail non hygiéniques ou dangereuses pour les ouvriers, et ayant l'autorisation de prendre des mesures correctives rapides pour les éliminer.

**5 Personne agréée :** Aux fins des normes Z359, une personne désignée par un employeur afin d'exécuter des missions sur un site où une personne sera exposée à un risque de chute.

**6 Sauveteur :** Personne(s) autre(s) que la personne secourue, chargée(s) d'effectuer un sauvetage au moyen d'un équipement de sauvetage.

**7 Fréquence d'inspection :** Des conditions de travail extrêmes (environnement hostile, utilisation prolongée, etc.) peuvent nécessiter des inspections plus fréquentes par une personne compétente.

- 2.5 DISTANCE D'ARRÊT :** La figure 3 illustre les principaux composants d'un système antichute. Prévoir une distance d'arrêt (FC) suffisante pour interrompre une chute avant que l'utilisateur ne touche le sol ou un autre obstacle. La distance d'arrêt est affectée par plusieurs facteurs, dont : L'emplacement de l'ancrage, (A) la longueur de la longe, (B) la distance de décélération de la longe ou la distance d'arrêt maximum du SRD, (C) la capacité d'étirement du harnais et la longueur et l'emplacement du D d'accrochage/du connecteur (le facteur de sécurité est généralement de 1 m). Consultez les instructions fournies avec votre sous-dispositif antichute pour plus de détails concernant le calcul de la distance d'arrêt en cas de chute.
- 2.6 CHUTES AVEC EFFET PENDULAIRE :** Les chutes avec effet pendulaire se produisent lorsque le point d'ancrage ne se trouve pas directement au-dessus du point de chute (voir la Figure 4). La force de la collision avec un objet lors d'une chute avec effet pendulaire peut occasionner des blessures graves voire la mort. Réduire le risque d'effets pendulaires en travaillant autant que possible directement sous le point d'ancrage. Éviter les chutes avec effet pendulaire si des risques de blessure existent. Les chutes avec effet pendulaire augmentent fortement les distances d'arrêt nécessaires lorsqu'un dispositif de rappel automatique ou un autre sous-système de raccordement de longueur variable est utilisé.
- 2.7 COMPATIBILITÉ DES COMPOSANTS :** L'équipement 3M est destiné à être utilisé uniquement avec des composants et des sous-systèmes agréés 3M. La substitution ou le remplacement de pièces par des composants, ou des sous-composants non approuvés peut compromettre la compatibilité de l'équipement et affecter la sécurité, et la fiabilité de l'ensemble du système.
- 2.8 COMPATIBILITÉ DU CONNECTEUR :** Les connecteurs sont considérés comme compatibles avec les éléments de raccordement lorsqu'ils ont été conçus de sorte que ni leur taille ni leur forme ne provoquent l'ouverture spontanée de leur mécanisme d'ouverture, quelle que soit leur orientation. Pour toute question concernant la compatibilité, contacter 3M.
- Les connecteurs (crochets, mousquetons et D d'accrochage) doivent être capables de soutenir au moins 2 268 kg (5 000 lb). (22,2 kN). Les connecteurs doivent être compatibles avec l'ancrage ou tout autre composant du dispositif. Ne pas utiliser un équipement non compatible. Les connecteurs non compatibles peuvent se désengager accidentellement (voir figure 5). Les connecteurs doivent être compatibles par leur taille, leur forme et leur résistance. Si l'élément de raccordement est doté d'un crochet de mousqueton ou d'un mousqueton trop petit ou de forme irrégulière, il se peut que l'élément de raccordement applique une force sur l'ouverture du crochet de mousqueton ou du mousqueton (A). Cette force pourrait entraîner l'ouverture (B) et provoquer le détachement du crochet de mousqueton ou du mousqueton de son point de raccordement (C).
- Des crochets de mousquetons et des mousquetons autobloquants sont requis par la norme ANSI Z359 et par l'OSHA.
- 2.9 RACCORDEMENT :** Les crochets de mousquetons ou mousquetons utilisés avec cet équipement doivent être autobloquants. Vérifier que toutes les connexions sont compatibles en taille, en forme et en résistance. Ne pas utiliser un équipement non compatible. Vérifier que tous les connecteurs sont bien fermés et verrouillés.
- Les connecteurs 3M (crochets de mousquetons et mousquetons) sont destinés à être utilisés uniquement selon les spécifications dans les instructions pour l'utilisateur concernant chacun des produits. La figure 6 montre quelques exemples de raccords inappropriés. Ne pas raccorder les crochets de mousquetons et mousquetons :
- à un D d'accrochage auquel un autre connecteur est attaché.
  - d'une manière qui provoquerait une charge sur l'ouverture. Les crochets de mousquetons à grande ouverture ne doivent pas être raccordés à des D d'accrochage de taille standard ou à des objets similaires qui provoqueraient une charge sur l'ouverture si le connecteur ou le D d'accrochage venait à se tordre ou tourner, sauf si le crochet de mousqueton est équipé d'une ouverture de 16 kN (1 632 kg, 3 600 lb). Vérifiez le marquage sur votre crochet de mousqueton afin de vous assurer qu'il convient à votre application.
  - dans une configuration défectueuse où des éléments dépassant du crochet mousqueton ou du mousqueton s'accrochent à l'ancrage et où tout laisse à penser, sans être toutefois confirmé visuellement, que la fixation au point d'ancrage est correcte ;
  - l'un à l'autre ;
  - directement à la sangle ou à la longe ou câble de sécurité (à moins que les instructions du fabricant de la longe et du connecteur n'autorisent un raccordement de ce type).
  - à un objet ayant une forme ou une dimension empêchant la fermeture et le verrouillage du crochet mousqueton ou du mousqueton, ou risquant de provoquer un détachement ; ou
  - d'une manière qui ne permet pas le bon alignement du connecteur lorsqu'il est sous charge.

### 3.0 INSTALLATION

Pour un point d'ancrage certifié, la structure sur laquelle est fixé le connecteur d'ancrage doit être conçue ou examinée par une personne qualifiée<sup>1</sup>. Un point d'ancrage non certifié peut être approuvé par une personne compétente<sup>2</sup> (voir Tableau 1).

**3.1 PRÉPARATION :** Préparez votre système de protection contre les chutes avant d'installer le système d'ancrage pour chambranle de porte. Prenez en compte tous les facteurs qui pourraient affecter la sécurité des utilisateurs avant, pendant et après une chute. Prendre en considération toutes les exigences, spécifications et limites définies dans la Section 2 et le Tableau 1.

**3.2 INSTALLATION DU SYSTÈME D'ANCRAGE POUR CHAMBRANLE DE PORTE :** Vous pouvez installer le système d'ancrage pour chambranle de porte dans n'importe quelle chambranle de porte ou de fenêtre à condition que les largeurs minimales et maximales autorisées respectent les exigences d'ancrage spécifiées (voir le Tableau 1). La Figure 7 illustre l'installation du système d'ancrage pour chambranle de porte. Pour installer le système d'ancrage pour chambranle de porte :

1. Régler le système d'ancrage pour chambranle de porte en retirant la goupille de réglage grossier et en faisant glisser le pied réglable vers le D d'accrochage afin qu'il s'insère à l'intérieur de l'ouverture souhaitée. Pivoter la poignée de réglage précis dans le sens anti-horaire pour que le pied soit fixé au tube de support.
2. Placer le système d'ancrage pour chambranle de porte dans l'ouverture de porte ou de fenêtre, le D d'accrochage pointant vers la zone de travail. Le pied réglable peut être situé sur la gauche ou la droite de l'ouverture. Le système d'ancrage pour chambranle de porte doit rester en bas de l'ouverture de fenêtre ou de porte. Ne pas tenter de l'installer à un endroit où il n'est pas soutenu par le sol ou le seuil de la fenêtre.
3. Faire glisser le pied réglable aussi près que possible du chambranle de porte ou de fenêtre, puis insérer la goupille de réglage grossier dans l'ensemble d'orifices de réglage le plus proche. Fixer l'ancrage solidement dans l'embrasure de la porte ou dans la fenêtre en serrant la poignée de réglage précis. Le système d'ancrage pour chambranle de porte doit être solide et sécurisé une fois l'installation finie.

### 4.0 UTILISATION

**4.1 AVANT CHAQUE UTILISATION :** Vérifier que la zone de travail et l'équipement de protection individuelle (EPI) antichute répondent à tous les critères définis dans la Section 2 et qu'un plan de sauvetage officiel est mis en place. Inspecter le système d'ancrage pour chambranle de porte conformément aux consignes d'inspection « Utilisateur » figurant dans le « Journal d'inspection et d'entretien » (Tableau 2). Ne pas utiliser le système si l'inspection révèle une condition dangereuse ou défectueuse. Retirer le système du service et le détruire ou contacter 3M pour effectuer une réparation, ou un remplacement.

**4.2 CONNEXIONS ANTICHUTE :** Le système d'ancrage pour chambranle de porte est utilisé avec un harnais intégral et une longe amortissante ou un dispositif de sécurité autorétractable (Self-Retracting Device, SRD). La Figure 8 illustre la connexion de la longe (A) ou du SRD (B) entre le harnais et le système d'ancrage pour chambranle de porte. Connectez la longe ou le SRD entre le D d'accrochage sur le système d'ancrage pour chambranle de porte et le D d'accrochage dorsal à l'arrière sur le harnais, comme indiqué sur les instructions incluses avec la longe ou le SRD.

**Zone de travail sécurisée :** La Figure 8 illustre la zone de travail sécurisée pour le système d'ancrage pour chambranle de porte. Ne jamais travailler à un angle horizontal supérieur à 30° perpendiculairement à la face du système d'ancrage pour chambranle de porte pour éviter toute charge incorrecte du point de connexion de l'ancrage (voir la Figure 2). Ne jamais travailler au-dessus ou en dessous des points de connexion de l'ancrage dépassant les exigences en matière de charge verticale, comme illustré dans la Figure 2.

### 5.0 INSPECTION

**5.1 FRÉQUENCE D'INSPECTION :** Le système d'ancrage pour chambranle de porte doit être inspecté aux intervalles définis à la Section 1. Les procédures d'inspection sont décrites dans le « Journal d'inspection et d'entretien » (Tableau 2). Inspecter tous les autres composants du système de protection antichute conformément aux fréquences et procédures figurant dans les instructions du fabricant.

**Étiquette RFID :** Certains systèmes d'ancrage pour chambranle de porte sont équipés d'une plaque d'identification par radiofréquence (RFID). Utilisée avec un lecteur portable, la plaque d'identification RFID permet de simplifier l'inspection et le contrôle des stocks, et de conserver les informations concernant votre équipement de protection antichute.

**5.2 DÉFECTUOSITÉS :** Si l'inspection révèle un état dangereux ou défectueux, retirer immédiatement du service le système d'ancrage pour chambranle de porte et contacter 3M pour effectuer un remplacement, ou une réparation. Ne pas essayer de réparer le dispositif antichute.

**Les réparations doivent être effectuées par les réparateurs agréés uniquement :** Seul 3M ou les parties agréées par écrit peuvent réparer cet équipement.

**5.3 DURÉE DE VIE DU PRODUIT :** La durée de vie fonctionnelle du dispositif antichute est déterminée par les conditions de travail et l'entretien. Le produit peut rester en service tant qu'il répond aux critères d'inspection.

**1 Personne qualifiée :** Individu qui possède un diplôme reconnu ou un certificat professionnel et qui bénéficie d'une vaste expérience dans la protection contre les chutes. Cet individu doit être capable de maîtriser la conception, l'analyse, l'évaluation et les spécifications en matière de protection contre les chutes.


**2 Personne compétente :** Personne capable d'identifier des dangers existants et prévisibles dans les milieux de travail ou des conditions de travail non hygiéniques, ou dangereuses pour les ouvriers, et ayant l'autorisation de prendre des mesures correctives rapides pour les éliminer.

## 6.0 ENTRETIEN, RÉVISION, STOCKAGE

- 6.1 NETTOYAGE :** Nettoyer régulièrement les composants métalliques du système d'ancrage pour chambranle de porte avec une brosse douce, de l'eau chaude et une solution légèrement savonneuse. Veiller à rincer les pièces abondamment à l'eau propre.
- 6.2 RÉPARATION :** Seul 3M ou les parties agréées par écrit par 3M peuvent réparer cet équipement. Si le système d'ancrage pour chambranle de porte a été soumis à une force suite à une chute ou si l'inspection révèle un état dangereux ou défectueux, retirer immédiatement ce système du service et contacter 3M pour effectuer un remplacement ou une réparation.
- 6.3 STOCKAGE ET TRANSPORT :** Lorsque le système d'ancrage pour chambranle de porte n'est pas utilisé, rangez-le et transportez-le avec ses accessoires de protection antichute dans un endroit frais, sec et propre, à l'abri des rayons du soleil. Éviter les endroits pouvant contenir des vapeurs chimiques. Inspectez soigneusement les pièces après une période de stockage prolongée.

## 7.0 ÉTIQUETTES

La Figure 9 illustre les étiquettes du système d'ancrage pour chambranle de porte. Les étiquettes doivent être remplacées si elles ne sont pas parfaitement lisibles. Les informations présentes sur chaque étiquette sont les suivantes :

	Lire toutes les instructions.
①	<b>CARACTÉRISTIQUES TECHNIQUES :</b> Capacité : 1 personne, ANSI 140 kg (310 lb) max., OSHA (190 kg, 420 lb) max. Force d'arrêt maximale 816 kg (1 800 lb) Matériaux : Ancrage en aluminium, D d'accrochage alliage acier zingué Normes : Conforme aux normes ANSI Z359.18 Type A et OSHA 1926.502 et 1910.140 Force de rupture minimale : 2 268 kg (5 000 lb, 22 kN) MBS ANSI Temp. de service minimale -40 °F (-40 °C)
②	<b>UTILISATION :</b> Se reporter au manuel de l'utilisateur pour plus de détails sur les connexions. Ne pas laisser la ligne de vie frotter contre des arêtes vives pendant l'utilisation. Prendre des précautions si le dispositif est utilisé à proximité de sources thermiques, électriques ou chimiques présentant un danger. Se reporter au manuel de l'utilisateur pour plus d'informations.
③	<b>INSPECTION :</b> Inspecter l'ancrage avant chaque utilisation. L'ancrage doit être inspecté par une personne compétente au moins une fois par mois conformément au manuel de l'utilisateur. Ne pas utiliser si l'inspection révèle un état dangereux ou défectueux. Non réparable par l'utilisateur.  Ce produit peut être activé dans RFID ; il contient une plaque d'identification électronique pouvant être lue par des lecteurs compatibles, à condition de fournir les informations sur l'inspection et la sécurité.
④	<b>DIRECTIONS DE CHARGE AUTORISÉES :</b> Ne jamais travailler à un angle horizontal supérieur à 30° perpendiculairement à la face du système d'ancrage pour chambranle de porte pour éviter toute charge incorrecte du point de connexion de l'ancrage. Ne jamais travailler au-dessus ou en dessous des points de connexion de l'ancrage dépassant les exigences en matière de charge verticale.
⑤	Ce système d'ancrage pour chambranle de porte doit être installé en bas de l'ouverture de fenêtre ou de porte et reposer sur le seuil. Si l'ancrage ne repose pas sur le seuil, il risque de pivoter une fois chargé et sortir ainsi de l'ouverture de porte ou de fenêtre. Le non-respect de cet avertissement peut entraîner des blessures graves, voire le décès.
⑥	Norme CE et identifiant organisme notifié
⑦	Mois/année de fabrication et numéro de lot
⑧	Les instructions du fabricant doivent avoir été lues et comprises avant toute utilisation du dispositif. Les instructions fournies lors de l'expédition de ce produit doivent être respectées afin de garantir une utilisation, un entretien et une inspection appropriés. Toute modification ou utilisation non conforme de ce produit, ainsi que l'inobservation des instructions le concernant, peuvent entraîner des blessures graves ou un décès. Réalisez uniquement des raccordements compatibles. Voir le manuel de l'utilisateur.
⑨	Numéro modèle de produit
⑩	Pays du fabricant
⑪	Une personne maximum
⑫	Plage de températures d'utilisation : -40 °C à +60 °C
⑬	Relevé d'inspection : Date, initiales

**Tableau 2 – Journal d’inspection et d’entretien**

Date d’inspection :		Inspection par :	
Composants :	Inspection : (Voir la Section 1 pour la <i>Fréquence des inspections</i> )	Utilisateur	Personne compétente <sup>1</sup>
Système d’ancrage pour chambranle de porte (Figure 2)	Vérifier si le système d’ancrage pour chambranle de porte est endommagé : Vérifier s’il présente des craquelures, des traces de choc ou d’autres déformations. Vérifier si le tube de support, l’anneau en D et les mécanismes de réglage sont pliés ou usés. S’assurer qu’aucune pièce n’est desserrée ou manquante.	<input type="checkbox"/>	<input type="checkbox"/>
	Inspecter les mécanismes de réglage. La goupille de réglage grossier doit se verrouiller en cas d’insertion dans les orifices de réglage.	<input type="checkbox"/>	<input type="checkbox"/>
	Inspecter toute l’unité pour détecter des traces de corrosion excessive. Inspecter le couple de serrage sur la vis de réglage précis et le serrer, le cas échéant.	<input type="checkbox"/>	<input type="checkbox"/>
Étiquettes (Figure 10)	Vérifier que toutes les étiquettes sont correctement fixées et lisibles (voir « <i>Étiquettes</i> »)	<input type="checkbox"/>	<input type="checkbox"/>
Structure d’ancrage	Inspecter le chambranle de porte, la fenêtre et/ou la structure pour s’assurer que le support de charge est conforme et que les exigences en matière de résistance stipulées dans le Tableau 1 sont bien remplies.	<input type="checkbox"/>	<input type="checkbox"/>
EPI et autre matériel	Tout matériel supplémentaire d’équipement de protection individuelle (EPI) antichute (Personal Fall Arrest System, PFAS) (harnais, antichute à rappel automatique (Self Retracting Lifeline, SRL), etc) utilisé avec le système d’ancrage Flexiguard doit être installé et inspecté conformément aux instructions du fabricant.	<input type="checkbox"/>	<input type="checkbox"/>
<b>Numéro(s) de série :</b>		<b>Date d’achat :</b>	
<b>Numéro de modèle :</b>		<b>Date de la première utilisation :</b>	
<b>Mesures correctives/entretien :</b>		Approuvé par :	
		Date :	
<b>Mesures correctives/entretien :</b>		Approuvé par :	
		Date :	
<b>Mesures correctives/entretien :</b>		Approuvé par :	
		Date :	
<b>Mesures correctives/entretien :</b>		Approuvé par :	
		Date :	
<b>Mesures correctives/entretien :</b>		Approuvé par :	
		Date :	
<b>Mesures correctives/entretien :</b>		Approuvé par :	
		Date :	
<b>Mesures correctives/entretien :</b>		Approuvé par :	
		Date :	
<b>Mesures correctives/entretien :</b>		Approuvé par :	
		Date :	
<b>Mesures correctives/entretien :</b>		Approuvé par :	
		Date :	
<b>Mesures correctives/entretien :</b>		Approuvé par :	
		Date :	
<b>Mesures correctives/entretien :</b>		Approuvé par :	
		Date :	

**1** **Personne compétente** : Personne capable d’identifier des dangers existants et prévisibles dans les milieux de travail ou des conditions de travail non hygiéniques, ou dangereuses pour les ouvriers, et ayant l’autorisation de prendre des mesures correctives rapides pour les éliminer.

## INFORMATION DE SÉCURITÉ

**Veillez lire, comprendre et suivre toutes les informations de sécurité contenues dans ces instructions avant d'utiliser ce connecteur d'ancrage. LE NON-RESPECT DE CES INSTRUCTIONS PEUT ENTRAÎNER DES BLESSURES GRAVES, VOIRE LA MORT.**

**Ces instructions doivent être transmises à l'utilisateur de cet équipement. Veillez conserver ces instructions pour une utilisation ultérieure.**

### Utilisation prévue :

Ce connecteur d'ancrage est prévu pour être utilisé comme partie intégrante d'un système de protection antichute personnel complet.

L'utilisation dans le cadre d'autres applications comme, sans en exclure d'autres, des activités récréatives ou liées au sport, ou d'autres activités non décrites dans les instructions destinées à l'utilisateur, n'est pas approuvée par 3M et peut entraîner des blessures graves voire la mort.

Ce dispositif doit être utilisé uniquement par des usagers formés sur les applications du lieu de travail.

## AVERTISSEMENT

Ce connecteur d'ancrage fait partie intégrante d'un système de protection antichute personnel complet. Il est attendu que tous les usagers sont entièrement formés sur l'installation sécuritaire et le fonctionnement de leur système de protection antichute personnel. **Une mauvaise utilisation de ce dispositif peut entraîner des blessures graves, voire la mort.** Pour s'assurer d'un choix, d'un fonctionnement, d'une installation, de travaux d'entretien et de réparation appropriés, reportez-vous à ces instructions de l'utilisateur ainsi qu'à toutes les recommandations du fabricant, consultez votre superviseur ou communiquez avec les services techniques de 3M.

- **Pour réduire les risques associés au travail en hauteur avec un connecteur d'ancrage qui, s'ils ne sont pas évités, pourraient entraîner de graves blessures, voire la mort :**
  - Inspectez le dispositif avant chaque utilisation, au moins annuellement, et après chaque cas de chute. Réalisez l'inspection conformément aux instructions de l'utilisateur.
  - Si l'inspection révèle l'existence d'une défectuosité ou d'un problème affectant la sécurité, mettez l'équipement hors service et faites-le réparer ou remplacez-le conformément à ces instructions.
  - Tout dispositif ayant été soumis à un arrêt de chute ou à une force d'impact doit être immédiatement retiré du service et détruit.
  - Ce dispositif ne doit être installé que sur les structures ou dans les substrats spécifiés, comme il est précisé dans les instructions de l'utilisateur. Toute installation ou utilisation qui est hors de la portée de ces instructions doit être approuvée par le service de protection antichute de 3M.
  - La structure ou le substrat auquel le connecteur d'ancrage est fixé doit pouvoir résister aux charges statiques précisées pour le dispositif d'ancrage dans les sens permis indiqués dans les instructions de l'utilisateur.
  - Ne connectez les autres sous-systèmes de protection antichute qu'au point de connexion d'ancrage désigné sur le dispositif.
  - Avant de procéder au perçage ou à une fixation, assurez-vous que la perceuse ou le dispositif n'entrera pas en contact avec des lignes électriques, des conduites de gaz ou d'autres systèmes intégrés critiques.
  - Assurez-vous que les systèmes/sous-systèmes de protection antichute assemblés à partir de composants fabriqués par différents fabricants sont compatibles et répondent aux exigences des normes applicables, y compris la norme ANSI Z359 ou d'autres codes, normes ou exigences de protection antichute applicables. Consultez toujours une personne qualifiée ou compétente avant d'utiliser ces systèmes.
- **Pour réduire les risques associés au travail en hauteur qui, s'ils ne sont pas évités, pourraient entraîner des blessures graves, voire la mort :**
  - Assurez-vous que votre condition physique et votre état de santé vous permettent de supporter en toute sécurité toutes les forces associées au travail en hauteur. Consultez votre médecin en cas de questions sur votre capacité à utiliser cet équipement.
  - Ne dépassez jamais la capacité maximale permise de votre équipement de protection antichute.
  - Ne dépassez jamais la distance maximale de chute libre de votre équipement de protection antichute.
  - N'utilisez jamais un équipement de protection antichute qui échoue à une inspection préalable à son utilisation ou à toute autre inspection programmée ou encore si vous vous inquiétez de l'utilisation ou de la pertinence de l'équipement pour votre application. En cas de questions, n'hésitez pas à communiquer avec les services techniques de 3M.
  - Certaines combinaisons de sous-systèmes et de composants peuvent gêner le fonctionnement de cet équipement. N'utilisez que des connecteurs compatibles. Consultez 3M avant d'employer cet équipement conjointement avec des composants ou des sous-systèmes autres que ceux décrits dans les instructions à l'utilisateur.
  - Prenez des précautions supplémentaires lorsque vous travaillez à proximité d'une machinerie mobile (p. ex. l'entraînement supérieur d'une plateforme pétrolière), risques électriques, températures extrêmes, risques chimiques, gaz explosifs ou toxiques, bords tranchants ou matériaux en suspension pouvant endommager l'utilisateur ou l'équipement.
  - Lorsque vous travaillez dans un environnement où la chaleur est élevée, utilisez des appareils dont l'usage se fait en environnement chaud ou en présence d'arc électrique.
  - Évitez les surfaces et les objets qui pourraient endommager l'équipement de l'utilisateur.
  - Lorsque vous travaillez en hauteur, vérifiez d'abord que la distance d'arrêt est adéquate.
  - Ne modifiez jamais votre équipement de protection antichute. Seules 3M ou les parties autorisées par écrit par 3M sont en droit d'effectuer des réparations sur cet équipement.
  - Avant d'utiliser un équipement de protection antichute, assurez-vous qu'un plan de sauvetage est en place et permet un sauvetage rapide en cas de chute.
  - Si un tel incident devait se produire, obtenez des soins médicaux immédiats pour le travailleur tombé.
  - N'utilisez pas de ceinture de travail dans les applications de protection antichute. N'utilisez qu'un harnais de sécurité complet.
  - Vous pouvez réduire les chutes oscillantes en travaillant aussi près que possible de l'ancrage.
  - Si ce dispositif est utilisé en formation, un second système de protection antichute doit être utilisé aussi de façon à ne pas exposer le stagiaire à un danger de chute involontaire.
  - Portez toujours un équipement de protection individuelle approprié lors de l'installation, de l'utilisation ou de l'inspection du dispositif/système.

Avant d'installer et utiliser cet équipement, enregistrez l'information d'identification de produit de l'étiquette d'identification dans le Journal d'inspection et d'entretien (Tableau 2) à l'arrière de ce manuel.

### DESCRIPTION DU PRODUIT :

La Figure 1 illustre l'ancrage de montant de porte 3MMC DBI-SALAMD. L'ancrage de montant de porte est un connecteur d'ancrage à point unique qui s'installe dans une ouverture de fenêtre ou de porte.

La Figure 2 illustre les composants de l'ancrage de montant de porte. Voir le Tableau 1 pour connaître les spécifications. L'ancrage de montant de porte est composé d'un tube de support (A) doté d'une patte fixe (B) et d'une patte réglable (C) qui coulisse le long du tube de support pour s'adapter à l'ouverture de porte ou de fenêtre. La patte réglable est dotée d'une série de trous et d'une goupille (D) permettant d'effectuer un ajustement approximatif. Une fois la patte réglable maintenue au moyen de la goupille, un bouton de pied à visser (E) est serré afin de fixer l'ancrage à une ouverture de porte ou de fenêtre. Un dé d'accrochage (F) situé sur le tube de support sert de point de connexion pour une longe ou un dispositif autorétractable (DAR).

**Tableau 1 – Spécifications**

Spécifications du système :	
<b>Capacité :</b>	<b>ANSI/CE :</b> Le poids combiné d'une personne (avec vêtements, outils, etc.) ne doit pas dépasser 140 kg (310 lb). <b>OSHA :</b> Le poids combiné d'une personne (avec vêtements, outils, etc.) ne doit pas dépasser 190 kg (420 lb)
<b>Résistance d'ancrage :</b>	<b>ANSI/OSHA</b> <b>Antichute :</b> La structure à laquelle le connecteur d'ancrage est connecté doit pouvoir soutenir des charges statiques appliquées dans les directions autorisées par le dispositif antichute d'au moins : 16 kN (3 600 lb) avec certification par une personne qualifiée <sup>2</sup> ; ou 22 kN (5 000 lb) sans certification. Lorsque plusieurs équipements de protection individuelle (EPI) antichute sont fixés à un ancrage, ces charges statiques doivent être multipliées par le nombre de dispositifs antichute fixés à l'ancrage.  <input checked="" type="checkbox"/> <b>Normes OSHA 1926.500 et OSHA 1910.66 :</b> Les ancrages utilisés pour la fixation d'un équipement de protection individuelle (EPI) antichute doivent être indépendants de tout ancrage utilisé pour soutenir ou suspendre les plateformes, et doivent pouvoir supporter au moins 22 kN (5 000 lb) par utilisateur raccordé, ou être conçus, installés et utilisés comme composants d'un dispositif antichute complet dont le facteur minimal de sécurité est de deux et supervisés par une personne qualifiée <sup>2</sup> .  <b>Dispositif de sécurité :</b> La structure à laquelle le connecteur d'ancrage est fixé doit pouvoir soutenir des charges statiques appliquées dans les directions autorisées par le dispositif de sécurité d'au moins 13 kN (3 000 lb). Lorsque plusieurs dispositifs de sécurité sont fixés à un ancrage, la charge statique doit être multipliée par le nombre de dispositifs de sécurité fixés à l'ancrage.
	<b>CE EN795</b> <b>Structure de l'ancrage :</b> La structure à laquelle le connecteur d'ancrage est fixé doit être en mesure de supporter la force appliquée, dans le sens de chargement anticipé. Chaque emplacement de point d'ancrage doit être en mesure de supporter des charges de 12 kN (2 698 lb).
<b>Température de service :</b>	-40 °C (-40 °F)
<b>Résistance à la rupture du connecteur d'ancrage</b>	Résistance à la rupture minimale : 22 kN (5000 lb)
<b>Largeur de montant de porte/fenêtre :</b>	Voir la Figure 1 : Largeur minimale : 54,6 cm (21,5 po), largeur maximale : 129,5 cm (51,0 po)
<b>Dimensions du produit :</b>	Voir la Figure 1
<b>Poids du produit :</b>	6,3 kg (14,0 lb)

### Spécifications des composants :

Figure 2 Référence	Composant	Matériels	Notes
(A)	Tube de support	Aluminium	
(B)	Patte fixe	Tube – aluminium Pied – acier Coussin – caoutchouc	
(C)	Patte réglable	Aluminium	
(D)	Goupille de réglage approximatif	Acier	
(E)	Poignée de réglage fin	Bouton – acier Vis – acier Pied – acier Coussin – caoutchouc	
(F)	Dé d'accrochage	Alliage d'acier	Résistance à la traction – 22,2 kN (5 000 lb)

<sup>1</sup> **Personne qualifiée :** Une personne possédant un diplôme ou un certificat professionnel et une grande expérience en protection contre les chutes. Cette personne doit être en mesure de concevoir, d'analyser, d'évaluer et de spécifier des systèmes de protection contre les chutes.

## 1.0 APPLICATION DU PRODUIT

- 1.1 OBJECTIF :** Les connecteurs d'ancrage sont conçus pour fournir des points de connexion d'ancrage pour les dispositifs antichute<sup>1</sup> ou les dispositifs de retenue<sup>2</sup> : dispositif de sécurité, positionnement de travail, déplacement de personnel, sauvetage, etc.

**Pour la prévention des chutes seulement :** Ce connecteur d'ancrage est conçu pour la connexion d'équipement de protection contre les chutes. Ne pas connecter d'équipement de levage au moyen de ce connecteur d'ancrage.

- 1.2 NORMES :** Votre connecteur d'ancrage est conforme à la ou aux normes nationales ou régionales identifiées sur la couverture avant de ces instructions. Si ce produit est revendu en dehors du pays d'origine de destination, le revendeur doit fournir ces instructions dans la langue du pays dans lequel le produit est utilisé.
- 1.3 SUPERVISION :** L'installation de cet équipement doit être supervisée par une personne qualifiée<sup>3</sup>. L'utilisation de cet équipement doit être supervisée par une Personne qualifiée<sup>4</sup>.
- 1.4 FORMATION :** Cet équipement doit être installé et utilisé par des personnes formées pour que son application soit appropriée. Ce manuel doit être utilisé dans le cadre d'un programme de formation pour les employés, comme requis par CE. L'utilisateur et l'installateur de cet équipement sont tenus de se familiariser avec ces instructions, de suivre une formation afin de maintenir et d'utiliser correctement cet équipement et de bien connaître les caractéristiques opérationnelles, les limites des applications ainsi que les conséquences d'une utilisation inappropriée de cet équipement.
- 1.5 PLAN DE SAUVETAGE :** Pour l'utilisation de cet équipement et des sous-systèmes de connexion, l'employeur doit avoir un plan de sauvetage et les moyens à portée de main pour le mettre en œuvre et le communiquer aux utilisateurs, aux personnes autorisées<sup>5</sup> et aux sauveteurs<sup>6</sup>. Il est conseillé d'avoir une équipe de sauvetage présente sur place. Les membres de l'équipe doivent avoir l'équipement et les connaissances techniques afin de pouvoir accomplir un sauvetage réussi. La formation doit être répétée régulièrement afin d'assurer l'efficacité des sauveteurs.
- 1.6 FRÉQUENCE D'INSPECTION :** Le connecteur d'ancrage doit être inspecté par l'utilisateur avant chaque utilisation et, en outre, par une personne qualifiée autre que l'utilisateur à des intervalles n'excédant pas une fois par an.<sup>7</sup> Les procédures d'inspection sont décrites dans le « *Journal d'inspection et d'entretien* ». Les résultats de chaque inspection effectuée par une personne qualifiée doivent être consignés sur des exemplaires du « *Journal d'inspection et d'entretien* ».
- 1.7 APRÈS UNE CHUTE :** Si le connecteur d'ancrage été soumis aux forces d'arrêt d'une chute, il doit être retiré du service immédiatement et détruit.

## 2.0 EXIGENCES DU SYSTÈME

- 2.1 ANCRAGE :** Les exigences d'ancrage varient selon l'utilisation de la protection antichute. La structure sur laquelle le connecteur d'ancrage est placé ou monté doit satisfaire les spécifications d'ancrage définies dans le Tableau 1.
- 2.2 ÉQUIPEMENT DE PROTECTION INDIVIDUELLE (EPI) ANTICHUTE :** La figure 1 illustre l'utilisation de ce connecteur d'ancrage. L'équipement de protection individuelle (EPI) antichute utilisé avec ce système doit être conforme aux normes, aux codes et aux exigences applicables en matière de protection contre les chutes. Consultez les instructions incluses avec votre longe ou votre dispositif autorétractable pour plus de détails sur les limites associées aux chutes libres. L'équipement de protection individuelle (EPI) antichute doit comporter un harnais de sécurité complet et limiter la force d'arrêt maximale aux valeurs suivantes :

	ANSI/OSHA	CE
EPI antichute avec corde amortissante	4 kN (900 lb)	6 kN (1 350 lb)
EPI avec dispositif à rappel automatique	4 kN (900 lb)	6 kN (1 350 lb)

- 2.3 TRAJECTOIRE DE CHUTE ET VITESSE DE BLOCAGE DU DAR :** Une trajectoire de chute non obstruée est nécessaire pour que le DAR se bloque normalement. Les situations où la trajectoire de chute n'est pas dégagée doivent être évitées. Lorsqu'une personne travaille dans un espace réduit ou étroit, il est possible qu'en cas de chute, le corps ne puisse pas atteindre une vitesse suffisante pour que le dispositif autorétractable se bloque. De même, il est possible qu'une personne travaillant sur un matériau instable, comme du sable ou du grain, ne puisse pas chuter à une vitesse suffisante pour bloquer le DAR.
- 2.4 DANGERS :** L'utilisation de cet équipement dans des zones de dangers environnementaux peut exiger de prendre des précautions additionnelles afin d'éviter que l'utilisateur ne se blesse ou que l'équipement ne subisse des dommages. Ces dangers peuvent inclure, entre autres, la chaleur, les produits chimiques caustiques, les environnements corrosifs, les lignes électriques à haute tension, les gaz toxiques ou explosifs, les machines en mouvement, les rebords tranchants ou les matériaux suspendus pouvant tomber et entrer en contact avec l'utilisateur ou l'équipement de protection individuelle (EPI) antichute.

**1 Dispositif antichute :** Ensemble de dispositifs antichute configurés pour arrêter une chute libre.

**2 Dispositif de retenue antichute :** Ensemble d'équipements de protection antichute configurés pour empêcher le centre de gravité de la personne d'atteindre un danger de chute.

**3 Personne qualifiée :** Une personne possédant un diplôme ou un certificat professionnel et une grande expérience en protection contre les chutes. Cette personne doit être en mesure de concevoir, d'analyser, d'évaluer et de spécifier des systèmes de protection contre les chutes.

**4 Personne compétente :** Personne capable d'identifier dans une zone de travail et ses environs les dangers existants et prévisibles pouvant être associés à des conditions insalubres ou dangereuses pour les employés et qui est autorisée à adopter des mesures correctives immédiates pour les éliminer.

**5 Personne autorisée :** personne affectée par l'employeur et chargée d'exécuter des travaux à un emplacement qui l'expose à un danger de chute (dans le cadre des normes Z359).

**6 Sauveteur :** toute personne autre que la personne secourue effectuant un sauvetage assisté à l'aide d'un équipement de sauvetage.

**7 Fréquence d'inspection :** Des conditions de travail extrêmes (environnements rigoureux, utilisation prolongée, etc.) peuvent nécessiter des inspections plus fréquentes de la part de personnes qualifiées.



- 2.5 DISTANCE D'ARRÊT :** La figure 3 illustre les composants du dispositif antichute. La distance d'arrêt (DA) sous l'utilisateur doit être suffisante pour arrêter la chute avant qu'il n'entre en contact avec le sol ou tout autre obstacle. Le dégagement est affecté par un certain nombre de facteurs, notamment : (A) Emplacement de l'ancrage, (B) Longueur de la longe, (C) Distance de décélération de la longe ou distance d'arrêt maximale du DAR, (D) Étirement du harnais et affaissement et longueur du connecteur/dé d'accrochage (habituellement un facteur de sécurité de 1 m). Reportez-vous aux instructions fournies avec votre dispositif antichute pour de plus amples détails sur le calcul de la distance d'arrêt.
- 2.6 CHUTES OSCILLANTES :** Les chutes oscillantes se produisent lorsque le point d'ancrage ne se trouve pas directement au-dessus du point où une chute se produit (voir la figure 4). En cas de chute oscillante, la force du choc contre un objet risque d'entraîner des blessures graves, voire mortelles. Vous pouvez réduire les chutes oscillantes en travaillant aussi près que possible de l'ancrage. Ne vous exposez pas à une situation de chute oscillante s'il y a un risque de blessure. Les chutes oscillantes requièrent une plus grande distance d'arrêt lors de l'utilisation d'une ligne de vie auto-rétractable ou de tout autre sous-système de connexion à longueurs variables.
- 2.7 COMPATIBILITÉ DES COMPOSANTS :** L'équipement 3M est destiné à être utilisé uniquement avec des composants et des sous-systèmes approuvés par 3M. Les substitutions ou les remplacements effectués avec des composants ou des sous-systèmes non approuvés peuvent affecter la compatibilité de l'équipement ainsi que la sécurité et la fiabilité du système dans son ensemble.
- 2.8 COMPATIBILITÉ DES CONNECTEURS :** Les connecteurs sont considérés comme compatibles avec d'autres éléments de connexion lorsqu'ils ont été conçus pour être utilisés ensemble et de manière à ce que leur taille et leur forme ne provoquent pas l'ouverture accidentelle de mécanismes de verrouillage, quelle que soit leur orientation. Communiquer avec 3M pour toute question sur la compatibilité.
- Les connecteurs (crochets, mousquetons et dés d'accrochage) doivent pouvoir soutenir une charge minimale de 22,2 kN (5 000 lb). Les connecteurs doivent être compatibles avec l'ancrage ou tout autre composant du système. N'utiliser aucun équipement non compatible. Les connecteurs non compatibles peuvent se décrocher accidentellement (voir la Figure 5). Les connecteurs doivent être compatibles en ce qui concerne leur taille, leur forme et leur résistance. Si le connecteur sur lequel se fixe le crochet mousqueton ou les fixations du mousqueton est plus petit ou de forme irrégulière, celui-ci risque d'exercer une force sur le doigt du crochet mousqueton ou du mousqueton (A). Cette force peut entraîner l'ouverture du doigt (B), permettant ainsi au crochet mousqueton ou au mousqueton de se désengager du point de connexion (C).
- Des crochets standard et des mousquetons autoverrouillants sont requis par les normes ANSI Z359 et OSHA.
- 2.9 ÉTABLISSEMENT DE CONNEXIONS :** Les crochets mousquetons et mousquetons utilisés avec cet équipement doivent être autobloquants. Assurez-vous que toutes les connexions sont compatibles en ce qui concerne leur taille, leur forme et leur résistance. N'utiliser aucun équipement non compatible. Assurez-vous que tous les connecteurs sont bien fermés et verrouillés.
- Les connecteurs 3M (crochets mousquetons et mousquetons) sont conçus pour être utilisés uniquement selon les instructions propres à chacun des produits. Consulter la Figure 6 pour obtenir des exemples de connexions inappropriées. Ne pas connecter de crochet mousqueton et mousqueton :
- À un dé d'accrochage auquel est fixé un autre connecteur.
  - De façon à exercer une charge sur la clavette. Les crochets standard à ouverture large ne doivent pas être connectés à des dés d'accrochage de taille standard ou des objets semblables qui pourraient entraîner une charge sur la clavette si le crochet ou le dé d'accrochage se tordait ou pivotait, à moins que le crochet standard soit conforme et muni d'une clavette de 3 600 lb (16 kN). Vérifiez les inscriptions sur votre crochet standard afin de vous assurer qu'il convient à votre application.
  - Dans un faux raccord où des éléments rattachés au crochet mousqueton ou au mousqueton s'accrochent dans l'ancrage et, sans une confirmation visuelle, semblent complètement attachés au point d'ancrage.
  - Entre eux.
  - Directement à la sangle ou à la longe ou l'ancrage sous tension (à moins que les instructions du fabricant de la longe et du connecteur n'autorisent une connexion de ce type).
  - À un objet dont la forme ou la dimension empêche la fermeture et le verrouillage du crochet mousqueton ou mousqueton, ou provoque leur décrochage.
  - De manière ne permettant pas au connecteur de s'aligner correctement pendant qu'il est sous tension.

### 3.0 INSTALLATION

Pour obtenir un point d'ancrage certifié, la structure à laquelle le connecteur d'ancrage est fixé doit être conçue ou évaluée par une personne qualifiée<sup>1</sup>. Un point d'ancrage non certifié peut être approuvé par une personne qualifiée<sup>2</sup> (voir le Tableau 1).

**3.1 PLANIFICATION :** Planifiez votre système de protection antichute avant l'installation de l'ancrage de montant de porte. Prenez en compte tous les facteurs qui pourraient affecter la sécurité de l'utilisateur avant, pendant et après une chute. Tenez compte de toutes les exigences, restrictions et spécifications indiquées dans la section 2 et le tableau 1.

**3.2 INSTALLATION DE L'ANCRAGE DE MONTANT DE PORTE :** L'ancrage de montant de porte peut être installé sur n'importe quel montant de porte et fenêtre dont les largeurs minimale et maximale permises sont conformes aux exigences des spécifications de l'ancrage (voir le tableau 1). La figure 7 illustre l'installation de l'ancrage de montant de porte. Pour installer l'ancrage de montant de porte :

1. En retirant la goupille de sécurité et en glissant la patte réglable vers le dé d'accrochage, réglez l'ancrage de montant de porte pour qu'il s'insère à l'intérieur de l'ouverture choisie. Faites pivoter le bouton de réglage fin dans le sens antihoraire jusqu'à ce que le pied s'appuie fermement contre le tube de support.
2. Installez l'ancrage de montant de porte dans l'ouverture de la porte ou de la fenêtre en plaçant le dé d'accrochage dans la direction où s'effectuera le travail. La patte réglable peut indifféremment être placée sur le côté droit ou gauche de l'ouverture. L'ancrage de montant de porte doit reposer sur le seuil de la porte ou de la fenêtre. N'installez jamais un ancrage de montant de porte dans une position où il ne repose pas sur le seuil de la porte ou de la fenêtre.
3. Faites glisser la patte réglable aussi près que possible du montant de porte ou de fenêtre, puis insérez la goupille de réglage approximatif dans l'ensemble de trous de réglage le plus près. Fixez solidement l'ancrage dans l'ouverture de porte ou de fenêtre en serrant le bouton de réglage fin. Une fois l'installation terminée, l'ancrage de montant de porte doit être solide et sécuritaire.

### 4.0 UTILISATION

**4.1 AVANT CHAQUE UTILISATION :** Vérifiez que votre domaine de travail et l'équipement de protection individuelle (EPI) antichute répondent à tous les critères définis à la Section 2 et qu'un plan de sauvetage est en place. Inspectez l'ancrage de montant de porte en suivant les points d'inspection « Utilisateur » définis dans le « Journal d'inspection et d'entretien » (Tableau 2). Si une inspection révèle un état non sécuritaire ou défectueux, n'utilisez pas le système. Mettez le système hors service et détruisez-le, ou communiquez avec 3M pour son remplacement ou sa réparation.

**4.2 CONNEXIONS ANTICHUTE :** L'ancrage de montant de porte est utilisé avec un harnais complet et une longe amortissante ou un dispositif autorétractable (DAR). La figure 8 illustre la connexion de la longe (A) ou du dispositif autorétractable (B) entre le harnais et l'ancrage de montant de porte. Connectez la longe ou le dispositif autorétractable entre le dé d'accrochage de l'ancrage de montant de porte et le dé d'accrochage dorsal à l'arrière du harnais, comme indiqué dans les instructions comprises avec la longe ou le dispositif autorétractable.

**Zone de travail sécuritaire :** La figure 8 illustre la zone de travail sécuritaire de l'ancrage de montant de porte. Pour éviter le chargement inadéquat du point de connexion d'ancrage, ne travaillez jamais à un angle horizontal supérieur à 30° par rapport à l'axe perpendiculaire de la face de l'ancrage de montant de porte (voir la figure 2). Ne prenez jamais une position de travail, au-dessus ou en dessous des points de connexion d'ancrage, qui ferait en sorte que le chargement excède les exigences de chargement vertical illustrées à la figure 2.

### 5.0 INSPECTION

**5.1 FRÉQUENCE D'INSPECTION :** L'ancrage de montant de porte doit être inspecté en fonction des intervalles définis dans la section 1. Les procédures d'inspection sont décrites dans le « Journal d'inspection et d'entretien » (Tableau 2). Inspectez tous les autres composants du système de protection antichute selon les fréquences et les procédures définies dans les instructions du fabricant.

**Étiquette IRF :** Certains ancrages de montant de porte sont dotés d'une étiquette d'identification par radiofréquence (IRF). L'étiquette IRF peut être utilisée conjointement avec l'appareil de lecture portable pour simplifier l'inspection et le contrôle de l'inventaire, et fournit le dossier de votre équipement de protection antichute.

**5.2 DÉFAUTS :** Si l'inspection révèle une condition dangereuse ou une défectuosité, mettez immédiatement l'ancrage de montant de porte hors service et contactez 3M pour son remplacement ou sa réparation. N'essayez pas de réparer le dispositif antichute.

**Réparations autorisées seulement :** Seules 3M ou les parties autorisées par écrit sont en droit d'effectuer des réparations sur cet équipement.

**5.3 DURÉE DE VIE DU PRODUIT :** La durée de vie du système antichute est déterminée par les conditions de travail et l'entretien. Tant que le système satisfait aux critères d'inspection, il peut être utilisé.

### 6.0 ENTRETIEN, SERVICE, ENTREPOSAGE

**6.1 NETTOYAGE :** Nettoyez régulièrement les composants métalliques de l'ancrage de montant de porte à l'aide d'une brosse douce, d'eau chaude et d'une solution savonneuse douce. Assurez-vous de rincer les pièces minutieusement à l'eau propre.


**1 Personne qualifiée :** Une personne possédant un diplôme ou un certificat professionnel et une grande expérience en protection contre les chutes. Cette personne doit être en mesure de concevoir, d'analyser, d'évaluer et de spécifier des systèmes de protection contre les chutes.

**2 Personne compétente :** Personne capable d'identifier dans une zone de travail et ses environs les dangers existants et prévisibles pouvant être associés à des conditions insalubres ou dangereuses pour les employés et qui est autorisée à adopter des mesures correctives immédiates pour les éliminer.

- 6.2 SERVICE :** Seules 3M ou les parties autorisées par écrit par 3M sont en droit d'effectuer des réparations sur cet équipement. Si l'ancrage de montant de porte a été assujéti à une force de chute ou si l'inspection révèle des conditions dangereuses ou des défauts, retirez-le du service et communiquez avec 3M pour son remplacement ou sa réparation.
- 6.3 ENTREPOSAGE ET TRANSPORT :** Lorsqu'il n'est pas utilisé, rangez l'ancrage de montant de porte avec ses équipements antichute associés dans un endroit frais, sec et propre, à l'abri de la lumière directe du soleil. Évitez les zones dans lesquelles pourraient se retrouver des vapeurs chimiques. Procédez à un examen minutieux après un entreposage prolongé.

## 7.0 ÉTIQUETTES

La figure 9 illustre les étiquettes appliquées sur l'ancrage de montant de porte. Si elles ne sont pas parfaitement lisibles, les étiquettes doivent être remplacées. Les informations apparaissant sur chaque étiquette sont les suivantes :

	Lisez toutes les instructions.
①	<p><b>CARACTÉRISTIQUES TECHNIQUES :</b> Capacité : 1 personne, 140 kg (310 lb) selon les normes ANSI, 190 kg (420 lb) max. selon les normes OSHA.            Force d'arrêt maximale de 8 kN (1800 lb)            Matériaux : Ancre en aluminium; Dé d'accrochage en acier allié zingué            Normes : Conforme aux normes ANSI Z359.18 et OSHA 1926.502 et 1910.140            Force de rupture minimale : MBS de 22 kN (5 000 lb)            Temp. minimum de service selon ANSI -40 °C (-40 °F)</p>
②	<p><b>UTILISATION :</b> Consultez le manuel de l'utilisateur pour obtenir des renseignements sur les connexions. Ne laissez pas les cordes d'assurance s'abriter contre des arêtes vives durant l'utilisation. Faites preuve de prudence lorsque vous utilisez cet équipement près de sources de danger thermique, électrique ou chimique. Consultez le manuel de l'utilisateur pour de plus amples renseignements.</p>
③	<p><b>INSPECTION :</b> Inspectez l'ancrage avant chaque utilisation. Une inspection de l'ancrage doit être effectuée par une personne qualifiée au moins chaque mois selon le manuel de l'utilisateur. Si une inspection révèle un état non sécuritaire ou douteux, n'utilisez pas cet équipement. N'est pas réparable par l'utilisateur.</p> <p>Ce produit prend en charge la technologie IRF et contient une étiquette électronique lisible par des lecteurs compatibles fournissant des renseignements concernant l'inspection et autres renseignements sur la sécurité.</p>
④	<p><b>DIRECTIONS DE CHARGEMENT PERMISES :</b> Pour éviter le chargement inadéquat du point de connexion d'ancrage, ne travaillez jamais à un angle horizontal supérieur à 30° par rapport à l'axe perpendiculaire de la face de l'ancrage de montant de porte. Ne prenez jamais une position de travail, au-dessus ou en dessous des points de connexion d'ancrage, qui ferait en sorte que le chargement excède les exigences de chargement vertical.</p>
⑤	<p>Cet ancrage de montant de porte doit être installé sur le seuil de la porte ou de la fenêtre. Si l'ancrage ne repose pas sur le seuil, il peut pivoter. Une fois chargé, permettant à l'ancrage de se détacher de l'ouverture de fenêtre ou de porte. Le défaut de vous conformer à cet avertissement peut entraîner de graves blessures, voire la mort.</p>
⑥	Norme CE et ID de l'organisme notifié
⑦	Année/mois de fabrication et numéro de lot
⑧	<p>Les instructions du fabricant doivent être lues et comprises avant l'utilisation. Les instructions fournies avec ce produit au moment de la livraison doivent être respectées afin d'assurer une utilisation, une inspection et un entretien adéquats. La modification ou le mauvais usage de ce produit, ou le défaut de respecter les directives peut entraîner de graves blessures, voire la mort. N'utilisez que des connecteurs compatibles. Reportez-vous au manuel de l'utilisateur.</p>
⑨	Numéro de modèle du produit
⑩	Emplacement du fabricant
⑪	Une personne maximum
⑫	Plage de température d'utilisation : -40 °C à 60 °C
⑬	Registre d'inspection : Date, initiales

**Tableau 2 – Journal d’inspection et d’entretien**

<b>Date d’inspection :</b>		<b>Inspecté par :</b>	
<b>Composants :</b>	<b>Inspection :</b> (Voir la section 1 : <i>Fréquence d’inspection</i> )	<b>Utilisateur</b>	<b>Personne qualifiée<sup>1</sup></b>
Ancrage de montant de porte (Figure 2)	Inspectez l’ancrage de montant de porte pour détecter tout dommage : Portez attention à tout signe de fissure, d’enfoncement ou de déformation. Examinez le tube de support, le dé d’accrochage et les mécanismes de réglage pour détecter tout signe d’usure ou de pièces pliées. Assurez-vous qu’aucune pièce n’est desserrée ou manquante.	<input type="checkbox"/>	<input type="checkbox"/>
	Inspectez les mécanismes de réglage. La goupille de réglage approximatif doit bloquer les pattes de l’ancrage lorsqu’elle est insérée dans n’importe lequel des trous de réglage.	<input type="checkbox"/>	<input type="checkbox"/>
	Inspectez l’ancrage au complet pour détecter tout excès de corrosion. Inspectez le serrage de la vis de réglage fin et serrez-la au besoin.	<input type="checkbox"/>	<input type="checkbox"/>
Étiquettes (Figure 10)	Vérifiez que toutes les étiquettes sont fermement apposées et qu’elles sont lisibles (voir « <i>Étiquettes</i> »).	<input type="checkbox"/>	<input type="checkbox"/>
Structure d’ancrage	Inspectez le cadre de porte, la fenêtre, et/ou la structure pour vous assurer que la charge peut être supportée en entier et comble les exigences en matière de résistance détaillées dans le Tableau 1.	<input type="checkbox"/>	<input type="checkbox"/>
Équipement de protection individuelle (EPI) antichute et autres équipements	Tout équipement de protection individuelle (EPI) antichute (harnais, corde d’assurance autorétractable, etc.) utilisé avec le système d’ancrage Flexiguard doit être installé et inspecté conformément aux instructions du fabricant.	<input type="checkbox"/>	<input type="checkbox"/>
<b>Numéro(s) de série :</b>		<b>Date d’achat :</b>	
<b>Numéro de modèle :</b>		<b>Date de première utilisation :</b>	
<b>Mesures correctives/entretien :</b>		Approuvé par :	
		Date :	
<b>Mesures correctives/entretien :</b>		Approuvé par :	
		Date :	
<b>Mesures correctives/entretien :</b>		Approuvé par :	
		Date :	
<b>Mesures correctives/entretien :</b>		Approuvé par :	
		Date :	
<b>Mesures correctives/entretien :</b>		Approuvé par :	
		Date :	
<b>Mesures correctives/entretien :</b>		Approuvé par :	
		Date :	
<b>Mesures correctives/entretien :</b>		Approuvé par :	
		Date :	
<b>Mesures correctives/entretien :</b>		Approuvé par :	
		Date :	
<b>Mesures correctives/entretien :</b>		Approuvé par :	
		Date :	
<b>Mesures correctives/entretien :</b>		Approuvé par :	
		Date :	
<b>Mesures correctives/entretien :</b>		Approuvé par :	
		Date :	

**1 Personne compétente :** Personne capable d’identifier dans une zone de travail et ses environs les dangers existants et prévisibles pouvant être associés à des conditions de travail dangereuses pour les employés et qui est autorisée à prendre des mesures correctives immédiates pour les éliminer.

## ΠΛΗΡΟΦΟΡΙΕΣ ΑΣΦΑΛΕΙΑΣ

GR

Παρακαλούμε διαβάστε, κατανοήστε και ακολουθήστε όλες τις πληροφορίες ασφαλείας που περιέχονται στις παρούσες οδηγίες πριν από τη χρήση του Συνδέσμου Αγκίστρωσης. **ΕΑΝ ΔΕΝ ΤΗΡΗΣΕΤΕ ΤΑ ΠΑΡΑΠΑΝΩ, ΜΠΟΡΕΙ ΝΑ ΠΡΟΚΛΗΘΕΙ ΣΟΒΑΡΟΣ ΤΡΑΥΜΑΤΙΣΜΟΣ Ή ΘΑΝΑΤΟΣ.**

Οι οδηγίες αυτές πρέπει να παρέχονται στον χρήστη του εξοπλισμού αυτού. Διατηρήστε αυτές τις οδηγίες για μελλοντική αναφορά.

### Προβλεπόμενη χρήση:

Αυτός ο Σύνδεσμος Αγκίστρωσης προορίζεται για χρήση ως μέρος ενός συστήματος ή/και εξοπλισμού πλήρους προστασίας πτώσης.

Η χρήση σε οποιαδήποτε άλλη εφαρμογή που περιλαμβάνει, χωρίς περιορισμούς, χειρισμό υλικών, ψυχαγωγικές ή αθλητικές δραστηριότητες, ή άλλες δραστηριότητες οι οποίες δεν περιγράφονται στις Οδηγίες Χρήστη, δεν είναι εγκεκριμένη από την 3M και μπορεί να προκαλέσει σοβαρό τραυματισμό ή θάνατο.

Αυτό το σύστημα προορίζεται αποκλειστικά για χρήση από εκπαιδευμένους χρήστες σε εφαρμογές στον χώρο εργασίας.



### ΠΡΟΕΙΔΟΠΟΙΗΣΗ

Αυτός ο Σύνδεσμος Αγκίστρωσης είναι μέρος του ατομικού συστήματος προστασίας πτώσης. Αναμένεται όλοι οι χρήστες να είναι πλήρως εκπαιδευμένοι στην ασφαλή εγκατάσταση και λειτουργία του ατομικού συστήματος προστασίας από πτώση. **Η λανθασμένη χρήση αυτού του συστήματος μπορεί να προκαλέσει σοβαρό τραυματισμό ή θάνατο.** Για την κατάλληλη επιλογή, λειτουργία, εγκατάσταση, συντήρηση και σέρβις, ανατρέξτε στις παρούσες Οδηγίες Χρήστη και σε όλες τις συστάσεις του κατασκευαστή, απευθυνθείτε στον προϊστάμενό σας, ή επικοινωνήστε με την Τεχνική Υποστήριξη της 3M.

- **Για τη μείωση των κινδύνων που σχετίζονται με την εργασία με έναν Σύνδεσμο Αγκίστρωσης, οι οποίοι αν δεν αποφευχθούν, μπορεί να οδηγήσουν σε σοβαρό τραυματισμό ή θάνατο:**
  - Επιθεωρείτε τη συσκευή πριν από κάθε χρήση, τουλάχιστον ετησίως και ύστερα από οποιοδήποτε συμβάν πτώσης. Επιθεωρείτε σύμφωνα με τις Οδηγίες Χρήστη.
  - Αν η επιθεώρηση δείξει κάποια μη ασφαλή ή ακατάλληλη κατάσταση, μην χρησιμοποιήσετε τη συσκευή και επισκευάστε την ή αντικαταστήστε την σύμφωνα με τις Οδηγίες Χρήστη.
  - Οποιαδήποτε συσκευή έχει εκτεθεί σε ανακοπή πτώσης ή σε δύναμη πρόσκρουσης πρέπει να τεθεί άμεσα εκτός χρήσης και να καταστραφεί.
  - Η εγκατάσταση της συσκευής πρέπει να γίνει μόνο στα καθορισμένα υποσώματα ή στις δομές που περιγράφονται λεπτομερώς στις Οδηγίες Χρήστη. Τυχόν εγκαταστάσεις και χρήσεις που δεν ακολουθούν τις παρούσες οδηγίες, πρέπει να εγκριθούν από την 3M Fall Protection.
  - Το υπόστρωμα ή η δομή στην οποία είναι προσαρτημένος ο σύνδεσμος αγκύρωσης, πρέπει να μπορεί να αντέξει τα στατικά φορτία που καθορίζονται για την αγκύρωση στους προσανατολισμούς που επιτρέπονται στις Οδηγίες Χρήστη.
  - Συνδέετε άλλα υποσυστήματα προστασίας πτώσης μόνο στο καθορισμένο σημείο αγκίστρωσης συνδέσμου στη συσκευή.
  - Πριν από τη διάτρηση ή πρόσδεση, βεβαιωθείτε ότι κανένα ηλεκτροφόρο καλώδιο, σωλήνας αερίου ή άλλα σημαντικά ενσωματωμένα συστήματα δεν θα έλθουν σε επαφή με το τρυπάνι ή τη συσκευή.
  - Βεβαιωθείτε ότι τα συστήματα/υποσυστήματα προστασίας από πτώσεις τα οποία συναρμολογούνται από εξαρτήματα που έχουν κατασκευαστεί από άλλους κατασκευαστές είναι συμβατά και πληρούν τις απαιτήσεις των ισχυόντων προτύπων, συμπεριλαμβανομένου του ANSI Z359 ή άλλων ισχυόντων κωδικών, προτύπων ή απαιτήσεων προστασίας από πτώσεις. Να συμβουλευέστε πάντα ένα ικανό ή καταρτισμένο άτομο πριν από τη χρήση αυτών των συστημάτων.
- **Για τη μείωση των κινδύνων που σχετίζονται με την εργασία σε ύψος, οι οποίοι αν δεν αποφευχθούν, μπορεί να προκαλέσουν σοβαρό τραυματισμό ή θάνατο:**
  - Βεβαιωθείτε ότι η υγεία σας και η φυσική σας κατάσταση σας επιτρέπουν να αντιμετωπίσετε τις δυνάμεις που συνδέονται με την εργασία σε ύψος. Συμβουλευθείτε τον γιατρό σας αν έχετε ερωτήσεις σχετικά με τη δυνατότητά σας να χρησιμοποιήσετε αυτόν τον εξοπλισμό.
  - Ποτέ μην ξεπερνάτε τα επιτρεπόμενα όρια του εξοπλισμού προστασίας από πτώσεις.
  - Ποτέ μην ξεπερνάτε το ανώτατο όριο απόστασης ελεύθερης πτώσης του εξοπλισμού προστασίας από πτώσεις.
  - Μην χρησιμοποιείτε κανέναν εξοπλισμό προστασίας από πτώσεις ο οποίος είναι ακατάλληλος πριν από την χρήση ή αν δεν έχει περάσει προγραμματισμένους ελέγχους με επιτυχία, ή αν ανησυχείτε για τη χρήση του ή για την καταλληλότητά του. Επικοινωνήστε με την Τεχνική Υποστήριξη της 3M για οποιοδήποτε ερωτήσες.
  - Ορισμένοι συνδυασμοί υποσυστημάτων και εξαρτημάτων μπορεί να επηρεάσουν τη λειτουργία του εξοπλισμού αυτού. Χρησιμοποιείτε μόνο συμβατές συνδέσεις. Συμβουλευτείτε την 3M πριν χρησιμοποιήσετε τον εξοπλισμό σε συνδυασμό με εξαρτήματα ή υποσυστήματα διαφορετικά από αυτά που περιγράφονται στις Οδηγίες Χρήστη.
  - Να είστε εξαιρετικά προσεκτικοί κατά την εργασία κοντά σε κινούμενα μηχανήματα (π.χ. κινητήρες Top Drive σε πετρελαϊκές εξέδρες), ηλεκτρικό ρεύμα, ακραίες θερμοκρασίες, επικίνδυνα χημικά, εκρηκτικά ή τοξικά αέρια, αιχμηρές άκρες ή κάτω από υλικά τα οποία μπορεί να πέσουν πάνω σας ή πάνω στον εξοπλισμό προστασίας από πτώσεις.
  - Κατά την εργασία σε χώρους με υψηλή θερμοκρασία χρησιμοποιήστε συστήματα Arc Flash ή Hot Works.
  - Αποφεύγετε επιφάνειες και αντικείμενα τα οποία μπορεί να προκαλέσουν τραυματισμό στον χρήστη ή ζημιά στον εξοπλισμό.
  - Βεβαιωθείτε ότι υπάρχει επαρκές κενό πτώσης κατά την εργασία σε ύψος.
  - Μην πραγματοποιείτε αλλαγές ή τροποποιήσεις στον εξοπλισμό προστασίας από πτώσεις. Μόνο η 3M ή γραπτός εξουσιοδοτημένος αντιπρόσωπος της 3M μπορούν να κάνουν επισκευές σε αυτό τον εξοπλισμό.
  - Πριν από τη χρήση του εξοπλισμού προστασίας από πτώσεις, βεβαιωθείτε ότι έχει εκπονηθεί ένα σχέδιο διάσωσης το οποίο επιτρέπει την άμεση διάσωση σε περίπτωση πτώσης.
  - Στην περίπτωση πτώσης, αναζητήστε αμέσως ιατρική βοήθεια για τον εργαζόμενο ο οποίος υπέστη την πτώση.
  - Μην χρησιμοποιείτε ζώνη συγκράτησης του κορμού για την αναστολή πτώσεων. Χρησιμοποιείτε μόνο ιμάντες πρόσδεσης σώματος.
  - Περιορίστε τις πτώσεις με ταλάντωση, δουλεύοντας, όσο αυτό είναι δυνατό, ακριβώς κάτω από το σημείο αγκίστρωσης.
  - Αν πραγματοποιείτε εκπαίδευση με αυτήν τη συσκευή, πρέπει να χρησιμοποιείτε ένα δευτερεύον σύστημα προστασίας από πτώσεις έτσι ώστε ο εκπαιδευόμενος να μην εκτίθεται σε ακούσιο κίνδυνο πτώσης.
  - Να φοράτε πάντα κατάλληλο προσωπικό εξοπλισμό προστασίας κατά την εγκατάσταση, χρήση, ή επιθεώρηση της συσκευής/συστήματος.

Πριν από την εγκατάσταση και χρήση του εξοπλισμού αυτού καταγράψτε τα στοιχεία αναγνώρισης του προϊόντος που βρίσκονται στην ετικέτα ID στο «Αρχείο Καταγραφής Επιθεώρησης και Συντήρησης» (Πίνακας 2) στο πίσω μέρος αυτού του εγχειριδίου.

## ΠΕΡΙΓΡΑΦΗ ΠΡΟΙΟΝΤΟΣ:

Η Εικόνα 1 δείχνει το σύστημα αγκύρωσης για πλαίσιο θύρας DBI-SALA™ της 3M™. Το σύστημα αγκύρωσης για πλαίσιο θύρας είναι ένας σύνδεσμος αγκίστρωσης μονού σημείου που εγκαθίσταται σε άνοιγμα πόρτας ή παραθύρου.

Η Εικόνα 2 δείχνει τα εξαρτήματα του συστήματος αγκύρωσης για πλαίσιο θύρας. Δείτε τον Πίνακα 1 για τις προδιαγραφές. Το σύστημα αγκύρωσης για πλαίσιο θύρας αποτελείται από έναν σωλήνα υποστήριξης (Α) με σταθερό σκέλος (Β) και ρυθμιζόμενο σκέλος (Γ) που ολισθαίνει κατά μήκος του σωλήνα υποστήριξης για να ταιριάζει στο άνοιγμα της πόρτας ή του παραθύρου. Το ρυθμιζόμενο σκέλος διαθέτει οπές πείρου και έναν πείρο (Δ) για χοντρική ρύθμιση. Μόλις το ρυθμιζόμενο σκέλος στερεωθεί στη θέση του, σφίγγεται μια ασφάλεια με βίδα οριζοντίωσης (Ε) για να ασφαλίσει το σύστημα αγκύρωσης για πλαίσιο θύρας στο άνοιγμα της πόρτας/του παραθύρου. Ένας κρίκος D (ΣΤ) στον σωλήνα υποστήριξης χρησιμεύει ως σημείο σύνδεσης για σχοινί ή συσκευή αυτόματης αναδίπλωσης (SRD).

## Πίνακας 1 – Προδιαγραφές

Προδιαγραφές συστήματος:	
<b>Δυνατότητα:</b>	<b>ANSI/CE:</b> 1 άτομο με συνδυασμένο βάρος (συμπεριλαμβανομένων των ρούχων, εργαλείων κ.λπ.) όχι άνω των 140 κιλών (310 λίβρες). <b>OSHA:</b> 1 άτομο με συνδυασμένο βάρος (συμπεριλαμβανομένων των ρούχων, εργαλείων κ.λπ.) όχι άνω των 190 κιλών (420 λίβρες).
<b>Δύναμη αγκίστρωσης:</b>	<b>ANSI/OSHA</b> <b>Ανάσχεση πτώσης:</b> Η κατασκευή με την οποία συνδέεται ο σύνδεσμος αγκύρωσης πρέπει να αντέχει στατικά φορτία που εφαρμόζονται στις κατευθύνσεις που επιτρέπονται από το σύστημα ανάσχεσης πτώσης τουλάχιστον: 16 kN (3.600 λίβρες) με πιστοποίηση ειδικευμένου ατόμου <sup>2</sup> ή 22 kN (5.000 λίβρες) χωρίς πιστοποίηση. Όταν περισσότερα από ένα Προσωπικά Συστήματα Ανάσχεσης Πτώσης (PFAS) συνδέονται σε μια αγκύρωση, αυτά τα στατικά φορτία πρέπει να πολλαπλασιάζονται με τον αριθμό των συστημάτων PFAS που συνδέονται στην αγκύρωση. <input checked="" type="checkbox"/> <b>OSHA 1926.500 και OSHA 1910.66:</b> Τα σημεία αγκύρωσης που χρησιμοποιούνται για τη σύνδεση Προσωπικού Συστήματος Ανάσχεσης Πτώσης (PFAS) πρέπει να είναι ανεξάρτητα από κάθε αγκύρωση που χρησιμοποιείται για την αιώρηση ή υποστήριξη πλατφορμών και πρέπει να υποστηρίζουν 22 kN (5.000 λίβρες) ανά συνδεδεμένο χρήστη ή να έχουν σχεδιαστεί, εγκατασταθεί και να χρησιμοποιούνται ως μέρος ενός πλήρους συστήματος PFAS που διατηρεί συντελεστή ασφαλείας τουλάχιστον 2 και επιβλέπεται από ένα ειδικευμένο άτομο <sup>2</sup> . <b>Ανάσχεση:</b> Η δομή με την οποία συνδέεται ο σύνδεσμος αγκύρωσης πρέπει να αντέχει στατικά φορτία που εφαρμόζονται στις κατευθύνσεις που επιτρέπονται από το σύστημα ανάσχεσης τουλάχιστον 13 kN (3.000 λίβρες). Όταν περισσότερα από ένα συστήματα ανάσχεσης συνδέονται σε μια αγκύρωση, το στατικό φορτίο πρέπει να πολλαπλασιάζεται με τον αριθμό των συστημάτων ανάσχεσης που συνδέονται στην αγκύρωση. <b>CE EN795</b> <b>Δομή αγκύρωσης:</b> Η δομή στην οποία τοποθετείται ο σύνδεσμος αγκύρωσης πρέπει να έχει τη δυνατότητα να υποβληθεί σε δυνάμεις στις προσδοκώμενες κατευθύνσεις φόρτωσης. Η θέση κάθε σημείου αγκύρωσης πρέπει να έχει τη δυνατότητα να αντέχει φορτία 12 kN (2.698 λίβρες).
<b>Θερμοκρασία σέρβις:</b>	-40°C (-40° F)
<b>Αντοχή θραύσης συνδέσμου αγκύρωσης</b>	Ελάχιστη αντοχή θραύσης 22 kN (5.000 λίβρες)
<b>Πλάτος πλαισίου θύρας/ παραθύρου:</b>	Βλ. Εικόνα 1: Ελάχιστο πλάτος: 54,6 εκ. (21,5 ίντσες), Μέγιστο πλάτος: 129,5 εκ. (51,0 ίντσες)
<b>Διαστάσεις προϊόντος:</b>	Βλ. Εικόνα 1
<b>Βάρος προϊόντος:</b>	6,3 κιλά (14,0 λίβρες)

## Προδιαγραφές εξαρτημάτων:

Αναφορά σχήματος 2	Εξάρτημα	Υλικά	Σημειώσεις
(A)	Σωλήνας υποστήριξης	Αλουμίνιο	
(B)	Σταθερό σκέλος	Σωλήνας - Αλουμίνιο Βάση - Χάλυβας Βεντούζα - Καουτσούκ	
(C)	Ρυθμιζόμενο σκέλος	Αλουμίνιο	
(D)	Πείρος χοντρικής ρύθμισης	Χάλυβας	
(E)	Ασφάλεια ακριβούς ρύθμισης	Ασφάλεια - Χάλυβας Βίδα - Χάλυβας Βάση - Χάλυβας Βεντούζα - Καουτσούκ	
(F)	Κρίκος D	Κράμα χάλυβα	Αντοχή σε εφελκυσμό - 22,2 kN (5.000 λίβρες)

**1 Ειδικευμένο άτομο:** Ένα άτομο με αναγνωρισμένο πτυχίο ή επαγγελματικό πιστοποιητικό και εκτεταμένη εμπειρία στην προστασία από πτώσεις. Αυτό το άτομο πρέπει να έχει ικανότητες σχεδιασμού, ανάλυσης, αξιολόγησης και προδιαγραφών στην προστασία από πτώσεις.

## 1.0 ΕΦΑΡΜΟΓΗ ΠΡΟΙΟΝΤΟΣ

- 1.1 ΣΚΟΠΟΣ:** Οι σύνδεσμοι αγκίστρωσης είναι σχεδιασμένοι για να προσφέρουν σημεία σύνδεσης αγκίστρωσης για συστήματα ανάσχεσης πτώσης<sup>1</sup> ή συστήματα περιορισμού πτώσης<sup>2</sup>: Περιορισμός, τοποθέτηση εργασίας, ανάβαση προσωπικού, διάσωση, κ.λπ.

**Μόνο προστασία πτώσης:** Αυτός ο σύνδεσμος αγκίστρωσης είναι για σύνδεση του εξοπλισμού προστασίας από πτώση. Μην συνδέετε εξοπλισμό ανύψωσης με αυτόν τον σύνδεσμο αγκίστρωσης.

- 1.2 ΠΡΟΤΥΠΑ:** Ο σύνδεσμος αγκίστρωσής σας συμμορφώνεται με τα εθνικά και τοπικά πρότυπα που καταγράφονται στο εμπρόσθιο φύλλο αυτών των οδηγιών. Εάν το προϊόν μεταπωληθεί εκτός της αρχικής χώρας προορισμού, ο μεταπωλητής πρέπει να παρέχει οδηγίες για τη χρήση, τη συντήρηση, την περιοδική εξέταση και για την επισκευή στη γλώσσα της χώρας στην οποία πρόκειται να χρησιμοποιηθεί το προϊόν.
- 1.3 ΕΠΙΒΛΕΨΗ:** Η εγκατάσταση αυτού του εξοπλισμού θα πρέπει να επιβλέπεται από ένα ειδικευμένο άτομο<sup>3</sup>. Η χρήση αυτού του εξοπλισμού θα πρέπει να επιβλέπεται από ένα Πιστοποιημένο Πρόσωπο<sup>4</sup>.
- 1.4 ΕΚΠΑΙΔΕΥΣΗ:** Αυτός ο εξοπλισμός προορίζεται για χρήση από άτομα που είναι εκπαιδευμένα στη σωστή εφαρμογή του. Το παρόν εγχειρίδιο πρέπει να χρησιμοποιείται ως μέρος ενός προγράμματος κατάρτισης των εργαζομένων, όπως απαιτείται από το πρότυπο CE. Αποτελεί ευθύνη των χρηστών και τεχνικών εγκατάστασης αυτού του εξοπλισμού να διασφαλίσουν ότι είναι εξοικειωμένοι με αυτές τις οδηγίες, έχουν εκπαιδευτεί στη σωστή φροντίδα και χρήση αυτού του εξοπλισμού και γνωρίζουν τα χαρακτηριστικά λειτουργίας, τους περιορισμούς εφαρμογής και τις συνέπειες της ακατάλληλης χρήσης αυτού του εξοπλισμού.
- 1.5 ΣΧΕΔΙΟ ΔΙΑΣΩΣΗΣ:** Κατά τη χρήση αυτού του εξοπλισμού και τη σύνδεση των υποσυστημάτων, ο εργοδότης πρέπει να διαθέτει ένα σχέδιο διάσωσης και τα μέσα για να το εφαρμόσει, όπως και να το κοινοποιήσει στους χρήστες, σε εξουσιοδοτημένα άτομα<sup>5</sup> και σε διασώστες<sup>6</sup>. Συνιστάται μια εκπαιδευμένη επιτόπια ομάδα διάσωσης. Τα μέλη της ομάδας θα πρέπει να είναι εφοδιασμένα με τον εξοπλισμό και τις τεχνικές για να εκτελέσουν μια επιτυχή διάσωση. Η εκπαίδευση πρέπει να παρέχεται σε περιοδική βάση ώστε να εξασφαλιστεί η επάρκεια γνώσεων των υπευθύνων της διάσωσης.
- 1.6 ΣΥΧΝΟΤΗΤΑ ΕΠΙΘΕΩΡΗΣΗΣ:** Ο σύνδεσμος αγκίστρωσης θα πρέπει να ελέγχεται από το χρήστη πριν από κάθε χρήση και επιπλέον από ένα αρμόδιο άτομο εκτός από το χρήστη για διάστημα λιγότερο του ενός έτους.<sup>7</sup> Οι διαδικασίες επιθεώρησης περιγράφονται στην ενότητα «Ημερολόγιο Επιθεώρησης και Συντήρησης». Τα αποτελέσματα της επιθεώρησης κάθε Πιστοποιημένου Προσώπου θα πρέπει να καταγράφονται σε αντίγραφα του «Ημερολογίου Επιθεώρησης και Συντήρησης».
- 1.7 ΜΕΤΑ ΑΠΟ ΜΙΑ ΠΤΩΣΗ:** Αν ο σύνδεσμος αγκίστρωσης υποβληθεί στις δυνάμεις ανάσχεσης μιας πτώσης, πρέπει να αφαιρεθεί αμέσως από το σύστημα και να καταστραφεί.

## 2.0 ΑΠΑΙΤΗΣΕΙΣ ΣΥΣΤΗΜΑΤΟΣ

- 2.1 ΣΗΜΕΙΟ ΑΓΚΙΣΤΡΩΣΗΣ:** Οι απαιτήσεις αγκίστρωσης ποικίλλουν ανάλογα με το σύστημα προστασίας από πτώση. Η δομή στην οποία τοποθετείται ή προσαρτάται ο σύνδεσμος αγκίστρωσης πρέπει να πληροί τις προδιαγραφές που καθορίζονται στον Πίνακα 1.
- 2.2 ΠΡΟΣΩΠΙΚΟ ΣΥΣΤΗΜΑ ΑΝΑΣΧΕΣΗΣ ΠΤΩΣΗΣ:** Το σχήμα 1 δείχνει την εφαρμογή αυτού του συνδέσμου αγκίστρωσης. Τα Προσωπικά Σύστημα Ανάσχεσης Πτώσης (PFAS) που χρησιμοποιούνται με το σύστημα, πρέπει να πληρούν τα ισχύοντα πρότυπα, κώδικες και απαιτήσεις προστασίας από πτώση. Ανατρέξτε στις οδηγίες που περιλαμβάνονται με το σχοινί σας ή τη συσκευή αυτόματης αναδιπλώσης για περιορισμούς ελεύθερης πτώσης. Τα συστήματα PFAS πρέπει να διαθέτουν Ολόσωμη Πρόσδεση και να περιορίζουν τη μέγιστη δύναμη ανάσχεσης (MAF) στις εξής τιμές:

	ANSI/OSHA	CE
Σύστημα PFAS με σχοινί απορρόφησης κραδασμών	408 κιλά (900 lb - 4 kN)	6 kN (1.350 λίβρες)
PFAS με συσκευή αυτόματης αναδιπλώσης	408 κιλά (900 lb - 4 kN)	6 kN (1.350 λίβρες)

- 2.3 ΔΙΑΔΡΟΜΗ ΠΤΩΣΗΣ ΚΑΙ ΤΑΧΥΤΗΤΑ ΑΣΦΑΛΙΣΗΣ ΑΥΤΟ-ΑΝΑΚΛΗΣΗΣ (SRD):** Απαιτείται ανεμπόδιστη διαδρομή για να εξασφαλιστεί θετική ασφάλιση ενός SRD. Θα πρέπει να αποφεύγονται οι εργασίες που δεν περιλαμβάνουν ανοιχτό χώρο για ελεύθερη πτώση. Η εργασία σε περιορισμένους ή στενούς χώρους δεν θα επιτρέψει στο σώμα να αναπτύξει την απαραίτητη ταχύτητα, ώστε να ασφαλίσει το σύστημα SRD. Η εργασία σε υλικά που μετατοπίζονται αργά, όπως η άμμος ή κοκκώδη υλικά/χαλίκια, δεν θα επιτρέψει την ανάπτυξη αρκετής ταχύτητας για να ασφαλίσει το σύστημα SRD.
- 2.4 ΚΙΝΔΥΝΟΙ:** Η χρήση αυτού του εξοπλισμού σε περιοχές με περιβαλλοντικούς κινδύνους μπορεί να απαιτεί πρόσθετες προφυλάξεις για την αποτροπή τραυματισμού του χρήστη ή ζημιάς στον εξοπλισμό. Οι κίνδυνοι μπορεί να περιλαμβάνουν, χωρίς περιορισμό: υψηλή θερμότητα, καυστικά χημικά, διαβρωτικά περιβάλλοντα, ηλεκτροφόρα καλώδια υψηλής τάσης, εκρηκτικά ή τοξικά αέρια, κινητά μηχανήματα, αιχμηρές προεξοχές ή υψωμένα αντικείμενα που μπορεί να πέσουν και να χτυπήσουν το χρήστη ή το Προσωπικό Σύστημα Ανάσχεσης Πτώσης.
- 2.5 ΑΠΑΙΤΟΥΜΕΝΗ ΑΠΟΣΤΑΣΗ ΑΝΑΣΧΕΣΗΣ ΠΤΩΣΗΣ:** Το σχήμα 3 απεικονίζει εξαρτήματα ενός συστήματος ανάσχεσης πτώσης. Πρέπει να υπάρχει επαρκής απόσταση πτώσης (FC) για την ανάσχεση μιας πτώσης πριν ο χρήστης έρθει σε επαφή με το έδαφος ή άλλο εμπόδιο. Η επαρκής απόσταση επηρεάζεται από έναν αριθμό παραγόντων όπως οι εξής: Τη θέση αγκύρωσης, (Α) το μήκος σχοινιού, (Β) την απόσταση επιβράδυνσης σχοινιού ή τη μέγιστη απόσταση ανάσχεσης SRD, (Γ) την έκταση εξάρτησης και το μήκος και την εγκατάσταση κρίκου D/συνδέσμου (τυπικά με συντελεστή ασφαλείας 1 μέτρου). Ανατρέξτε στις οδηγίες που περιλαμβάνονται με το υποσύστημα ανάσχεσης πτώσης σχετικά με τον υπολογισμό επαρκούς απόστασης πτώσης.
- 2.6 ΠΤΩΣΕΙΣ ΜΕ ΤΑΛΑΝΤΩΣΗ:** Πτώσεις με ταλάντωση συμβαίνουν όταν το σημείο αγκίστρωσης δεν βρίσκεται ακριβώς πάνω από το σημείο της πτώσης (δείτε το σχήμα 4). Η δύναμη που αναπτύσσεται μετά από πρόσκρουση σε αντικείμενο κατά τη διάρκεια πτώσης με ταλάντωση ενδέχεται να προκαλέσει σοβαρό τραυματισμό ή θάνατο. Περιορίστε τις πτώσεις με ταλάντωση, δουλεύοντας, όσο αυτό είναι δυνατό, ακριβώς κάτω από το σημείο αγκίστρωσης. Μην επιτρέπετε πτώση με ταλάντωση εάν υπάρχει πιθανότητα τραυματισμού. Οι πτώσεις με ταλάντωση θα αυξήσουν σημαντικά τον ελεύθερο χώρο που απαιτείται κατά τη χρήση συσκευής αυτο-ανάκλησης ή άλλου συνδεδεμένου υποσυστήματος μεταβλητού μήκους.

**1 Σύστημα ανάσχεσης πτώσης:** Μια συλλογή εξοπλισμού προστασίας από πτώση που είναι διαμορφωμένη να διακόπτει μια ελεύθερη πτώση.

**2 Σύστημα περιορισμού πτώσης:** Μια συλλογή εξοπλισμού προστασίας από πτώση που είναι διαμορφωμένη να εμποδίσει το κέντρο βάρους του ατόμου να αντιμετωπίσει κίνδυνο πτώσης.

**3 Πιστοποιημένο άτομο:** Ένα άτομο με αναγνωρισμένο πτυχίο ή επαγγελματικό πιστοποιητικό και εκτεταμένη εμπειρία στην προστασία από πτώσεις. Αυτό το άτομο πρέπει να έχει ικανότητες σχεδιασμού, ανάλυσης, αξιολόγησης και προδιαγραφών στην προστασία από πτώσεις.

**4 Αρμόδιο άτομο:** Το άτομο που είναι σε θέση να αναγνωρίσει υπάρχοντες και προβλέψιμους κινδύνους στο περιβάλλον ή σε συνθήκες εργασίας που είναι ανθυγιεινές, επισφαλείς ή επικίνδυνες για τους εργαζομένους, και ο οποίος έχει άδεια να λάβει άμεσα διορθωτικά μέτρα για την εξάλειψή τους.

**5 Εξουσιοδοτημένο άτομο:** Για τους σκοπούς των προτύπων Z359, ένα πρόσωπο που έχει οριστεί από τον εργοδότη να εκτελεί καθήκοντα σε μια θέση όπου το πρόσωπο θα εκτεθεί σε κίνδυνο πτώσης.

**6 Διάσωσης:** Άτομο ή άτομα διαφορετικά από το υποκείμενο της διάσωσης που πραγματοποιούν μια υποβοηθούμενη διάσωση με τη λειτουργία ενός συστήματος διάσωσης.

**7 Συχνότητα επιθεώρησης:** Ακράεις συνθήκες εργασίας (σκληρό περιβάλλον, παρατεταμένη χρήση, κ.λπ.) ενδέχεται να επιβάλλουν συχνότερες επιθεωρήσεις από τα αρμόδια πρόσωπα.

**2.7 ΣΥΜΒΑΤΟΤΗΤΑ ΕΞΑΡΤΗΜΑΤΩΝ:** Ο εξοπλισμός της 3M είναι σχεδιασμένος για χρήση μόνο με τα εγκεκριμένα εξαρτήματα και υποσυστήματα της 3M. Η αλλαγή και η αντικατάσταση με μη εγκεκριμένα εξαρτήματα ή υποσυστήματα μπορεί να θέσει σε κίνδυνο τη συμβατότητα του εξοπλισμού και να επηρεάσει την ασφάλεια και την αξιοπιστία ολόκληρου του συστήματος.

**2.8 ΣΥΜΒΑΤΟΤΗΤΑ ΣΥΝΔΕΣΜΩΝ:** Οι σύνδεσμοι θεωρούνται ότι είναι συμβατοί με τα συνδετικά στοιχεία όταν έχουν σχεδιαστεί για να δουλεύουν μαζί με τέτοιο τρόπο, ώστε το μέγεθος και το σχήμα τους να μην ανοίγουν τον μηχανισμό πύλης τους ανεξάρτητα από τον προσανατολισμό τους. Επικοινωνήστε με την 3M, εάν έχετε ερωτήσεις σχετικά με τη συμβατότητα.

Οι σύνδεσμοι (γάντζοι, καραμπίνερ και δακτύλιοι σε σχήμα D) πρέπει να μπορούν να υποστηρίξουν τουλάχιστον 2.268 κιλά (5.000 λίβρες). (22,2 kN). Οι σύνδεσμοι πρέπει να είναι συμβατοί με την αγκίστρωση ή με άλλα εξαρτήματα του συστήματος. Μην χρησιμοποιείτε ασύμβατο εξοπλισμό. Οι μη συμβατοί σύνδεσμοι μπορεί να απεμπλακούν ακούσια (δείτε το σχήμα 5). Οι σύνδεσμοι πρέπει να είναι συμβατοί σε μέγεθος, σχήμα και αντοχή. Αν το συνδετικό στοιχείο, στο οποίο προσαρτάται ο γάντζος ασφαλείας (όπως απεικονίζεται) ή το καραμπίνερ, είναι μικρότερου μεγέθους ή έχει ακανόνιστο σχήμα, θα μπορούσε να προκύψει μια κατάσταση όπου το συνδετικό στοιχείο εφαρμόζει μια δύναμη στην πύλη του γάντζου ασφαλείας ή του καραμπίνερ (Α). Αυτή η δύναμη μπορεί να προκαλέσει το άνοιγμα της πύλης (Β), επιτρέποντας στον γάντζο ασφαλείας ή στο καραμπίνερ να απεμπλακούν από το συνδετικό στοιχείο (Γ).

Απαιτούνται αυτο-ασφαλιζόμενοι γάντζοι ασφαλείας και καραμπίνερ σύμφωνα με τα πρότυπα ANSI Z359 και OSHA.

**2.9 ΔΗΜΙΟΥΡΓΙΑ ΣΥΝΔΕΣΕΩΝ:** Οι γάντζοι ασφαλείας και τα καραμπίνερ που χρησιμοποιούνται με τον εξοπλισμό αυτό πρέπει να κλειδώνουν αυτόματα. Βεβαιωθείτε ότι όλοι οι σύνδεσμοι είναι συμβατοί σε μέγεθος, σχήμα και αντοχή. Μην χρησιμοποιείτε ασύμβατο εξοπλισμό. Εξασφαλίστε ότι όλοι οι σύνδεσμοι είναι πλήρως κλειστοί και κλειδωμένοι.

Οι σύνδεσμοι της 3M (γάντζοι ασφαλείας και καραμπίνερ) έχουν σχεδιαστεί για να χρησιμοποιούνται αποκλειστικά σύμφωνα με τις προδιαγραφές των οδηγιών χρήσης του κάθε προϊόντος. Δείτε το σχήμα 6 για παραδείγματα ακατάλληλων συνδέσεων. Μην συνδέετε γάντζους ασφαλείας και καραμπίνερ:

- A. Με κρίκο D στον οποίο είναι συνδεδεμένος ένας άλλος σύνδεσμος.
- B. Με τρόπο που θα μπορούσε να έχει ως αποτέλεσμα φορτίο στην πύλη. Γάντζοι ασφαλείας με μεγάλο λαιμό δεν πρέπει να συνδέονται με δακτυλίου σχήματος D κανονικού μεγέθους ή με παρόμοια αντικείμενα, επειδή αυτό προκαλεί φορτίο στην πύλη εάν ο γάντζος ή ο δακτύλιος σχήματος D στρίψει ή περιστραφεί, εκτός εάν ο γάντζος ασφαλείας είναι εξοπλισμένος με πύλη 1.633 κιλών (3.600 λιβρών - 16 kN). Ελέγξτε το σημάδι του γάντζου ασφαλείας για να βεβαιωθείτε ότι είναι κατάλληλο για χρήση.
- C. Σε περίπτωση λανθασμένης εμπλοκής, όπου τα χαρακτηριστικά που προεξέχουν από τον γάντζο ασφαλείας ή το καραμπίνερ πιαστούν στο άγκιστρο και χωρίς οπτική επιβεβαίωση, φαίνεται να εμπλέκονται πλήρως στο άκρο του άγκιστρου.
- D. Μεταξύ τους.
- E. Άμεσα με ιμάντα ή σχοινί ή σύστημα ανάληψης οριζόντιων φορτίων (εκτός και αν οι οδηγίες του κατασκευαστή τόσο για το σχοινί όσο και για τον σύνδεσμο ειδικά επιτρέπουν μια τέτοια σύνδεση).
- F. Με οποιοδήποτε αντικείμενο που έχει τέτοιο σχήμα ή τέτοιες διαστάσεις για να μην κλείνει και κλειδώνει ο γάντζος ασφαλείας και το καραμπίνερ ή για να μην υπάρξει κύλιση.
- G. Με τρόπο που να μην επιτρέπει τη σωστή ευθυγράμμιση του συνδέσμου όταν βρίσκεται υπό φορτίο.



### 3.0 ΕΓΚΑΤΑΣΤΑΣΗ

Για ένα πιστοποιημένο σημείο αγκύρωσης, η δομή στην οποία συνδέεται ο σύνδεσμος αγκύρωσης πρέπει να σχεδιάζεται ή να αξιολογείται από ειδικευμένο άτομο<sup>1</sup>. Ένα μη πιστοποιημένο σημείο αγκύρωσης μπορεί να εγκριθεί από αρμόδιο άτομο<sup>2</sup> (βλ. Πίνακα 1).

**3.1 ΣΧΕΔΙΑΣΜΟΣ:** Σχεδιάστε το σύστημα προστασίας από τις πτώσεις πριν την εγκατάσταση του συστήματος αγκύρωσης για πλαίσιο θύρας. Υπολογίστε όλους τους παράγοντες που μπορεί να επηρεάσουν την ασφάλεια του χρήστη πριν, κατά τη διάρκεια και μετά από μια πτώση. Λάβετε υπόψη όλες τις απαιτήσεις, τους περιορισμούς και τις προδιαγραφές που καθορίζονται στην Ενότητα 2 και τον Πίνακα 1.

**3.2 ΕΓΚΑΤΑΣΤΑΣΗ ΤΟΥ ΣΥΣΤΗΜΑΤΟΣ ΑΓΚΥΡΩΣΗΣ ΓΙΑ ΠΛΑΙΣΙΟ ΘΥΡΑΣ:** Το σύστημα αγκύρωσης για πλαίσιο θύρας μπορεί να εγκατασταθεί σε οποιοδήποτε πλαίσιο πόρτας ή παραθύρου με το επιτρεπόμενο ελάχιστο πλάτος και μέγιστο πλάτη που ικανοποιούν τις προδιαγραφόμενες απαιτήσεις Αγκύρωσης (βλ. Πίνακα 1). Η Εικόνα 7 δείχνει την εγκατάσταση του συστήματος αγκύρωσης για πλαίσιο θύρας. Για να εγκαταστήσετε το σύστημα αγκύρωσης για πλαίσιο θύρας:

1. Ρυθμίστε το σύστημα αγκύρωσης για πλαίσιο θύρας έτσι ώστε να ταιριάζει μέσα στο επιθυμητό άνοιγμα, αφαιρώντας τον πείρο χοντρικής ρύθμισης και σύροντας το ρυθμιζόμενο σκέλος προς τον κρίκο D. Περιστρέψτε την ασφάλεια ακριβούς ρύθμισης αριστερόστροφα μέχρι η βάση να σφίξει πάνω στον σωλήνα υποστήριξης.
2. Τοποθετήστε το σύστημα αγκύρωσης για πλαίσιο θύρας στο άνοιγμα της πόρτας ή του παραθύρου με τον κρίκο D να κοιτάζει προς την περιοχή όπου θα γίνει η εργασία. Το ρυθμιζόμενο σκέλος μπορεί να βρίσκεται είτε στην αριστερή είτε στη δεξιά πλευρά του ανοίγματος. Το σύστημα αγκύρωσης για πλαίσιο θύρας πρέπει να στηρίζεται στο κάτω μέρος του ανοίγματος του παραθύρου ή της πόρτας. Μην επιχειρήσετε να εγκαταστήσετε το σύστημα αγκύρωσης για πλαίσιο θύρας σε θέση όπου δεν υποστηρίζεται από το δάπεδο ή το πρεβάζι του παραθύρου.
3. Σύρετε το ρυθμιζόμενο σκέλος όσο το δυνατόν πιο κοντά στο πλαίσιο της πόρτας ή του παραθύρου και εισάγετε τον πείρο χοντρικής ρύθμισης στο πλησιέστερο σύνολο των οπών ρύθμισης. Στερεώστε το σύστημα αγκύρωσης σφίχτά στην πόρτα ή το παράθυρο, σφίγγοντας την ασφάλεια ακριβούς ρύθμισης. Το σύστημα αγκύρωσης για πλαίσιο θύρας πρέπει να είναι σταθερό και ασφαλέως μετά την εγκατάσταση.

### 4.0 ΧΡΗΣΗ

**4.1 ΠΡΙΝ ΑΠΟ ΚΑΘΕ ΧΡΗΣΗ:** Βεβαιωθείτε ότι ο χώρος εργασίας σας και το Προσωπικό Σύστημα Ανάσχεσης Πτώσης (PFAS) πληρούν όλα τα κριτήρια που ορίζονται στην Ενότητα 2 και υπάρχει ένα επίσημο σχέδιο διάσωσης. Επιθεωρήστε το σύστημα αγκύρωσης για πλαίσιο θύρας σύμφωνα με τα σημεία επιθεώρησης «Χρήση» που καθορίζονται στο «*Αρχείο Καταγραφής Επιθεώρησης και Συντήρησης*» (Πίνακας 2). Μην χρησιμοποιείτε το σύστημα, εάν η επιθεώρηση αποκάλυψε επισφαλές συνθήκες ή ελαττώματα. Αφαιρέστε το σύστημα από την υπηρεσία και καταστρέψτε το ή επικοινωνήστε με την 3M σχετικά με την αντικατάσταση ή επισκευή του.

**4.2 ΣΥΝΔΕΣΕΙΣ ΑΝΑΣΧΕΣΗΣ ΠΤΩΣΗΣ:** Το σύστημα αγκύρωσης για πλαίσιο θύρας χρησιμοποιείται με ολόσωμη πρόσδεση και σχοινί απορρόφησης ενέργειας ή συσκευή αυτόματης αναδίπλωσης (SRD). Η Εικόνα 8 δείχνει τη σύνδεση του σχοινιού (A) ή της συσκευής SRD (B) μεταξύ της εξάρτησης και του συστήματος αγκύρωσης για πλαίσιο θύρας. Συνδέστε το σχοινί ή τη συσκευή SRD ανάμεσα στον κρίκο D στο σύστημα αγκύρωσης για πλαίσιο θύρας και τον πίσω ραχιαίο κρίκο D στην εξάρτηση, σύμφωνα με τις οδηγίες που περιλαμβάνονται με το σχοινί ή τη συσκευή SRD.

**Ασφαλής περιοχή εργασίας:** Η Εικόνα 8 δείχνει την ασφαλή περιοχή εργασίας για το σύστημα αγκύρωσης για πλαίσιο θύρας. Ποτέ μην εργάζεστε σε οριζόντια γωνία μεγαλύτερη από 30° από κάθετη προς την πρόσωση του συστήματος αγκύρωσης για πλαίσιο θύρας ώστε να αποφύγετε το ακατάλληλο φορτίο στο σημείο σύνδεσης της αγκύρωσης (βλ. Εικόνα 2). Ποτέ μην εργάζεστε σε θέση πάνω ή κάτω από τα σημεία σύνδεσης της αγκύρωσης που υπερβαίνει τις απαιτήσεις κατακόρυφου φορτίου, οι οποίες απεικονίζονται στην Εικόνα 2.

### 5.0 ΕΠΙΘΕΩΡΗΣΗ

**5.1 ΣΥΧΝΟΤΗΤΑ ΕΠΙΘΕΩΡΗΣΗΣ:** Το σύστημα αγκύρωσης για πλαίσιο θύρας πρέπει να επιθεωρείται στα διαστήματα που ορίζονται στην Ενότητα 1. Οι διαδικασίες επιθεώρησης περιγράφονται στην ενότητα «*Αρχείο Καταγραφής Επιθεώρησης και Συντήρησης*» (Πίνακας 2). Επιθεωρήστε όλα τα άλλα συστατικά στοιχεία του συστήματος ανάσχεσης πτώσης σύμφωνα με τις συχνότητες και τις διαδικασίες που ορίζονται στις οδηγίες του κατασκευαστή.

**Ετικέτα RFID:** Τα συστήματα αγκύρωσης για πλαίσιο θύρας είναι εξοπλισμένα με ετικέτα ραδιοσυχνικής αναγνώρισης (Radio Frequency Identification - RFID). Η ετικέτα RFID μπορεί να χρησιμοποιηθεί σε συνδυασμό με μια φορητή συσκευή ανάγνωσης για την απλοποίηση της επιθεώρησης και της απογραφής και την παροχή καταλόγων για τον εξοπλισμό συγκράτησης πτώσης.

**5.2 ΕΛΑΤΤΩΜΑΤΑ:** Εάν κατά την επιθεώρηση διαπιστωθεί μια επισφαλής ή ελαττωματική κατάσταση, σταματήστε αμέσως να χρησιμοποιείτε το σύστημα αγκύρωσης για πλαίσιο θύρας και επικοινωνήστε με την 3M για αντικατάσταση ή επισκευή. Μην προσπαθήσετε να επιδιορθώσετε το σύστημα ανάσχεσης πτώσης.

**Μόνο εξουσιοδοτημένες επιδιορθώσεις:** Μόνο η 3M ή γραπτός εξουσιοδοτημένοι αντιπρόσωποι της μπορούν να κάνουν επισκευές σε αυτόν τον εξοπλισμό.

**5.3 ΔΙΑΡΚΕΙΑ ΖΩΗΣ ΤΟΥ ΠΡΟΪΟΝΤΟΣ:** Η διάρκεια ζωής του συστήματος ανάσχεσης πτώσης εξαρτάται από τις εργασιακές συνθήκες και τη συντήρηση. Εφόσον το προϊόν πληροί τα κριτήρια επιθεώρησης, μπορεί να παραμείνει σε λειτουργία.

### 6.0 ΣΥΝΤΗΡΗΣΗ, ΕΠΙΣΚΕΥΗ, ΑΠΟΘΗΚΕΥΣΗ

**6.1 ΚΑΘΑΡΙΣΜΟΣ:** Καθαρίζετε περιοδικά τα μεταλλικά εξαρτήματα του συστήματος αγκύρωσης για πλαίσιο θύρας με μαλακή βούρτσα, χλιαρό νερό και ένα ήπιο διάλυμα σαπουνιού. Βεβαιωθείτε ότι τα εξαρτήματα έχουν ξεπλυθεί καλά με άφθονο καθαρό νερό.

**1 Ειδικευμένο άτομο:** Ένα άτομο με αναγνωρισμένο πτυχίο ή επαγγελματικό πιστοποιητικό και εκτεταμένη εμπειρία στην προστασία από πτώσεις. Αυτό το άτομο πρέπει να έχει ικανότητες σχεδιασμού, ανάλυσης, αξιολόγησης και προδιαγραφών στην προστασία από πτώσεις.


**2 Αρμόδιο άτομο:** Το άτομο που είναι σε θέση να αναγνωρίσει υπάρχοντες και προβλεψίμους κινδύνους στο περιβάλλον ή σε συνθήκες εργασίας που είναι ανθυγιεινές, επισφαλείς ή επικίνδυνες για τους εργαζομένους, και ο οποίος έχει άδεια να λάβει άμεσα διορθωτικά μέτρα για την εξάλειψή τους.

**6.2 ΕΠΙΣΚΕΥΗ:** Μόνο η 3M ή γραπτώς εξουσιοδοτημένοι αντιπρόσωποι της 3M μπορούν να κάνουν επισκευές σε αυτόν τον εξοπλισμό. Εάν το σύστημα αγκύρωσης για πλαίσιο θύρας έχει υποστεί δύναμη πτώσης ή η επιθεώρηση δείξει επισφαλή ή ελαττωματική κατάσταση, σταματήστε να χρησιμοποιείτε το σύστημα και επικοινωνήστε με την 3M για την αντικατάσταση ή επισκευή του.

**6.3 ΑΠΟΘΗΚΕΥΣΗ ΚΑΙ ΜΕΤΑΦΟΡΑ:** Όταν δεν το χρησιμοποιείτε, αποθηκεύετε και μεταφέρετε το σύστημα αγκύρωσης για πλαίσιο θύρας και το σχετιζόμενο εξοπλισμό προστασίας από πτώσεις σε δροσερό, στεγνό και καθαρό περιβάλλον μακριά από το άμεσο ηλιακό φως. Να αποφεύγετε περιοχές όπου ενδέχεται να υπάρχουν ατμοί από χημικές ουσίες. Επιθεωρείτε σχολαστικά τα εξαρτήματα μετά από παρατεταμένη αποθήκευση.

## 7.0 ΕΤΙΚΕΤΕΣ

Η Εικόνα 9 δείχνει τις ετικέτες στο σύστημα αγκύρωσης για πλαίσιο θύρας. Οι ετικέτες πρέπει να αντικαθίστανται αν δεν είναι πλήρως αναγνώσιμες. Οι πληροφορίες που παρέχονται σε κάθε ετικέτα είναι οι εξής:

	Διαβάστε όλες τις οδηγίες.
①	<b>ΠΡΟΔΙΑΓΡΑΦΕΣ:</b> Δυνατότητα: 1 άτομο, ANSI 140 κιλά (310 λίβρες) μέγ., OSHA 190 κιλά (420 λίβρες) μέγ. Μέγιστη δύναμη ανάρσεως 1.800 λίβρες Υλικά: Σύστημα αγκύρωσης από αλουμίνιο, κρίκος D από επιψευδαργυρωμένο κράμα χάλυβα Πρότυπα: Πληροί τα ANSI Z359.18 Τύπος A και OSHA 1926.502 & 1910.140 Ελάχιστη αντοχή θραύσης: 22kN (5.000 λίβρες) MBS ANSI Ελάχιστη θερμοκρασία σέρβις -40C (-40F)
②	<b>ΧΡΗΣΗ:</b> Ανατρέξτε στο Εγχειρίδιο Χρήστη για λεπτομέρειες σχετικά με τη δημιουργία των συνδέσεων. Μην αφήνετε τον ιμάντα να τριβεται πάνω σε αιχμηρά άκρα κατά τη χρήση. Να είστε προσεκτικοί όταν χρησιμοποιείτε αυτόν τον εξοπλισμό κοντά σε επικίνδυνες θερμικές, ηλεκτρικές ή χημικές πηγές. Ανατρέξτε στο Εγχειρίδιο Χρήστη για περισσότερες πληροφορίες.
③	<b>ΕΠΙΘΕΩΡΗΣΗ:</b> Επιθεωρείτε το σύστημα αγκύρωσης πριν από κάθε χρήση. Τουλάχιστον μηνιαίως, το σύστημα αγκύρωσης πρέπει να επιθεωρείται από αρμόδιο άτομο σύμφωνα με το Εγχειρίδιο Χρήστη. Μην το χρησιμοποιείτε εάν κατά την επιθεώρηση διαπιστωθεί μια επισφαλής ή ελαττωματική κατάσταση. Δεν μπορεί να επισκευαστεί από τον χρήστη. Στο προϊόν αυτό έχει ενεργοποιηθεί η ραδιοσυχνική αναγνώριση (RFID) και περιέχει μια ηλεκτρονική ετικέτα που μπορεί να διαβαστεί από συμβατούς αναγνώστες - παρέχοντας πληροφορίες για την επιθεώρηση και άλλες πληροφορίες ασφαλείας.
④	<b>ΟΔΗΓΙΕΣ ΕΠΙΤΡΕΠΟΜΕΝΗΣ ΦΟΡΤΩΣΗΣ:</b> Ποτέ μην εργάζεστε σε οριζόντια γωνία μεγαλύτερη από 30° από κάθετη προς την πρόσοψη του συστήματος αγκύρωσης για πλαίσιο θύρας ώστε να αποφύγετε το ακατάλληλο φορτίο στο σημείο σύνδεσης της αγκύρωσης. Ποτέ μην εργάζεστε σε θέση πάνω ή κάτω από τα σημεία σύνδεσης της αγκύρωσης που υπερβαίνει τις απαιτήσεις κατακόρυφου φορτίου.
⑤	Το συγκεκριμένο σύστημα αγκύρωσης για πλαίσιο θύρας/παραθύρου πρέπει να εγκαθίσταται στο κάτω μέρος του ανοίγματος του παραθύρου ή της πόρτας, με στήριξη πάνω στο κατώφλι ή το περβάζι. Εάν το σύστημα αγκύρωσης δεν στηρίζεται στο κατώφλι ή στο περβάζι, μπορεί να περιστραφεί. Σε τέτοια περίπτωση, όταν βρίσκεται υπό φορτίο, το σύστημα αγκύρωσης μπορεί να αποσυνδεθεί από το άνοιγμα του παραθύρου ή της πόρτας. Η μη τήρηση αυτής της οδηγίας μπορεί να προκαλέσει σοβαρό τραυματισμό ή θάνατο.
⑥	Αναγνωριστικό προτύπου CE και γνωστοποιηθέντων οργανισμών
⑦	Έτος/Μήνας κατασκευής και Αριθμός παρτίδας
⑧	Οι οδηγίες του κατασκευαστή πρέπει να διαβάζονται και να γίνονται κατανοητές πριν από τη χρήση. Οι οδηγίες που παρέχονται με αυτό το προϊόν κατά την αποστολή πρέπει να τηρούνται για σωστή χρήση, συντήρηση και επιθεώρηση. Η μετατροπή ή κακή χρήση αυτού του προϊόντος ή μη τήρηση των οδηγιών μπορούν να προκαλέσουν σοβαρό τραυματισμό ή θάνατο. Δημιουργείτε μόνο συμβατές συνδέσεις. Δείτε το Εγχειρίδιο Χρήστη.
⑨	Αριθμός μοντέλου προϊόντος
⑩	Τοποθεσία κατασκευαστή
⑪	Ένα άτομο το μέγιστο
⑫	Εύρος θερμοκρασίας χρήσης: -40°C έως 60°C
⑬	Αρχείο καταγραφής επιθεώρησης: Ημερομηνία, Μονογραφή

## Πίνακας 2 – Αρχείο καταγραφής επιθεώρησης και συντήρησης

Ημερομηνία επιθεώρησης:		Επιθεωρήθηκε από:	
Εξαρτήματα:	Επιθεώρηση: (Δείτε την Ενότητα 1 για τη Συχνότητα Επιθεώρησης)	Χρήστης	Αρμόδιο πρόσωπο <sup>1</sup>
Σύστημα αγκύρωσης για πλαίσιο θύρας (Εικόνα 2)	Επιθεωρήστε για ζημιές το σύστημα αγκύρωσης για πλαίσιο θύρας: Αναζητήστε ρωγμές, βαθουλώματα ή παραμορφώσεις. Αναζητήστε σημάδια κάμψης ή φθοράς στον σωλήνα υποστήριξης, στον κρίκο D και τους μηχανισμούς ρύθμισης. Βεβαιωθείτε ότι κανένα εξάρτημα δεν είναι χαλαρό ούτε λείπει.	<input type="checkbox"/>	<input type="checkbox"/>
	Επιθεωρήστε τους μηχανισμούς ρύθμισης. Ο πείρος χοντρικής ρύθμισης πρέπει να κλειδώνει όταν εισάγεται μέσω οποιασδήποτε από τις οπές ρύθμισης.	<input type="checkbox"/>	<input type="checkbox"/>
	Ελέγξτε ολόκληρη τη μονάδα για υπερβολική διάβρωση. Ελέγξτε τη ροπή στη βίδα ακριβούς ρύθμισης και σφίξτε αν είναι απαραίτητο.	<input type="checkbox"/>	<input type="checkbox"/>
Ετικέτες (Εικόνα 10)	Βεβαιωθείτε ότι όλες οι ετικέτες είναι ασφαλώς προσαρτημένες και ευανάγνωστες (δείτε «Ετικέτες»).	<input type="checkbox"/>	<input type="checkbox"/>
Δομή συστήματος αγκύρωσης	Επιθεωρήστε το πλαίσιο της θύρας, το παράθυρο ή/και τη δομή για να βεβαιωθείτε ότι μπορούν να φέρουν φορτίο και ότι πληρούν τις απαιτήσεις αντοχής του Πίνακα 1.	<input type="checkbox"/>	<input type="checkbox"/>
PFAS και Λοιπός Εξοπλισμός	Ο πρόσθετος εξοπλισμός του Προσωπικού Συστήματος Ανάσχεσης Πτώσης (PFAS) (εξάρτηση, SRL κ.λπ.) που χρησιμοποιείται με το σύστημα αγκύρωσης Flexiguard πρέπει να εγκαθίσταται και να επιθεωρείται σύμφωνα με τις οδηγίες του κατασκευαστή.	<input type="checkbox"/>	<input type="checkbox"/>
<b>Σειριακός(οί) αριθμός(οί):</b>		<b>Ημερομηνία αγοράς:</b>	
<b>Αριθμός μοντέλου:</b>		<b>Ημερομηνία πρώτης χρήσης:</b>	
<b>Διορθωτική ενέργεια/συντήρηση:</b>		Εγκρίθηκε από:	
		Ημερομηνία:	
<b>Διορθωτική ενέργεια/συντήρηση:</b>		Εγκρίθηκε από:	
		Ημερομηνία:	
<b>Διορθωτική ενέργεια/συντήρηση:</b>		Εγκρίθηκε από:	
		Ημερομηνία:	
<b>Διορθωτική ενέργεια/συντήρηση:</b>		Εγκρίθηκε από:	
		Ημερομηνία:	
<b>Διορθωτική ενέργεια/συντήρηση:</b>		Εγκρίθηκε από:	
		Ημερομηνία:	
<b>Διορθωτική ενέργεια/συντήρηση:</b>		Εγκρίθηκε από:	
		Ημερομηνία:	
<b>Διορθωτική ενέργεια/συντήρηση:</b>		Εγκρίθηκε από:	
		Ημερομηνία:	
<b>Διορθωτική ενέργεια/συντήρηση:</b>		Εγκρίθηκε από:	
		Ημερομηνία:	
<b>Διορθωτική ενέργεια/συντήρηση:</b>		Εγκρίθηκε από:	
		Ημερομηνία:	
<b>Διορθωτική ενέργεια/συντήρηση:</b>		Εγκρίθηκε από:	
		Ημερομηνία:	
<b>Διορθωτική ενέργεια/συντήρηση:</b>		Εγκρίθηκε από:	
		Ημερομηνία:	

**1 Αρμόδιο άτομο:** Το άτομο που είναι σε θέση να αναγνωρίσει υπάρχοντες και προβλέψιμους κινδύνους στο περιβάλλον ή σε συνθήκες εργασίας που είναι ανθυγιεινές, επισφαλείς ή επικίνδυνες για τους εργαζομένους, και ο οποίος έχει άδεια να λάβει άμεσα διορθωτικά μέτρα για την εξάλειψή τους.

## INFORMAZIONI SULLA SICUREZZA

**Leggere, comprendere e seguire tutte le informazioni sulla sicurezza contenute nelle presenti istruzioni prima di utilizzare questo connettore d'ancoraggio. IL MANCATO RISPETTO DELLE ISTRUZIONI PUÒ CAUSARE GRAVI LESIONI PERSONALI O MORTE.**

**Fornire le presenti istruzioni all'utente dell'attrezzatura. Conservare queste istruzioni come riferimento in futuro.**

### Uso previsto:

Questo connettore d'ancoraggio deve essere utilizzato come parte di un sistema di protezione anticaduta personale completo.

L'utilizzo per qualsiasi altra applicazione incluse, ma non solo, manipolazione di materiale, attività correlate ricreative o sportive oppure altre attività non descritte nelle istruzioni per l'utente, non è approvato da 3M e può causare gravi lesioni personali o morte.

Il presente dispositivo deve essere utilizzato esclusivamente da utenti addestrati nelle applicazioni relative all'ambito di lavoro.



## AVVERTENZA

Questo connettore d'ancoraggio fa parte di un sistema di protezione anticaduta personale. Si prevede, pertanto, che tutti gli utenti siano completamente addestrati all'installazione e al funzionamento sicuri del loro sistema di protezione anticaduta personale. **L'uso improprio del presente dispositivo può comportare gravi lesioni personali o morte.** Per le modalità corrette di selezione, funzionamento, installazione, manutenzione e assistenza, consultare le presenti istruzioni per l'utente e tutte le raccomandazioni fornite dal produttore; altrimenti rivolgersi al proprio supervisore o contattare l'assistenza tecnica di 3M.

- **Per ridurre i rischi associati all'utilizzo di un connettore d'ancoraggio che, se non evitati, potrebbero causare gravi lesioni o morte:**
  - Ispezionare il dispositivo prima di ogni uso, almeno una volta all'anno, e dopo qualsiasi evento di caduta. Le ispezioni devono essere eseguite conformemente a quanto indicato nelle istruzioni per l'utente.
  - Se, a seguito dell'ispezione, viene individuata una condizione di non sicurezza o difetto, dismettere il dispositivo e ripararlo o sostituirlo secondo le istruzioni per l'utente.
  - Ogni dispositivo che è stato sottoposto all'arresto caduta o a una forza d'impatto deve essere immediatamente messo fuori servizio e distrutto.
  - Il dispositivo deve essere installato esclusivamente nei substrati specificati o sulle strutture indicate nelle Istruzioni per l'utente. Installazioni e usi che fuoriescono dall'ambito di queste istruzioni devono essere approvati da 3M Fall Protection.
  - Il substrato o la struttura a cui è attaccato il connettore d'ancoraggio deve essere in grado di sostenere i carichi statici specificati per l'ancoraggio con gli orientamenti consentiti nelle istruzioni per l'utente.
  - Collegare altri sottosistemi di protezione anticaduta solo al punto di collegamento dell'ancoraggio designato sul dispositivo.
  - Prima di eseguire una perforazione o un fissaggio, assicurarsi che non ci siano linee elettriche, del gas o altri sistemi incorporati critici con cui il trapano o il dispositivo possa venire in contatto.
  - Assicurarsi che i sistemi/sottosistemi di protezione anticaduta assemblati con componenti realizzati da produttori diversi siano compatibili e soddisfino i requisiti degli standard applicabili, inclusi ANSI Z359 o altri codici, standard o requisiti relativi alla protezione anticaduta pertinenti. Consultare sempre una persona competente o qualificata prima di utilizzare questi sistemi.
- **Per ridurre i rischi associati al lavoro in altezza che, se non evitati, potrebbero causare gravi lesioni personali o morte:**
  - Assicurarsi che le proprie condizioni fisiche e di salute permettano una resistenza in completa sicurezza a tutte le forze associate al lavoro in altezza. Consultare il proprio medico in caso di domande relative alla propria capacità d'uso di questa attrezzatura.
  - Non superare mai la capacità consentita della propria attrezzatura di protezione anticaduta.
  - Non superare mai la distanza massima di caduta libera della propria attrezzatura di protezione anticaduta.
  - Non utilizzare mai un'attrezzatura di protezione anticaduta che non abbia superato l'ispezione prima dell'uso o altri controlli programmati oppure in caso di dubbi sull'uso o sull'idoneità dell'attrezzatura in merito all'applicazione. Per eventuali domande, contattare l'assistenza tecnica di 3M.
  - Alcune combinazioni di sottosistemi e componenti potrebbero compromettere il funzionamento di questa attrezzatura. Utilizzare solo collegamenti compatibili. Consultare 3M prima di utilizzare questa attrezzatura in combinazione con componenti o sottosistemi diversi da quelli descritti nelle presenti istruzioni per l'utente.
  - Prestare particolare attenzione in presenza di macchinari in movimento (ad es., il top drive delle torri di perforazione), rischi di carattere elettrico, temperature estreme, rischi di carattere chimico, gas esplosivi o tossici, bordi taglienti oppure al di sotto di materiali sospesi che potrebbero cadere sull'utente o sulla sua attrezzatura di protezione anticaduta.
  - Utilizzare dispositivi Arc Flash o Hot Works quando si lavora in ambienti che presentano temperature elevate.
  - Evitare superfici e oggetti che possano danneggiare l'utente o l'attrezzatura.
  - Durante il lavoro in altezza assicurarsi che ci sia un tirante d'aria di caduta adeguato.
  - Non modificare o alterare mai la propria attrezzatura di protezione anticaduta. Solo 3M o centri con autorizzazione scritta di 3M possono procedere alla riparazione dell'attrezzatura.
  - Prima di utilizzare l'attrezzatura di protezione anticaduta, assicurarsi che esista un piano di salvataggio che permetta un salvataggio immediato nel caso in cui si verifichi un incidente.
  - In caso di incidente, fare in modo che il lavoratore caduto sia sottoposto immediatamente alle cure di un medico.
  - Non utilizzare una cintura in vita per applicazioni di arresto caduta. Utilizzare esclusivamente un'imbracatura integrale.
  - Ridurre al minimo le cadute con pendolo lavorando il più possibile direttamente sotto il punto di ancoraggio.
  - Durante la formazione con questo dispositivo, deve essere utilizzato un sistema di protezione anticaduta secondario in modo da non esporre l'utente a un pericolo di caduta involontario.
  - Quando si installa, utilizza o ispeziona il dispositivo/sistema, indossare sempre i dispositivi di protezione individuale idonei.

Prima di installare e utilizzare l'attrezzatura, registrare le informazioni di identificazione del prodotto dall'etichetta identificativa nel Registro di ispezione e manutenzione (tabella 2) che si trova sul retro del presente manuale.

## DESCRIZIONE ARTICOLO:

la figura 1 illustra l'ancoraggio per montante porta 3M™ DBI-SALA™. L'ancoraggio per montante porta è un connettore d'ancoraggio a punto singolo installabile nel vano di una porta o una finestra.

La figura 2 illustra i componenti dell'ancoraggio per montante porta. Vedere le specificazioni nella Tabella 1. L'ancoraggio per montante porta è formato da un tubo di supporto (A) con una gamba fissa (B) e un cosciale regolabile (C) che scorre lungo il tubo di supporto per adattarsi al vano della porta o della finestra. Il cosciale regolabile è dotato di fori e di un perno (D) per la regolazione di massima. Una volta fissato al suo posto il cosciale regolabile, una manopola con un piede a vite (E) viene serrata per garantire l'ancoraggio per montante porta nel vano della porta/finestra. Un anello a D (F) posto sul tubo di supporto funge da punto di aggancio per il cordino del dispositivo anticaduta retrattile (SRD).

### Tabella 1 - Specificazioni

Specificazioni del sistema:			
<b>Capacità:</b>	<b>ANSI/CE:</b> 1 persona con peso totale (compresi indumenti, utensili, ecc.) non superiore a 140 kg (310 libbre). <b>OSHA:</b> 1 persona con peso totale (compresi indumenti, utensili, ecc.) non superiore a 190 kg (420 libbre).		
<b>Forza dell'ancoraggio:</b>	<b>ANSI/OSHA</b>	<b>Arresto caduta:</b> la struttura alla quale è collegato il connettore d'ancoraggio deve sostenere carichi statici applicati nelle direzioni consentite dal sistema d'arresto caduta di almeno: 16 kN (3.600 libbre) con la certificazione di una persona qualificata <sup>2</sup> o 22 kN (5.000 libbre) senza certificazione. Quando a un ancoraggio è fissato più di un sistema di protezione anticaduta, questi carichi statici devono essere moltiplicati per il numero di sistemi di protezione anticaduta fissati all'ancoraggio.	
	<b>CE EN795</b>	<p><input checked="" type="checkbox"/> <b>OSHA 1926.500 e OSHA 1910.66:</b> gli ancoraggi utilizzati per il collegamento di un sistema di protezione anticaduta devono essere indipendenti da qualsiasi ancoraggio utilizzato per sospendere o sostenere le piattaforme e devono supportare 22 kN (5.000 libbre) per ogni utente collegato oppure devono essere progettati, installati e utilizzati come parte di un sistema di protezione anticaduta completo, con un fattore di sicurezza pari almeno a 2 e supervisionati da una persona qualificata<sup>2</sup>.</p> <p><b>Trattenuta:</b> la struttura alla quale è collegato il connettore d'ancoraggio deve sostenere carichi statici applicati nelle direzioni consentite dal sistema anticaduta di almeno 13 kN (3.000 libbre). Quando all'ancoraggio è fissato più di un sistema di trattenuta, il carico statico deve essere moltiplicato per il numero di sistemi di trattenuta fissati all'ancoraggio.</p> <p><b>Struttura di ancoraggio:</b> la struttura su cui viene montato il connettore d'ancoraggio deve essere in grado di sostenere forza nella/e direzione/i di carico prevista/e. Ciascuna postazione del punto di ancoraggio deve essere in grado di sostenere un carico di 12 kN (2.698 libbre).</p>	
<b>Temperatura di servizio:</b>	-40 °C (-40 °F)		
<b>Resistenza alla rottura del connettore d'ancoraggio</b>	Carico di rottura minimo 22 kN (5.000 libbre)		
<b>Larghezza del montante della porta/finestra:</b>	Vedere la Figura 1: Larghezza minima: 54,6 cm (21,5 pollici), Larghezza massima: 129,5 cm (51 pollici)		
<b>Dimensioni del prodotto:</b>	Vedere la Figura 1		
<b>Peso dell'articolo:</b>	6,3 Kg (14 libbre)		
Specifiche dei componenti:			
Figura di riferimento 2	Componente	Materiali	Note
(A)	Tubo di supporto	Alluminio	
(B)	Piede fisso	Tubo - Alluminio Piede - Acciaio Imbottitura - Gomma	
(C)	Piede regolabile	Alluminio	
(D)	Perno di regolazione di massima	Acciaio	
(E)	Manopola di regolazione di precisione	Manopola - Acciaio Vite - Acciaio Piede - Acciaio Imbottitura - Gomma	
(F)	Anello a D	Lega di acciaio	Resistenza alla trazione - 22,2 kN (5.000 libbre)

**1 Persona qualificata:** persona con un diploma o un certificato professionale riconosciuto e un'esperienza approfondita nel campo della protezione anticaduta. Questa persona deve essere in grado di progettare, analizzare, valutare e specificare i dati della protezione anticaduta.

## 1.0 APPLICAZIONE DELL'ARTICOLO

- 1.1 FINALITÀ:** i connettori d'ancoraggio sono progettati per fornire punti di collegamento d'ancoraggio per i sistemi di arresto caduta<sup>1</sup> o di trattenuta<sup>2</sup>: trattenuta, posizionamento sul lavoro, trasporto del personale, salvataggio, ecc.

**Solo protezione anticaduta:** questo connettore d'ancoraggio è per il collegamento dell'attrezzatura di protezione anticaduta. Non collegare dispositivi di sollevamento a questo connettore d'ancoraggio.

- 1.2 STANDARD:** il connettore d'ancoraggio è conforme agli standard nazionali o regionali segnalati nella copertina di queste istruzioni. Se il prodotto viene rivenduto al di fuori del Paese di destinazione originario, il rivenditore dovrà fornire le presenti istruzioni nella lingua del Paese in cui dovrà essere utilizzato il prodotto.
- 1.3 SUPERVISIONE:** l'installazione dell'attrezzatura deve essere supervisionata da una persona qualificata<sup>3</sup>. L'utilizzo dell'attrezzatura deve essere supervisionato da una persona competente<sup>4</sup>.
- 1.4 FORMAZIONE:** l'attrezzatura deve essere installata e utilizzata da personale qualificato. Il presente manuale deve essere utilizzato nell'ambito di un programma di formazione dei dipendenti, come richiesto dalla CE. È responsabilità dell'utente e dell'installatore dell'attrezzatura assicurarsi di avere dimestichezza con queste istruzioni e di conoscere correttamente le procedure di uso e manutenzione, di essere consapevoli delle caratteristiche di funzionamento, dei limiti di applicazione e delle conseguenze di un uso improprio.
- 1.5 PIANO DI SALVATAGGIO:** durante l'utilizzo della presente attrezzatura e dei sottosistemi di connessione, il responsabile deve disporre di un piano di salvataggio, nonché dei mezzi per implementarlo e comunicarlo a utenti, persone autorizzate<sup>5</sup> e soccorritori<sup>6</sup>. Si consiglia la presenza di una squadra di soccorso addestrata in loco. I membri della squadra devono conoscere le tecniche e disporre delle attrezzature necessarie per un soccorso efficace. La formazione deve essere fornita periodicamente per garantire la competenza dei soccorritori.
- 1.6 FREQUENZA DELLE ISPEZIONI:** il connettore d'ancoraggio deve essere ispezionato dall'utente prima di ciascun utilizzo e da una persona competente diversa dall'utente, almeno una volta l'anno.<sup>7</sup> Le procedure d'ispezione sono descritte nel "Registro di ispezione e manutenzione". I risultati di ciascuna ispezione della persona competente devono essere registrati in copie del "Registro di ispezione e manutenzione".
- 1.7 DOPO UNA CADUTA:** se il connettore d'ancoraggio è stato soggetto alle forze di arresto di una caduta, deve essere rimosso immediatamente dal servizio e distrutto.

## 2.0 REQUISITI DI SISTEMA

- 2.1 ANCORAGGIO:** i requisiti di ancoraggio variano in base all'applicazione della protezione anticaduta. La struttura su cui è collocato o montato il connettore d'ancoraggio che deve rispondere alle specificazioni di ancoraggio definite nella Tabella 1.
- 2.2 SISTEMA DI PROTEZIONE ANTICADUTA:** la Figura 1 mostra l'applicazione del connettore d'ancoraggio. I sistemi di protezione anticaduta utilizzati con questo sistema devono soddisfare gli standard, i codici e i requisiti applicabili di protezione anticaduta. Fare riferimento alle istruzioni incluse con cordino o SRD per le limitazioni di caduta libera. Il sistema di protezione anticaduta deve essere dotato di imbracatura integrale e limitare la forza di arresto massima (Maximum Arresting Force, MAF) ai valori seguenti:

	ANSI/OSHA	CE
<b>Sistema di protezione anticaduta con cordino assorbitore di energia</b>	4 kN (900 libbre)	6 kN (1350 libbre)
<b>Sistema di protezione anticaduta con dispositivo retrattile</b>	4 kN (900 libbre)	6 kN (1350 libbre)

- 2.3 TRAIETTORIA DI CADUTA E VELOCITÀ DI BLOCCAGGIO DEL DISPOSITIVO ANTICADUTA RETRATTILE:** è necessaria una traiettoria sgombra per garantire l'efficacia dell'arresto di un dispositivo autoretrattile (Self-Retracting Device, SRD). Evitare situazioni che non consentano una traiettoria di caduta libera. Lavorare in spazi stretti o bloccati potrebbe impedire il raggiungimento della velocità di arresto adeguata dell'SRD in caso di caduta. Lavorare su materiali a lento spostamento, come sabbia o sementi, potrebbe impedire il raggiungimento della velocità di arresto adeguata per bloccare l'SRD.
- 2.4 PERICOLI:** l'utilizzo dell'attrezzatura in aree con rischi ambientali può richiedere ulteriori precauzioni per prevenire lesioni all'utente o danneggiamenti all'attrezzatura. Tra i rischi possono esservi i seguenti (pur non essendo limitati a questi): calore, sostanze chimiche, ambienti corrosivi, linee ad alta tensione, gas tossici o esplosivi, macchinari in movimento, bordi taglienti o la presenza di materiali al di sopra dell'utente che possono cadere ed entrare in contatto con l'utente o con il sistema d'arresto caduta.

**1 Sistema d'arresto caduta:** un insieme di attrezzature di protezione anticaduta configurate per fermare una caduta libera.

**2 Sistema di trattenuta:** un insieme di attrezzature di protezione anticaduta configurato per evitare che il centro di gravità di una persona raggiunga un punto di pericolo di caduta.

**3 Persona qualificata:** persona con un diploma o un certificato professionale riconosciuto e un'esperienza approfondita nel campo della protezione anticaduta. Questa persona deve essere in grado di progettare, analizzare, valutare e specificare i dati della protezione anticaduta.

**4 Persona competente:** persona in grado di individuare i rischi esistenti e prevedibili nell'ambiente circostante o condizioni di lavoro malsane, rischiose o pericolose per i dipendenti, autorizzata a prendere immediati provvedimenti per porvi rimedio.

**5 Persona autorizzata:** ai sensi delle norme Z359, una persona incaricata dal datore di lavoro di svolgere delle mansioni in un luogo in cui la persona sarà esposta a pericolo di caduta.

**6 Soccorritore:** persona o persone diverse dal soggetto a rischio che agiscono per compiere un salvataggio assistito tramite il funzionamento di un sistema di salvataggio.

**7 Frequenza delle ispezioni:** condizioni di lavoro estreme (ambienti proibitivi, uso prolungato e così via) possono richiedere un incremento nella frequenza delle ispezioni da parte della persona competente.

**2.5 TIRANTE D'ARIA DI CADUTA:** la Figura 3 illustra i componenti di un sistema d'arresto caduta. Deve essere presente un tirante d'aria di caduta sufficiente per arrestare una caduta prima che l'operatore tocchi il terreno o altri impedimenti. Il tirante d'aria è influenzato da numerosi fattori tra cui: Posizione di ancoraggio, (A) lunghezza del cordino, (B) distanza di decelerazione del cordino o distanza massima di arresto dell'SRD, (C) cedimento dell'imbracatura e anello a D/lunghezza del connettore e assestamento (in genere un fattore di sicurezza di 1 m). Fare riferimento al manuale fornito con il sottosistema d'arresto caduta per le specifiche relative al calcolo del tirante d'aria di caduta

**2.6 CADUTE CON PENDOLO:** le cadute con pendolo si verificano quando il punto di ancoraggio non è esattamente al di sopra del punto in cui si verifica la caduta (vedere la Figura 4). Durante una caduta con pendolo, la forza d'urto contro un oggetto può causare gravi lesioni o decesso. Ridurre al minimo le cadute con pendolo lavorando il più possibile direttamente sotto il punto di ancoraggio. Per evitare lesioni, prevenire le cadute con pendolo. In caso di uso di un dispositivo anticaduta retrattile o di altri sottosistemi di connessione a lunghezza variabile, le cadute con pendolo necessitano di un tirante d'aria significativamente maggiore.

**2.7 COMPATIBILITÀ DEI COMPONENTI:** l'attrezzatura 3M è progettata solo per l'utilizzo con componenti e sottosistemi approvati da 3M. Eventuali sostituzioni con componenti o sottosistemi non approvati potrebbero compromettere la compatibilità delle apparecchiature e la sicurezza, nonché l'affidabilità di tutto il sistema.

**2.8 COMPATIBILITÀ DEI CONNETTORI:** i connettori sono considerati compatibili con gli elementi di collegamento quando sono progettati per essere utilizzati in modo che le rispettive forme e dimensioni non causino l'apertura involontaria dei meccanismi di chiusura, indipendentemente dal modo in cui si orientano. In caso di dubbi sulla compatibilità, contattare 3M.

I connettori (ganci, moschettoni e anelli a D) devono essere in grado di supportare almeno 22,2 kN (5000 libbre). I connettori devono essere compatibili con l'ancoraggio o altri componenti del sistema. Non utilizzare attrezzature non compatibili. I connettori non compatibili potrebbero sganciarsi involontariamente (vedere la Figura 5). I connettori devono essere compatibili per dimensioni, forma e potenza. Se l'elemento di collegamento a cui è agganciato un gancio doppia leva o un moschettone ha una forma irregolare o le dimensioni sono inferiori a quanto necessario, l'elemento di collegamento potrebbe applicare una forza al dispositivo di chiusura del gancio doppia leva o del moschettone (A). Tale forza potrebbe indurre l'apertura del dispositivo di chiusura (B) e, di conseguenza, il gancio doppia leva o il moschettone potrebbe sganciarsi dal punto di collegamento (C).

I ganci doppia leva e i moschettoni autobloccanti sono previsti in conformità alla norma ANSI Z359 e OSHA.

**2.9 REALIZZAZIONE DEI COLLEGAMENTI:** i ganci doppia leva e i moschettoni utilizzati con questa attrezzatura devono disporre di un meccanismo di autobloccaggio. Assicurarsi che i connettori siano di dimensioni, forma e resistenza compatibili. Non utilizzare attrezzature non compatibili. Assicurarsi che tutti i connettori siano completamente chiusi e bloccati.

I connettori 3M (ganci doppia leva e moschettoni) sono progettati solo per l'utilizzo specificato nelle istruzioni per l'utente di ciascun prodotto. Vedere la Figura 6 per esempi di collegamenti non appropriati. Non collegare i ganci doppia leva e i moschettoni come descritto:

- A. A un anello a D a cui è collegato un altro connettore.
- B. In modo tale da indurre un carico sul dispositivo di chiusura. Non collegare ganci doppia leva con ampia distanza tra i bracci ad anelli a D di dimensioni standard oppure oggetti simili in modo da indurre un carico sul dispositivo di chiusura in caso di torsione o rotazione del gancio o dell'anello a D, a meno che il gancio doppia leva non sia dotato di dispositivo di chiusura da 16 kN (3600 libbre). Controllare la marcatura sul proprio gancio doppia leva per verificarne l'idoneità per l'applicazione prevista.
- C. In un falso aggancio, dove gli elementi che sporgono dal gancio doppia leva o dal moschettone si agganciano al sistema di ancoraggio e senza conferma visiva che attesti il completo aggancio al punto di ancoraggio.
- D. Uno all'altro.
- E. Direttamente al cordino con fune o con nastro o con collegamento diretto, a meno che le istruzioni del produttore relative al cordino e al connettore non consentano specificatamente tale collegamento.
- F. A qualsiasi oggetto di forma o dimensione tale da impedire la chiusura e il blocco del gancio doppia leva o del moschettone o da causare lo sganciamento.
- G. In un modo che non consenta al connettore di allinearsi correttamente quando sotto carica.

### 3.0 INSTALLAZIONE

*Per i punti di ancoraggio certificati, la struttura a cui è agganciato il connettore di ancoraggio deve essere progettata o valutata da una Persona qualificata<sup>1</sup>. I punti di ancoraggio non certificati possono essere approvati da una Persona competente<sup>2</sup> (vedere la Tabella 1).*

**3.1 PIANIFICAZIONE:** pianificare il sistema di protezione anticaduta prima di installare l'ancoraggio per montante porta. Considerare tutti i fattori che possono influire sulla sicurezza prima, durante e dopo una caduta. Prendere in considerazione tutti i requisiti, le limitazioni e le specifiche definiti nella Sezione 2 e nella Tabella 1.

**3.2 INSTALLAZIONE DELL'ANCORAGGIO PER MONTANTE PORTA:** l'ancoraggio per montante porta può essere installato su qualsiasi telaio di porta o finestra con la larghezza minima e le larghezze massime consentite e adatte ai requisiti dell'ancoraggio specificato (vedere la Tabella 1). La figura 7 illustra l'installazione dell'ancoraggio per montante porta. Per installare l'ancoraggio per montante porta:

1. Regolare l'ancoraggio per montante porta in modo che si adatti all'apertura desiderata, rimuovendo il perno di regolazione e facendo scivolare il cosciale regolabile verso l'anello a D. Ruotare in senso antiorario la manopola di regolazione di precisione fino a posizionare il piede contro il tubo di sostegno.
2. Posizionare l'ancoraggio per montante porta nell'apertura della porta o della finestra con l'anello a D rivolto verso la zona di lavoro. Il cosciale regolabile può essere posizionato a sinistra o a destra dell'apertura. L'ancoraggio per montante porta deve appoggiarsi sulla base della finestra o dell'apertura della porta. Non tentare di installare l'ancoraggio per montante porta in una posizione non supportata dal pavimento o dal davanzale.
3. Far scorrere il cosciale regolabile il più vicino possibile al supporto della finestra e inserire il perno di regolazione nella serie di fori di regolazione più vicina. Fissare saldamente l'ancoraggio nel vano della porta o della finestra serrando la manopola di regolazione fine. Al termine dell'installazione l'ancoraggio per montante porta deve essere solido e bloccato.

### 4.0 USO

**4.1 PRIMA DI OGNI USO:** verificare che la propria area di lavoro e il sistema di protezione anticaduta soddisfino tutti i criteri definiti nella Sezione 2 e che sia messo in atto un piano formale di salvataggio. Ispezionare l'ancoraggio per montante porta in base ai punti di ispezione "utente" indicati nel "Registro di ispezione e manutenzione" (Tabella 2). Non utilizzare il sistema se l'ispezione rivela una condizione pericolosa o difettosa. Ritirare il sistema dal servizio e distruggerlo o contattare 3M per un'eventuale riparazione o sostituzione.

**4.2 COLLEGAMENTI DI ARRESTO CADUTA:** l'ancoraggio per montante porta è utilizzato con un'imbracatura integrale e cordino dissipatore di energia o con il dispositivo autoretrattile (Self-Retracting Device, SRD). La Figura 8 illustra la connessione del cordino (A) o SRD (B) tra l'imbracatura e l'ancoraggio per montante porta. Collegare il cordino o l'SRD tra l'anello a D sull'ancoraggio per montante porta e l'attacco dorsale a D sul retro dell'imbracatura seguendo le indicazioni riportate nelle istruzioni fornite con il cordino o l'SRD.

**Area di lavoro sicura:** la Figura 8 illustra l'area di lavoro sicura per l'ancoraggio per montante porta. Per evitare un carico inappropriato sul punto di collegamento dell'ancoraggio, non lavorare mai con un angolo orizzontale maggiore di 30° dalla perpendicolare al lato dell'ancoraggio per montante porta (vedere la Figura 2). Non lavorare mai in una posizione sopra o sotto punti di collegamento dell'ancoraggio che superi i requisiti di carico verticali illustrati nella Figura 2.

### 5.0 ISPEZIONE

**5.1 FREQUENZA DELLE ISPEZIONI:** l'ancoraggio per montante porta deve essere sottoposto a ispezione agli intervalli definiti nella Sezione 1. Le procedure d'ispezione sono descritte nel "Registro di ispezione e manutenzione" (Tabella 2). Ispezionare tutti gli altri componenti del sistema di protezione anticaduta seguendo la frequenza e le procedure indicate nelle istruzioni del produttore.

**Etichetta RFID:** gli ancoraggi per montante porta sono dotati di una targhetta di identificazione a radiofrequenza (Radio Frequency Identification, RFID). La targhetta RFID può essere usata in combinazione con un dispositivo manuale di lettura sia per semplificare l'ispezione e il controllo dell'inventario, sia per fornire informazioni sull'attrezzatura anticaduta.

**5.2 DIFETTI:** qualora l'ispezione riveli una condizione pericolosa o difettosa, rimuovere immediatamente l'ancoraggio per montante porta dal servizio e contattare 3M per un'eventuale sostituzione o riparazione. Non cercare di riparare il sistema d'arresto caduta.

**Solo riparazioni autorizzate:** solo 3M o centri con autorizzazione scritta possono procedere alla riparazione di questa attrezzatura.

**5.3 VITA DEL PRODOTTO:** la durata operativa del sistema d'arresto caduta dipende dalle condizioni di lavoro e dalla manutenzione. L'articolo può rimanere in servizio finché è in grado di soddisfare i criteri di ispezione.

**1 Persona qualificata:** persona con un diploma o un certificato professionale riconosciuto e un'esperienza approfondita nel campo della protezione anticaduta. Questa persona deve essere in grado di progettare, analizzare, valutare e specificare i dati della protezione anticaduta.

**2 Persona competente:** persona in grado di individuare i rischi esistenti e prevedibili nell'ambiente circostante o condizioni di lavoro malsane, rischiose o pericolose per i dipendenti, autorizzata a prendere immediati provvedimenti per porvi rimedio.




## 6.0 MANUTENZIONE, ASSISTENZA E STOCCAGGIO

- 6.1 PULIZIA:** pulire regolarmente i componenti metallici dell'ancoraggio per montante porta con una spazzola morbida, acqua calda e un detergente neutro. Accertarsi che le parti siano completamente risciacquate con acqua pulita.
- 6.2 ASSISTENZA:** solo 3M o centri con autorizzazione scritta da parte di 3M possono procedere alla riparazione di questa attrezzatura. Se l'ancoraggio per montante porta è stato sottoposto a forza di caduta o in seguito a un'ispezione viene individuata una condizione di non sicurezza o difetto, ritirare immediatamente il sistema dal servizio e contattare 3M per un'eventuale riparazione o sostituzione.
- 6.3 CONSERVAZIONE E TRASPORTO:** quando non viene utilizzato, conservare e trasportare l'ancoraggio per montante porta e la relativa attrezzatura di protezione anticaduta in un ambiente fresco, asciutto e pulito, lontano da luce solare diretta. Evitare zone con vapori chimici. Dopo un lungo periodo di inutilizzo, ispezionare attentamente i componenti.

## 7.0 ETICHETTE

La figura 9 illustra le etichette sull'ancoraggio per montante porta. Sostituire le etichette se non sono completamente leggibili. Su ogni etichetta sono presenti le informazioni seguenti:

	Leggere tutte le istruzioni.
①	DATI TECNICI: Capacità: 1 persona, ANSI 140 kg (310 libbre) max, OSHA 190 kg (420 libbre) max. Massima forza di arresto: 8 kN (1800 libbre) Materiali: ancoraggio in alluminio; anello a D in lega di acciaio zincato STANDARD: Conforme alle normative ANSI Z359.18 Tipo A e OSHA 1926.502 e 1910.140 Forza di frenata minima: 22 kN (5000 libbre) MBS Temperatura minima di servizio ANSI -40 °C (-40 °F)
②	USO: Per i dettagli su come contrassegnare le connessioni, consultare il manuale utente. Durante l'uso non consentire alla fune dispositivo di usurarsi contro spigoli vivi. Prestare cautela quando si usa questa attrezzatura vicino a fonti termiche, elettriche, o chimiche pericolose. Per ulteriori informazioni, consultare il manuale utente.
③	ISPEZIONE: Ispezionare l'ancoraggio prima di ogni uso. Almeno una volta al mese occorre far ispezionare l'ancoraggio da una persona competente secondo quanto indicato dal manuale utente. Non utilizzare i componenti se l'ispezione rivela una condizione insicura o difettosa. Non riparabile dall'utente.  Questo prodotto è abilitato RFID e contiene un'etichetta elettronica facilmente leggibile da dispositivi di lettura compatibili che fornisce ispezione e altri dati di sicurezza.
④	DIREZIONI DI CARICO CONSENTITE: Per evitare un carico inappropriato sul punto di collegamento dell'ancoraggio, non lavorare mai con un angolo orizzontale maggiore di 30° dalla perpendicolare al lato dell'ancoraggio per montante porta. Non lavorare mai in una posizione sopra o sotto punti di collegamento dell'ancoraggio che superi i requisiti di carico verticali.
⑤	Questo montante per porta/finestra deve essere installato alla base della finestra o della porta, poggiando sul davanzale o sul pavimento. Se non è appoggiato sul davanzale, l'ancoraggio può ruotare. In condizioni di carico, permettere all'ancoraggio di uscire liberamente dal vano della finestra o della porta. Non seguendo queste istruzioni potrebbero verificarsi gravi danneggiamenti o morte.
⑥	ID dello standard CE e dell'ente notificato
⑦	Mese/anno di fabbricazione e numero di lotto
⑧	Prima dell'uso, occorre leggere e comprendere le istruzioni del produttore. Per garantire l'uso, la manutenzione e l'ispezione corretti, occorre seguire le istruzioni fornite con questo prodotto al momento della spedizione. Eventuali alterazioni o utilizzi non appropriati del prodotto o la mancata osservanza delle istruzioni possono causare gravi lesioni o la morte. Realizzare esclusivamente le connessioni compatibili. Vedere il manuale utente.
⑨	Numero di modello del prodotto
⑩	Sede del produttore
⑪	Massimo una persona
⑫	Intervallo temperatura di esercizio: da -40 °C a +60 °C
⑬	Scheda delle ispezioni: Data, Iniziali

### Tabella 2 - Registro di ispezione e manutenzione

Data di ispezione:		Ispezionato da:	
Componenti:	Ispezione: (vedere la Sezione 1 per la Frequenza delle ispezioni)	Utente	Persona competente <sup>1</sup>
Ancoraggio per montante porta (Figura 2)	Ispezionare l'ancoraggio per montante porta in relazione a danneggiamenti: Verificare incrinature, ammaccature o deformazioni. Verificare che il tubo di supporto, l'anello a D e i meccanismi di regolazione non presentino piegature o usura. Verificare che nessuna parte sia allentata o mancante.	<input type="checkbox"/>	<input type="checkbox"/>
	Controllare i meccanismi di regolazione. Il perno di regolazione deve bloccarsi quando viene inserito attraverso uno dei fori di regolazione.	<input type="checkbox"/>	<input type="checkbox"/>
	Verificare che l'intera unità non presenti segni di corrosione. Verificare la coppia applicata alla vite di regolazione di precisione e serrarla se necessario.	<input type="checkbox"/>	<input type="checkbox"/>
Etichette (Figura 10)	Verificare che tutte le etichette siano saldamente attaccate e leggibili (vedere la sezione "Etichette").	<input type="checkbox"/>	<input type="checkbox"/>
Struttura di ancoraggio	Ispezionare il telaio della porta, della finestra e/o della struttura per verificare che sia in grado di reggere il carico e soddisfi i requisiti di resistenza indicati nella Tabella 1.	<input type="checkbox"/>	<input type="checkbox"/>
Sistemi di protezione anticaduta e altra attrezzatura	Le apparecchiature aggiuntive del sistema di protezione anticaduta (imbracatura, dispositivo anticaduta retrattile, ecc.) utilizzate insieme al sistema di ancoraggio FlexiGuard devono essere installate e ispezionate conformemente alle istruzioni del produttore.	<input type="checkbox"/>	<input type="checkbox"/>

Numeri di serie:	Data di acquisto:
Numero modello:	Data del primo utilizzo:
<b>Azione correttiva/Manutenzione:</b>	Approvato da:
	Data:
<b>Azione correttiva/Manutenzione:</b>	Approvato da:
	Data:
<b>Azione correttiva/Manutenzione:</b>	Approvato da:
	Data:
<b>Azione correttiva/Manutenzione:</b>	Approvato da:
	Data:
<b>Azione correttiva/Manutenzione:</b>	Approvato da:
	Data:
<b>Azione correttiva/Manutenzione:</b>	Approvato da:
	Data:
<b>Azione correttiva/Manutenzione:</b>	Approvato da:
	Data:
<b>Azione correttiva/Manutenzione:</b>	Approvato da:
	Data:
<b>Azione correttiva/Manutenzione:</b>	Approvato da:
	Data:
<b>Azione correttiva/Manutenzione:</b>	Approvato da:
	Data:
<b>Azione correttiva/Manutenzione:</b>	Approvato da:
	Data:
<b>Azione correttiva/Manutenzione:</b>	Approvato da:
	Data:

<sup>1</sup> **Persona competente:** persona in grado di individuare i rischi esistenti e prevedibili nell'ambiente circostante o condizioni di lavoro malsane, rischiose o pericolose per i dipendenti, autorizzata a prendere immediati provvedimenti per porvi rimedio.

## VEILIGHEIDSINFORMATIE

Lees alle veiligheidsinformatie in deze instructies voordat u deze verankeringsconnector gebruikt. Vergewis u ervan dat u alle informatie en instructies hebt begrepen en volg deze op. **NALATIGHEID KAN ERNSTIG LETSEL OF DE DOOD TOT GEVOLG HEBBEN.**

Deze instructies dienen aan de gebruiker van deze apparatuur verstrekt te worden. Bewaar deze instructies zodat u ze later kunt raadplegen.

### Beoogd gebruik:

Deze verankeringsconnector is bedoeld voor gebruik als onderdeel van een volledig persoonlijk valbeveiligingssysteem.

Gebruik in andere toepassingen, inclusief (maar niet beperkt tot) materiaalbehandeling, vrijetijdsactiviteiten, sporten of andere activiteiten die niet in de gebruiksinstructies omschreven staan, wordt niet goedgekeurd door 3M en kan leiden tot een ongeval met ernstig letsel of de dood tot gevolg.

Dit apparaat mag uitsluitend worden gebruikt door opgeleide gebruikers voor toepassing op de werkplaats.



## WAARSCHUWING

Deze verankeringsconnector maakt deel uit van een persoonlijk valbeveiligingssysteem. Er wordt verwacht dat alle gebruikers volledig zijn opgeleid voor een veilige installatie en veilig gebruik van hun persoonlijke valbeveiligingssysteem. **Misbruik van dit apparaat kan leiden tot ernstig letsel of een dodelijk ongeval.** Raadpleeg voor het correct selecteren, installeren, bedienen, onderhouden en verzorgen deze gebruiksaanwijzing, inclusief alle aanbevelingen van de fabrikant, of raadpleegt u uw leidinggevende of neemt u contact op met 3M Technical Services.

- **Doe het volgende om de risico's die gepaard gaan met het werken met een verankeringsconnector te beperken. Dit nalaten kan leiden tot ernstig letsel of een dodelijk ongeval:**
  - Inspecteer voorafgaand aan elk gebruik alle onderdelen van het systeem, minstens één keer per jaar en na elke valgebeurtenis. Voer de inspectie uit conform de gebruiksinstructies.
  - Als uit inspectie een defect of onveilige werking blijkt, stelt u het apparaat onmiddellijk buiten gebruik en zorgt u voor reparatie of vervanging volgens de gebruiksinstructies.
  - Elk apparaat dat eerder werd onderworpen aan valstop- of botskrachten, moet onmiddellijk buiten gebruik worden gesteld en vernietigd.
  - Het apparaat mag alleen worden geïnstalleerd in de substraten of op de structuren die zijn vermeld in de gebruikersinstructies. Installaties en vormen van gebruik die buiten het bereik van de instructies vallen, moeten schriftelijk door 3M Fall Protection worden goedgekeurd.
  - Het substraat of de structuur waarop de verankeringsconnector is bevestigd/gepositioneerd, moet de statische belastingen die zijn opgegeven voor de verankeringsconnector kunnen ondersteunen in de oriëntaties die volgens de gebruiksinstructies zijn toegestaan.
  - Sluit andere valbeveiligingssubsystemen uitsluitend aan op het aangewezen verankeringsverbindingpunt van het apparaat.
  - Zorg er bij het boren van gaten voor montage of installatie van het systeem voor dat er geen elektrische kabels, gasleidingen of andere kritische materialen of apparatuur door de boor kunnen worden geraakt.
  - Zorg ervoor dat valbeveiligingssystemen/-subsystemen samengesteld uit onderdelen van verschillende fabrikanten compatibel zijn en aan de geldende normen voldoen, waaronder ANSI Z359 of andere geldende voorschriften, normen of vereisten op het gebied van valbescherming. Raadpleeg altijd een deskundige en/of een gekwalificeerd persoon voordat u deze systemen gebruikt.
- **Doe het volgende om de risico's te beperken die gepaard gaan met het werken op hoogte, waarbij nalatigheid kan leiden tot een ongeval met ernstig letsel of de dood tot gevolg:**
  - Vergewist u zich ervan dat u met uw gezondheid en lichamelijke conditie veilig bestand bent tegen alle krachten die kunnen optreden bij het werken op hoogte. Raadpleeg uw arts als u twijfelt of u in staat bent om deze uitrusting te gebruiken.
  - Overschrijd nooit de toelaatbare capaciteit van uw valbeveiligingsuitrusting.
  - Overschrijd nooit de maximale vrijevalafstand van uw valbeveiligingsuitrusting.
  - Gebruik nooit valbeveiligingsuitrusting die een gebrek vertoont bij de inspectie vóór het gebruik of andere periodieke inspecties, of als u onzeker bent over het gebruik of de geschiktheid van de uitrusting voor uw toepassing. Neem voor al uw vragen contact op met 3M Technical Services.
  - Sommige combinaties van subsystemen en componenten kunnen de werking van deze uitrusting verstoren. Gebruik uitsluitend koppelingen die onderling geschikt zijn. Raadpleeg 3M voordat u deze apparatuur gebruikt in combinatie met andere componenten of subsystemen dan die welke in de gebruiksinstructies beschreven staan.
  - Wees extra voorzichtig bij het werken in de buurt van bewegende machines (bijv. top drive van boorplatform), op plaatsen met elektrische gevaren, extreme temperaturen, chemische gevaren, explosieve of giftige gassen, scherpe randen, of onder voorwerpen boven het hoofd die op u of uw valbeveiligingsuitrusting kunnen vallen.
  - Gebruik bij werken in een hete omgeving of met hitteapparatuur beschermingsmiddelen tegen risico's op een vlamboog en brandgevaar.
  - Vermijd oppervlakken en voorwerpen die de gebruiker of de uitrusting kunnen beschadigen.
  - Vergewist u zich ervan dat er voldoende vrije val is bij het werken op hoogte.
  - Wijzig of verander uw valbeveiligingsuitrusting nooit. Alleen 3M, of partijen die door 3M schriftelijk bevoegd worden gesteld, mogen de uitrusting repareren.
  - Zorg, voordat de valbeveiligingsuitrusting in gebruik wordt genomen, dat er een reddingsplan aanwezig is waarmee in geval van een ongeval snel hulp kan worden geboden.
  - Laat na een val de betreffende persoon onmiddellijk door een arts onderzoeken.
  - Gebruik geen lichaamsgordel voor valstop-toepassingen. Gebruik uitsluitend een volledig lichaamsharnas.
  - Minimaliseer zwenkvallen door zo recht mogelijk onder het ankerpunt te werken.
  - Bij training met dit apparaat moet een tweede valbeveiligingssysteem worden gebruikt, om elk risico te vermijden dat de gebruiker-in-training per ongeluk aan valgevaar wordt blootgesteld.
  - Draag altijd geschikte persoonlijke beschermingsmiddelen bij het installeren, gebruiken of inspecteren van het apparaat/systeem.

*Noteer, voorafgaand aan het gebruik of de installatie van deze apparatuur, de productidentificatiegegevens van het ID-label in het logboek voor inspectie en onderhoud (Tabel 2) achter in deze handleiding.*

### PRODUCTBESCHRIJVING:

Afbeelding 1 geeft het 3M™ DBI-SALA™ deurstijlanker weer. Het deurstijlanker is een enkelpunts verankeringsconnector die op een deur- of vensteropening gemonteerd kan worden.

Afbeelding 2 geeft componenten van het deurstijlanker weer. Zie Tabel 1 voor de specificaties. Het deurstijlanker bestaat uit een steunbuis (A) met een vast uiteinde (B) en afstelbaar uiteinde (C) dat langs de steunbuis glijdt zodat deze in de deur- of vensteropening past. Het afstelbare uiteinde heeft pengaten en een pen (D) voor grove afstelling. Zodra het afstelbare uiteinde op zijn plaats is vastgezet, wordt een knop met een schroefvoet (E) vastgedraaid om het deurstijlanker in de deur-/vensteropening vast te zetten. Een D-ring (F) op de steunbuis dient als het verbindingspunt voor een lijn of automatisch blokkerende vallijn.

**Tabel 1 – Specificaties**

Systeemspecificaties:			
<b>Capaciteit:</b>	<b>ANSI/CE:</b> 1 persoon met een gecombineerd gewicht (kleding, gereedschap etc.) van niet meer dan 310 lbs (140 kg). <b>OSHA:</b> 1 persoon met een gecombineerd gewicht (kleding, gereedschap etc.) van niet meer dan 420 lbs (190 kg)		
<b>Verankeringssterkte:</b>	<b>ANSI/OSHA</b>	<b>Valstop:</b> De constructie waaraan de verankeringsconnector is bevestigd, dient statische ladingen op te kunnen vangen in de richtingen die het valstopstelsel toestaat van minstens: 3.600 lbs (16 kN) met certificering van een gekwalificeerd persoon <sup>2</sup> ; of 5.000 lbs (22 kN) zonder certificering. Wanneer er meer dan één persoonlijk systeem voor valbescherming (PFAS) is bevestigd aan een verankeringspunt, dienen deze statische ladingen te worden vermenigvuldigd met het aantal PFAS dat bevestigd is aan de verankeringspunt.	
	<b>CE EN795</b>	<b>Verankeringsstructuur:</b> De constructie waarop de valstopverbinding gemonteerd is, moet in de verwachte beweegrichting(en) in staat zijn om kracht te behouden. De locatie van elk vast verankeringspunt moet een belasting van 2,698 lbs (12 kN) kunnen dragen.	
	<input checked="" type="checkbox"/> <b>OSHA 1926.500 en OSHA 1910.66:</b> Verankeringspunten die gebruikt worden voor het bevestigen aan een persoonlijk systeem voor valbescherming (PFAS), moeten onafhankelijk zijn van alle andere verankeringspunten die gebruikt worden om platforms te ondersteunen of te dragen, en moeten 22 kN (5000 lbs.) per aangekoppelde gebruiker ondersteunen; of ontwikkeld of geïnstalleerd zijn en gebruikt worden als onderdeel van een compleet persoonlijk systeem voor valbescherming dat een veiligheidsfactor van ten minste twee aanhoudt, en onder supervisie staat van een gekwalificeerd persoon. <sup>2</sup> .		
	<b>Beperking:</b> De constructie waaraan de verankeringsconnector is bevestigd, dient statische ladingen op te kunnen vangen in de richtingen die het valopvangstelsel toestaat van ten minste 3.000 lbs (13 kN). Wanneer er meer dan één valopvangstelsel aan een verankeringspunt is bevestigd, moet de statische lading worden vermenigvuldigd met het aantal valopvangsystemen dat is bevestigd aan die verankeringspunt.		
<b>Gebruikstemperatuur:</b>	-40 °C ( -40 °F)		
<b>Breekkracht van de verankeringsconnector</b>	Minimale breukvastheid is 22 kN (5.000 lbs)		
<b>Breedte van de deur/-vensterstijl:</b>	Zie afbeelding 1: minimale breedte: 21,5 inch (54,6 cm), maximale breedte: 51,0 inch (129,5 cm)		
<b>Productafmetingen:</b>	Zie afbeelding 1		
<b>Productgewicht:</b>	6,3 kg (14,0 lbs)		
Componentspecificaties:			
Referentie in afbeelding 2	Onderdeel	Materialen	Notities
Ⓐ	Steunbuis	Aluminium	
Ⓑ	Vast uiteinde	Buis - aluminium Voet - staal Pad - rubber	
Ⓒ	Verstelbaar been	Aluminium	
Ⓓ	Grove afstellingspen	Staal	
Ⓔ	Fijne afstelknop	Knop - staal Schroef - staal Voet - staal Pad - rubber	
Ⓕ	D-ring	Gelegeerd staal	Treksterkte 5.000 lbs (22,2 kN)

**1 Gekwalificeerd persoon:** Een persoon met een erkende graad of een professioneel certificaat en uitgebreide ervaring op het gebied van valbeveiliging. Deze persoon moet in staat zijn tot het ontwerpen, analyseren, evalueren en specificeren van producten op het gebied van valbeveiliging.

## 1.0 TOEPASSING VAN HET PRODUCT

- 1.1 DOEL:** Verankeringsconnectors zijn ontworpen om bevestigingspunten voor de verankerungen te bieden voor valstop<sup>-1</sup> of valbeperking<sup>2</sup>systemen: Beperking, Werkpositionering, Personeelbewegingen, Redding, enz.

**Alleen valbescherming:** Deze verankeringsconnector dient voor het verbinden van valbeveiligingsapparatuur. Verbind geen hijsapparatuur aan deze verankeringsconnector.

- 1.2 NORMEN:** Uw verankeringsconnector voldoet aan de nationale of regionale norm(en) die staan vermeld op de omslag van deze instructies. Als dit product opnieuw verkocht wordt buiten het oorspronkelijke land van bestemming, dient de wederverkoper deze instructies te leveren in de taal van het land waarin het product gebruikt zal worden.
- 1.3 TOEZICHT:** Installatie van deze apparatuur dient plaats te vinden onder toezicht van een gekwalificeerde persoon<sup>3</sup>. Het gebruik van deze apparatuur moet plaatsvinden onder toezicht van een deskundige<sup>4</sup>.
- 1.4 TRAINING:** Deze apparatuur moet geïnstalleerd en gebruikt worden door personen die getraind zijn in de juiste toepassing ervan. Deze handleiding moet gebruikt worden als onderdeel van een trainingsprogramma voor medewerkers zoals dat vereist wordt door CE. Het is de verantwoordelijkheid van de gebruikers en installateurs van deze apparatuur om zich ervan te verzekeren dat ze deze instructies kennen, getraind zijn in het juiste gebruik en de verzorging van de apparatuur, en dat ze zich bewust zijn van de gebruikskennmerken, toepassingsbeperkingen en de gevolgen van enig onjuist gebruik van deze apparatuur.
- 1.5 REDDINGSPLAN:** Wanneer deze apparatuur en verbindende subsystemen worden gebruikt, dient de werkgever te beschikken over een reddingsplan en de middelen binnen bereik te hebben om het reddingsplan te implementeren en te communiceren naar gebruikers, bevoegde personen<sup>5</sup> en reddingswerkers<sup>6</sup>. Het wordt aanbevolen dat een getraind reddingsteam ter plekke aanwezig is. Teamleden moeten de apparatuur en technieken aangeleverd krijgen om een succesvolle reddingsactie te verrichten. Er moet op periodieke basis training gegeven worden om ervoor te zorgen dat de kennis van de redders actueel blijft.
- 1.6 REGELMAAT VAN INSPECTIES:** Iedere gebruiker dient de verankeringsconnector voorafgaand aan gebruik te inspecteren. Eventueel kan het apparaat ook worden beoordeeld door een andere deskundige dan de gebruiker. Er mag niet meer dan een jaar tussen de inspecties liggen.<sup>7</sup> De inspectieprocedures zijn beschreven in het "Logboek voor inspectie en onderhoud". De resultaten van elke inspectie door een deskundige moeten worden genoteerd op kopieën van het "Inspectie- en onderhoudslogboek".
- 1.7 NA EEN VAL:** Als de verankeringsconnector wordt onderworpen aan valbreekkrachten, moet deze onmiddellijk buiten gebruik worden gesteld en worden vernietigd.

## 2.0 SYSTEEMVEREISTEN

- 2.1 VERANKERING:** Verankeringsvereisten variëren afhankelijk van de toepassing van de valbeveiliging. De constructie waarop de verankeringsconnector wordt geplaatst of gemonteerd, moet voldoen aan de verankeringspecificaties die in Tabel 1 staan.
- 2.2 PERSOONLIJK VALSTOPSYSTEEM:** Figuur 1 illustreert de toepassing van deze verankeringsconnector. Persoonlijke systemen voor valbescherming (PFAS) die worden gebruikt in combinatie met het systeem moeten voldoen aan de geldende normen, codes en vereisten voor valbescherming. Raadpleeg de instructie(s) bij uw lijn of zelfintrekbaar valstopapparaat voor beperkingen van de vrije val. De PFAS moet zijn voorzien van een volledig lichaamsharnas en de maximale valstopkracht (MAF) beperken tot de volgende waarden:

	ANSI/OSHA	CE
PFAS met schokdempende lijnen	4 kN (900 lb)	612 kg (6 kN)
PFAS met automatisch blokkerend valstopstelsel	4 kN (900 lb)	612 kg (6 kN)

- 2.3 VALPAD EN BLOKKEERSNELHEID VAN VALSTOPAPPARAAT:** Om positieve vergrendeling van een valstopapparaat te garanderen, is een vrij valpad nodig. Situaties waarin geen vrij valpad is, dienen vermeden te worden. Wanneer er gewerkt wordt in besloten of nauwe ruimten, is het mogelijk dat het lichaam tijdens een val niet voldoende snelheid kan bereiken om de vergrendeling van het valstopapparaat bij een val te activeren. Wanneer er gewerkt wordt op zich langzaam verplaatsende materialen, zoals zand of korrelig materiaal, wordt er wellicht onvoldoende snelheid gemaakt om de vergrendeling van het valstopapparaat te activeren.
- 2.4 GEVAREN:** Gebruik van deze apparatuur in gebieden met gevaren voor het milieu kan aanvullende voorzorgsmaatregelen vereisen om de mogelijkheid van letsel voor de gebruiker of beschadiging aan de apparatuur te voorkomen. Gevaren kunnen bestaan uit, maar zijn niet beperkt tot: hitte, bijtende chemicaliën, corrosieve omgevingen, hoogspanningsleidingen, explosieve of giftige gassen, bewegende machines, scherpe randen en bovenhoofds materiaal dat kan vallen en de gebruiker of het persoonlijke valstopstelsel kan raken.

**1 Valstopstelsel:** Een verzameling valbeveiligingsapparatuur die is geconfigureerd om een val te stoppen.

**2 Valbeperkingssysteem:** Een verzameling valbeveiligingsapparatuur die is geconfigureerd om te voorkomen dat het zwaartepunt van de persoon een valgevaar bereikt.

**3 Gekwalificeerd persoon:** Een persoon met een erkende graad of een professioneel certificaat en uitgebreide ervaring op het gebied van valbeveiliging. Deze persoon moet in staat zijn tot het ontwerpen, analyseren, evalueren en specificeren van producten op het gebied van valbeveiliging.

**4 Deskundige:** Een persoon die in staat is om bestaande en voorspelbare gevaren in de werkomgeving of -omstandigheden te identificeren die onhygiënisch, gevaarlijk of riskant zijn voor werknemers, en die bevoegd is om direct corrigerende acties te ondernemen om gevaren te elimineren.

**5 Bevoegd persoon:** Ten behoeve van de Z359-normen, een persoon die door de werkgever aangewezen is om werk uit te voeren op een locatie waar de persoon blootgesteld wordt aan een valgevaar.

**6 Redder:** Een andere persoon of andere personen dan de te redden persoon, die optreedt of optreden om een geassisteerde redding uit te voeren door middel van een reddingssysteem.

**7 Regelmaat van inspectie:** Extreme werkomstandigheden (moeilijke omgevingen, langdurig gebruik, enz.) kunnen vereisen dat de frequentie van inspecties door deskundigen wordt opgevoerd.

- 2.5 VRIJE VALRUIMTE:** Afbeelding 3 toont de onderdelen van een valstopsysteem. Er moet voldoende valspeling (Fall Clearance - FC) zijn om een val op te vangen voordat een gebruiker in aanraking komt met de grond of enig ander obstakel. Valspeling wordt beïnvloed door meerdere factoren, waaronder: verankeringslocatie, (A) Lijnlengte, (B) lijnvertragingafstand of maximale valopvangafstand van valstopapparaat, (C) harnaselasticiteit en D-ring/connectorlengte en inzakking (doorgaans een veiligheidsfactor van 1 m). Raadpleeg de instructies van uw valstopsystemen voor specifieke informatie over het berekenen van de valspeling.
- 2.6 ZWENKVALLLEN:** Zwenkvallen ontstaan wanneer het verankeringspunt niet recht boven het punt ligt waar de val optreedt (zie afbeelding 4). De kracht waarmee tegen een voorwerp wordt gestoten bij scheef vallen, kan ernstig letsel of de dood veroorzaken. Minimaliseer zwenkvallen door zo recht mogelijk onder het ankerpunt te werken. Vermijd scheef vallen als er letsel kan ontstaan. Zwenkvallen verhogen de vereiste valspeling aanzienlijk als er een zelfintrekbaar apparaat of ander verbonden subsysteem met een variabele lengte gebruikt wordt.
- 2.7 COMPATIBILITEIT VAN ONDERDELEN:** 3M-apparatuur is ontworpen voor gebruik met alleen door 3M goedgekeurde onderdelen en subsystemen. Substituties of vervangingen door niet-goedgekeurde onderdelen of subsystemen kunnen de compatibiliteit van apparatuur in gevaar brengen en kunnen de veiligheid en betrouwbaarheid van het volledige systeem beïnvloeden.

- 2.8 COMPATIBILITEIT VAN CONNECTOREN:** Connectors worden als compatibel met verbindende elementen beschouwd wanneer deze zijn ontwikkeld om op een dusdanige manier samen te werken dat de maten en vormen, ongeacht hun oriëntatie, geen onbedoeld opengaan van snappermechanismen veroorzaken. Neem contact op met 3M als u vragen hebt over compatibiliteit.

Verbindingen (haken, musketonhaken en D-ringen) moeten in staat zijn ten minste 5.000 lbs (22,2 kN) te ondersteunen. Connectors moeten compatibel zijn met de verankering of andere systeemcomponenten. Gebruik geen apparatuur die niet compatibel is. Verbindingen die niet compatibel zijn, kunnen onbedoeld losraken (zie afbeelding 5). Connectors moeten compatibel zijn qua grootte, vorm en sterkte. Als het verbindingselement waaraan de musketonhaak of karabiner bevestigd wordt, te klein of onregelmatig van vorm is, kan er een situatie optreden waarbij het verbindingselement kracht uitoefent op de opening van de musketonhaak of karabiner (A). Door deze kracht kan de opening (B) opengaan, waardoor de musketonhaak of karabiner kan losraken van het verbindingpunt (C).

Volgens ANSI Z359 en OSHA zijn zelfvergrendelende musketon- en karabijnhaken vereist.

- 2.9 VERBINDINGEN MAKEN:** Met deze apparatuur mogen alleen zelfvergrendelende musketonhaken en karabijnen gebruikt worden. Zorg ervoor dat de verbindingen qua grootte, vorm en sterkte bij elkaar passen. Gebruik geen apparatuur die niet compatibel is. Controleer of alle verbindingen volledig gesloten en vergrendeld zijn.

3M-connectors (musketonhaken en karabijnen) zijn ontworpen om alleen gebruikt te worden zoals in de gebruikersinstructies van elk product vermeld staat. Zie afbeelding 6 voor onjuiste verbindingen. Verbind musketonhaken of karabijnen niet:

- A. Met een D-ring waaraan al een andere connector is bevestigd.
- B. Op een wijze die zou resulteren in een belasting op de snapper. Musketonhaken met een grote halsopening mogen niet worden verbonden met standaardformaat D-ringen of vergelijkbare voorwerpen. Dit resulteert in een belasting van de snapper als de haak of D-ring draait, tenzij de musketonhaak voldoet en is voorzien van een snapper die geschikt is voor 3.600 lb (16 kN). Controleer de markering op uw musketonhaak en ga na of deze geschikt is voor uw toepassing.
- C. Bij een onjuiste aankoppeling, waarbij onderdelen die uitsteken buiten de nok van musketonhaak of karabiner op het anker haken en zonder visuele bevestiging volledig aangekoppeld lijken te zijn aan het verankeringspunt.
- D. Aan elkaar.
- E. Direct aan singelband of touwlijn of 'tie-back' (tenzij de instructies van de fabrikant een dergelijke verbinding voor zowel de lijn als de connector specifiek toestaan).
- F. Aan elk voorwerp dat een dusdanige vorm of een dusdanig formaat heeft dat de musketonhaak of karabiner niet kan worden gesloten en vergrendeld of waarbij uitrollen kan optreden.
- G. Op een wijze waarbij de connector onder belasting geen correcte positie kan innemen.

### 3.0 INSTALLATIE

*Voor een gecertificeerd verankeringspunt moet de structuur waaraan de verankeringsconnector is bevestigd, worden ontworpen of beoordeeld door een gekwalificeerde persoon<sup>1</sup>. Een niet-gecertificeerd verankeringspunt kan worden goedgekeurd door een deskundige<sup>2</sup> (zie tabel 1).*

- 3.1 PLANNING:** Plan het valbeschermingssysteem voorafgaand aan de installatie van het deurstijlanker. Let op alle zaken die de veiligheid van de gebruiker kunnen beïnvloeden vóór, gedurende en na een val. Neem alle eisen, beperkingen en specificaties die in sectie 2 en tabel 1 zijn gedefinieerd in beschouwing.
- 3.2. HET INSTALLEREN VAN HET DEURSTIJLANKER:** Het deurstijlanker kan worden geïnstalleerd in elke deur- of vensterstijl van een toelaatbare minimale breedte en maximale breedte die voldoet aan de gespecificeerde verankeringsvereisten (zie tabel 1). Afbeelding 7 geeft de installatie van het deurstijlanker weer. Hoe installeert men het deurstijlanker:
1. Stel het deurstijlanker zo af dat dit past in de gewenste opening, door de grove afstelpen te verwijderen en de instelbare poot naar de D-ring te verschuiven. Draai de fijne afstelknop tegen de klok in totdat de voet goed tegen de steunbuis aan zit.
  2. Plaats het deurstijlanker in de deur- of vensteropening met de D-ring gericht naar het gebied waar het werk wordt uitgevoerd. De instelbare poot kan zich of aan de linker- of aan de rechterzijde van de opening bevinden. Het deurstijlanker moet op de onderzijde van de venster- of deuropening rusten. Probeer het deurstijlanker niet in een positie te installeren waar dit niet door de vloer of door een raamkozijn wordt ondersteund.
  3. Schuif de instelbare poot zo dicht mogelijk tegen de deur- of vensterstijl aan en zet de grove afstelpen in de dichtstbijzijnde set afstelgaten. Bevestig het anker goed in de deuropening of het venster door de fijne afstelknop vast te draaien. Het deurstijlanker moet stevig en veilig zijn na installatie.

### 4.0 GEBRUIK

- 4.1 VOORAFGAAND AAN ELK GEBRUIK:** Zorg ervoor dat uw werkgebied en persoonlijk systeem voor valbescherming (PFAS) voldoen aan alle criteria die zijn gedefinieerd in sectie 2 en dat er een formeel reddingsplan aanwezig is. Inspecteer het deurstijlanker volgens de 'Gebruikers'-inspectiepunten zoals gedefinieerd in het "Logboek voor inspectie en onderhoud" (Tabel 2). Gebruik het systeem niet indien inspectie een onveilige of defecte conditie aan het licht brengt. Stel het systeem buiten gebruik en vernietig het, of neem contact op met 3M aangaande de vervanging of reparatie van het systeem.
- 4.2 VALSTOPVERBINDINGEN:** Het deurstijlanker wordt gebruikt met een volledig lichaamsharnas en energieabsorberende lijn of automatisch blokkerende reddingslijn (SRD). Afbeelding 8 geeft de verbinding van de lijn (A) of automatisch blokkerende reddingslijn (SRD) (B) weer tussen het harnas en het deurstijlanker. Verbind de lijn of SRD tussen de D-ring op het deurstijlanker en de achterste dorsale D-ring aan het harnas zoals geïnstreueerd in de instructies die zijn bijgesloten bij de reddingslijn of SRD.

**Veilig werkgebied:** Afbeelding 8 illustreert het veilige werkgebied voor het deurstijlanker. Werk nooit onder een horizontale hoek van meer dan 30° vanaf de loodlijn ten opzichte van de voorzijde van het deurstijlanker, om onjuiste belasting van het verankeringsaansluitpunt te voorkomen (zie afbeelding 2). Werk nooit op een positie boven of onder de bevestigingspunten van de verankerings die de vereisten ten aanzien van verticale belasting in afbeelding 2 overschrijdt.

### 5.0 INSPECTIE

- 5.1 INSPECTIEFREQUENTIE:** Het deurstijlanker moet worden geïnspecteerd bij intervallen die zijn gedefinieerd in sectie 1. De inspectieprocedures zijn beschreven in het "Logboek voor inspectie en onderhoud" (tabel 2). Inspecteer alle overige onderdelen van het valbeschermingssysteem volgens de frequenties en procedures zoals beschreven in de betreffende instructies van de fabrikant.

**RFID-label:** Deurstijlankers zijn voorzien van een Radio Frequentie Identificatie (RFID) Tag. De RFID-tag kan worden gebruikt samen met de in de hand gehouden draagbare lezer, om de inspectie en voorraadcontrole te vereenvoudigen. Ook wordt er een dossier aangelegd over uw valbeveiligingsuitrusting.

- 5.2 DEFECTEN:** Wanneer bij inspectie een onveilige of gebrekkige staat aan het licht wordt gebracht, moet u het deurstijlanker onmiddellijk buiten gebruik stellen en contact opnemen met 3M om mogelijkheden voor vervanging of reparatie te bespreken. Probeer het valstopstelsel niet te repareren.

**Het systeem mag alleen door een geautoriseerd persoon gerepareerd worden:** Alleen 3M of partners die hiervoor schriftelijk zijn geautoriseerd, mogen deze apparatuur repareren.

- 5.3 LEVENSDUUR PRODUCT:** De functionele levensduur van het valstopstelsel wordt bepaald door werkomstandigheden en onderhoud. Zolang het product bij inspectie aan de criteria voldoet, kan het in gebruik blijven.

### 6.0 ONDERHOUD, BEHANDELING EN OPSLAG


- 6.1 SCHOONMAKEN:** Reinig periodiek de metalen onderdelen van het deurstijlanker met een zachte borstel, warm water en een milde zeepoplossing. Zorg ervoor dat de onderdelen grondig worden gespoeld met schoon water.

- 1 **Gekwalificeerd persoon:** Een persoon met een erkende graad of een professioneel certificaat en uitgebreide ervaring op het gebied van valbeveiliging. Deze persoon moet in staat zijn tot het ontwerpen, analyseren, evalueren en specificeren van producten op het gebied van valbeveiliging.
- 2 **Deskundige:** Een persoon die in staat is om bestaande en voorspelbare gevaren in de werkomgeving of -omstandigheden te identificeren die onhygiënisch, gevaarlijk of riskant zijn voor werknemers, en die bevoegd is om direct corrigerende acties te ondernemen om gevaren te elimineren.

- 6.2 SERVICE:** Alleen 3M of partners die hiervoor schriftelijk door 3M zijn geautoriseerd, mogen deze apparatuur repareren. Indien het deurstijlanker onderhevig is geweest aan valkracht of indien inspectie onveilige of gebrekkige omstandigheden aan het licht brengt, moet u het systeem buiten gebruik stellen en contact opnemen met 3M voor vervanging of reparatie.
- 6.3 OPSLAG EN TRANSPORT:** Wanneer ze niet worden gebruikt, dient u het deurstijlanker en bijbehorende valbeschermingsapparatuur op te slaan en te vervoeren in een koele, droge, schone omgeving en buiten bereik van direct zonlicht. Vermijd plekken waar chemische dampen kunnen voorkomen. Inspecteer de componenten grondig na een langdurige opslag.

## 7.0 LABELS

Afbeelding 9 illustreert de labels op het deurstijlanker. Labels moeten worden vervangen wanneer ze niet volledig leesbaar zijn. Elk label bevat de volgende informatie:

	Lees alle instructies.
①	<p><b>SPECIFICATIES:</b> Capaciteit: 1 persoon, ANSI 310 lbs (140 kg) max., OSHA 420 lbs (190 kg) max.          Maximale valstopkracht 1.800 lbs (4 kN)          Materialen: Aluminium verankering; D-ring van verzinkt gelegerd staal          Normen: Voldoet aan ANSI Z359.18 Type A en OSHA 1926.502 &amp; 1910.140          Minimale breeksterkte: 5.000 lbs (22kN) MBS          ANSI Minimale gebruikstemperatuur -40 °F (-40 °C)</p>
②	<p><b>GEBRUIK:</b> Zie de gebruikershandleiding voor details over het maken van verbindingen. Zorg dat de reddingslijn tijdens het gebruik niet tegen scherpe randen aan schuurt. Wees voorzichtig wanneer u dit apparaat in de buurt van gevaarlijke thermische, elektrische of chemische bronnen gebruikt. Zie de Gebruikershandleiding voor meer informatie.</p>
③	<p><b>INSPECTIE:</b> Inspecteer de verankering voorafgaand aan elk gebruik. De verankering dient ten minste iedere maand door een deskundige te worden geïnspecteerd overeenkomstig de gebruikershandleiding. Gebruik het systeem niet als inspectie een onveilige of defecte staat aan het licht brengt. Kan niet door gebruikers gerepareerd worden.</p> <p>Dit product is geschikt voor gebruik met RFID en bevat een elektronisch label dat gelezen kan worden met behulp van een compatibel leessysteem. Dit geeft u informatie over inspectie en andere veiligheidsinformatie.</p>
④	<p><b>TOELAATBARE BELASTINGRICHTINGEN:</b> Werk nooit onder een horizontale hoek van meer dan 30° vanaf de loodlijn ten opzichte van de voorzijde van het deurstijlanker, om onjuiste belasting van het verankeringsaansluitpunt te voorkomen. Werk nooit op een positie boven of onder de bevestigingspunten van de verankeringen die de verticale belastingvereisten overschrijdt.</p>
⑤	<p>Dit deur-/vensterstijlanker moet aan de onderzijde van de venster- of deuropening worden geïnstalleerd en op het kozijn steunen. Als het anker niet op de dorpel rust, kan het draaien. Wanneer het wordt belast, kan het anker uit het raam of de deuropening komen. Wanneer u deze waarschuwing niet in acht neemt, kan dit leiden tot ernstige verwonding of de dood.</p>
⑥	CE-norm en ID aangemelde instantie
⑦	Jaar/maand productie en Lotnummer
⑧	Voorafgaand aan gebruik dienen de instructies van de fabrikant te worden gelezen en begrepen. De instructies die ten tijde van verzending bij dit product geleverd zijn, moeten gevolgd worden voor juist gebruik, onderhoud en inspectie. Veranderingen of verkeerd gebruik van dit product, of het niet opvolgen van de instructies kunnen ernstig letsel en zelfs de dood tot gevolg hebben. Breng alleen compatibele verbindingen aan. Zie de gebruikershandleiding.
⑨	Modelnummer product
⑩	Locatie fabrikant
⑪	Maximaal één persoon
⑫	Bereik gebruikstemperatuur: -40 °C tot +60 °C
⑬	Inspectielogboek: Datum, initialen



**Tabel 2 – Inspectie- en onderhoudslogboek**

<b>Inspectiedatum:</b>		<b>Geïnspecteerd door:</b>	
<b>Componenten:</b>	<b>Inspectie:</b> (Zie sectie 1 voor <i>inspectiefrequentie</i> )	<b>Gebruiker</b>	<b>Deskundige<sup>1</sup></b>
Deurstijlanker (Figuur 2)	Inspecteer het deurstijlanker op beschadigingen: Let op scheuren en breuken, deuken, of vervormingen. Let op verbogen of versleten steunbuizen, D-ring, en afstelmechanismen. Verzeker u ervan dat er geen gebroken of missende delen zijn.	<input type="checkbox"/>	<input type="checkbox"/>
	Inspecteer de afstelmechanismen. De grove instelpen moet vergrendelen wanneer deze door een van de afstelgaten heen wordt gestoken.	<input type="checkbox"/>	<input type="checkbox"/>
	Inspecteer het gehele apparaat op excessieve corrosie. Inspecteer het draaimoment op de fijne afstelschroef en haal deze indien nodig aan.	<input type="checkbox"/>	<input type="checkbox"/>
Labels (Figuur 10)	Controleer of alle labels stevig zijn bevestigd en goed leesbaar zijn (zie ' <i>Labels</i> ').	<input type="checkbox"/>	<input type="checkbox"/>
Verankeringsstructuur	Inspecteer het deurkozijn, het raam en/of de constructie om te controleren of deze alle belastingen aankan en voldoet aan de sterktevereisten van Tabel 1.	<input type="checkbox"/>	<input type="checkbox"/>
PFAS en andere apparatuur	Andere apparatuur voor persoonlijke systemen voor valbescherming (PFAS) (harnas, SRL enz.) die gebruikt wordt met het Flexiguard-verankeringsstelsel moet volgens de instructies van de fabrikant worden geïnstalleerd en geïnspecteerd.	<input type="checkbox"/>	<input type="checkbox"/>
<b>Serienummer(s):</b>		<b>Aankoopdatum:</b>	
<b>Modelnummer:</b>		<b>Datum van eerste gebruik:</b>	
<b>Oplossing/Onderhoud:</b>		Goedgekeurd door:	
		Datum:	
<b>Oplossing/Onderhoud:</b>		Goedgekeurd door:	
		Datum:	
<b>Oplossing/Onderhoud:</b>		Goedgekeurd door:	
		Datum:	
<b>Oplossing/Onderhoud:</b>		Goedgekeurd door:	
		Datum:	
<b>Oplossing/Onderhoud:</b>		Goedgekeurd door:	
		Datum:	
<b>Oplossing/Onderhoud:</b>		Goedgekeurd door:	
		Datum:	
<b>Oplossing/Onderhoud:</b>		Goedgekeurd door:	
		Datum:	
<b>Oplossing/Onderhoud:</b>		Goedgekeurd door:	
		Datum:	
<b>Oplossing/Onderhoud:</b>		Goedgekeurd door:	
		Datum:	
<b>Oplossing/Onderhoud:</b>		Goedgekeurd door:	
		Datum:	
<b>Oplossing/Onderhoud:</b>		Goedgekeurd door:	
		Datum:	

<sup>1</sup> **Deskundige:** Een persoon die in staat is om bestaande en voorspelbare gevaren in de werkomgeving of -omstandigheden te identificeren die onhygiënisch, gevaarlijk of riskant zijn voor werknemers, en die bevoegd is om direct corrigerende acties te ondernemen om gevaren te elimineren.

## SIKKERHETSINFORMASJON

Les, forstå og følg all sikkerhetsinformasjon i disse instruksjonene før du tar dette ankringskoblingspunktet i bruk. **UNNLATELSE AV Å GJØRE DETTE KAN FØRE TIL ALVORLIG SKADE ELLER DØD.**

Disse instruksjonene må gis til brukeren av utstyret. Ta vare på disse instruksjonene for fremtidig referanse.

### Tilsiktet bruk:

Dette ankringskoblingspunktet er beregnet for bruk som del av et komplett personlig fallsikringssystem.

Bruk i en hvilken som helst annen sammenheng inkludert, men ikke begrenset til, materialhåndtering, fritidsbruk eller idrettsrelaterte aktiviteter, eller andre aktiviteter som ikke beskrives i Brukerinstruksjonene, er ikke godkjent av 3M og kan resultere i alvorlig personskade eller død.

Denne innretningen skal bare brukes av opplærte brukere i arbeidsplassanvendelser.

## ADVARSEL

Dette ankringskoblingspunktet er del av et personlig fallsikringssystem. Det forventes at alle brukere er fullt opplært i sikker installering og betjening av deres personlige fallsikringssystem. **Misbruk av denne innretningen kan resultere i alvorlig personskade eller død.** For riktig utvalgelse, betjening, installering, vedlikehold og service, se disse bruksanvisningene, inkludert alle produsentens anbefalinger, snakk med din arbeidsleder, eller kontakt 3M Tekniske tjenester.

- **For å redusere risikoen som er forbundet med å arbeide med et ankringskoblingspunkt som, om det ikke unngås, kan resultere i alvorlig personskade eller død:**
  - Inspiser innretningen før hver bruk, minst én gang årlig, og etter enhver fallhendelse. Inspiser i samsvar med bruksanvisningene.
  - Hvis inspeksjonen avdekker en utrygg eller defekt tilstand, må enheten tas ut av tjeneste og du må ta kontakt med et autorisert servicesenter for å få den reparert.
  - Enhver innretning som er blitt belastet som følge av fall eller støtkrefter, må umiddelbart tas ut av bruk og destrueres.
  - Innretningen må bare installeres i de spesifiserte underlag eller på strukturer som er angitt i brukerinstruksjonene. Installeringer og bruk utenfor rammen av instruksjonene må godkjennes av 3M Fallsikring.
  - Underlaget eller strukturen forankringskoblingen er festet til må være i stand til å motstå de statiske belastningene som spesifiseres for ankeret i orienteringene som er tillatt i Brukerinstruksjonene.
  - Fallsikringsundersystemene må bare kobles til det angitte ankringskoblingspunkt på innretningen.
  - Før boring eller fastgjøring, se til at ingen elektriske ledninger, gassledninger eller andre kritiske innebygde systemer vil komme i kontakt med boret eller innretningen.
  - Sørg for at fallsikringssystemer/undersystemer som er satt sammen av komponenter fremstilt av forskjellige produsenter er kompatible og oppfyller kravene i gjeldende standarder, inkludert ANSI Z359 eller andre gjeldende fallsikringsnormer, standarder eller krav. Rådfør deg alltid med en kompetent eller kvalifisert person før du bruker disse systemene.
  - løsnedapter-innretningen
- **For å redusere risikoen som er forbundet med arbeid i høyden, som om det ikke unngås, kan resultere i alvorlig personskade eller død:**
  - Sørg for at din helse og fysiske tilstand gjør det mulig for deg sikkert å motstå alle de krefter som er forbundet med arbeid i høyden. Rådfør deg med legen din hvis du har noen spørsmål angående din evne til å bruke dette utstyret.
  - Du må aldri overskride tillatt kapasitet for ditt fallsikringsutstyr.
  - Du må aldri overskride maksimal frifallavstand for ditt fallsikringsutstyr.
  - Ikke bruk noe fallsikringsutstyr som ikke består inspeksjoner før bruk eller andre planmessige inspeksjoner, eller dersom du har bekymringer om bruken, eller om hvor egnet utstyret kan være for ditt bruksområde. Kontakt 3M Tekniske tjenester med eventuelle spørsmål.
  - Noen delsystemer og delekombinasjoner kan hindre bruken av dette utstyret. Bruk kun kompatible koblinger. Kontakt 3M dersom dette utstyret blir brukt sammen med andre komponenter eller delsystemer enn de som beskrives i brukerinstruksjonene.
  - Utvis ekstra forsiktighet når du arbeider rundt bevegelig maskineri (f.eks. rotasjonssystemet for oljerigger), elektriske farer, ekstreme temperaturer, kjemiske farer, eksplosive eller giftige gasser, skarpe kanter, eller nedenfor overhengende materialer som kan falle ned på deg eller ditt fallsikringsutstyr.
  - Bruk lysbueflamme eller Hot Works-innretninger når du arbeider i miljøer med høy varme.
  - Unngå overflater og gjenstander som kan skade brukeren eller utstyret.
  - Sørg for at det er tilstrekkelig fallklaring når du arbeider i høyden.
  - Du må aldri modifisere eller endre på ditt fallsikringsutstyr. Bare 3M eller virksomheter med skriftlig godkjenning kan reparere dette utstyret.
  - Før bruk av fallsikringsutstyr, pass på at det finnes en redningsplan som muliggjør rask redning hvis et falluhell skulle inntreffe.
  - Hvis et falluhell inntreffer, søk umiddelbart medisinsk hjelp for den arbeideren som har falt.
  - Ikke bruk støttebelter til fallstoppbruk. Bruk kun en helkroppssele.
  - Minimer svingfall ved å arbeide så rett under forankringspunktet som mulig.
  - Hvis du trener med denne innretningen, må et sekundært fallsikringssystem benyttes på en slik måte at det ikke eksponerer lærlingen for en utilsiktet fallfare.
  - Ha alltid på hensiktsmessig personlig verneutstyr når du installerer, bruker eller inspiserer innretningen/systemet.

Skriv ned produktidentifikasjonen fra ID-merket i inspeksjons- og vedlikeholdsloggen (tabell 2) på baksiden av denne veiledningen før installasjon og bruk av utstyret.

### PRODUKTBEKRIVELSE:

Figur 1 viser 3M™ DBI-SALA™-dørstolpeanker. Dørstolpeankeret er en enkeltpunkts forankringskobling som installeres i en dør eller vindusåpning.

Figur 2 viser komponentene til dørstolpeankeret. Se tabell 1 for spesifikasjoner. Dørstolpeankeret består av et støtterør (A) med et fast ben (B) og et justerbart ben (C) som glir langs støtterøret for å passe inn i dør- eller vindusåpningen. Det justerbare benet har stift hull og en stift (D) for grovjustering. Når det justerbare benet er festet med stiften, strammes en justeringsknapp med en skrue (E) for å feste dørstolpeankeret i dør-/vindusåpningen. En D-ring (F) på støtterøret fungerer som koblingspunktet for en line eller som en selvinttrekkende enhet.

**Tabell 1 – Spesifikasjoner**

Systemspesifikasjoner:			
<b>Kapasitet:</b>	<b>ANSI/CE:</b> 1 person med total vekt (klær, verktøy osv.) på maksimalt 140 kg (310 lbs). <b>OSHA:</b> 1 person med total vekt (klær, verktøy osv.) på maksimalt 190 kg (420 lbs).		
<b>Forankringsstyrke:</b>	<b>ANSI/OSHA</b>	<b>Fallsikring:</b> Strukturen som forankringskoblingen er festet til må tåle å stoppe belastninger påført i retningen tillatt av fallsikringssystemet på minst: 16 kN (3600 lbs) med sertifisering av en kvalifisert person <sup>2</sup> eller 22 kN (5000 lbs) uten sertifisering. Når mer enn ett personlig fallsikringssystem (PFAS) er festet til et forankringspunkt, må de statiske belastningene angitt ovenfor ganges med antall fallsikringssystemer som er festet til forankringspunktet.	
		<input checked="" type="checkbox"/> <b>OSHA 1926.500 og OSHA 1910.66:</b> Forankringer som brukes til feste av personlige fallsikringssystemer (PFAS) skal være uavhengig av forankringer som brukes til å støtte eller henge opp plattformer, og være i stand til å støtte minst 22 kN (5000 lbs) per bruker som er festet til det, eller designet, installert og brukt som en del av et fullstendig personlig fallsikringssystem som opprettholder en sikkerhetsfaktor på minst 2 og er under tilsyn av en kvalifisert person <sup>2</sup> .	
	<b>CE EN795</b>	<b>Fallsikring:</b> Strukturen som forankringskoblingen festes til, må kunne tåle statiske belastninger, i retningene som er tillatt av fallsikringssystemet, på minst 13 kN (3000 lbs). Når mer enn ett fallsikringssystem er festet til et forankringspunkt, skal den statiske lasten angitt ovenfor ganges med antall fallsikringssystemer som er festet til forankringspunktet.	
		<b>Forankringsstruktur:</b> Strukturen som forankringskoblingen monteres på må kunne tåle en kraft i de(n) forventede belastningsretning(e). Hvert av forankringspunktets festepunkter må kunne tåle en belastning på 12 kN (2698 lbs).	
<b>Brukstemperatur:</b>	-40 °C (-40 °F)		
<b>Forankringskoblingens bruddstyrke:</b>	Minimum bruddstyrke 22 kN (5000 lbs.)		
<b>Bredde på dør-/vindusstolpe:</b>	Se figur 1: Minimum bredde: 21,5 in. (54,6 cm), maksimal bredde: 51,0 in. (129,5 cm)		
<b>Produktdimensjoner:</b>	Se figur 1		
<b>Produktvekt:</b>	6,3 kg (14,0 lbs.)		
Komponentspesifikasjoner:			
Figur 2 Referanse	Komponent	Materialer	Merknader
Ⓐ	Støtterør	Aluminium	
Ⓑ	Fastmontert ben	Rør – aluminium Ben – stål Pute – gummi	
Ⓒ	Justerbart ben	Aluminium	
Ⓓ	Grovjusteringsstift	Stål	
Ⓔ	Finjusteringsknapp	Knapp – stål Skrue – stål Ben – stål Pute – gummi	
Ⓕ	D-ring	Stållegering	Strekstyrke – 22,2 kN (5000 lbs)

**1 Kvalifisert person:** En person med anerkjent grad eller fagsertifikat, og utstrakt erfaring med fallsikring. Denne personen må kunne designe, analysere, evaluere og gi spesifikasjoner om fallsikring.

## 1.0 PRODUKTETS BRUKSOMRÅDE

- 1.1 FORMÅL:** Forankringstilkoblinger er designet for å gi forankringstilkoblingspunkter for fallsikringssystem<sup>1</sup> eller fallbegrensnings<sup>2</sup>systemer: Begrensning, arbeidsposisjonering, ridning, redning osv.

**Kun fallbeskyttelse:** Forankringstilkoblingen er for tilkobling av fallbeskyttelsesutstyr. Ikke koble løfteutstyr til denne forankringstilkoblingen.

- 1.2 STANDARDER:** Forankringstilkoblingen oppfyller kravene til nasjonale standarder som oppgis på omslaget til denne brukerveiledningen. Hvis dette produktet selges utenfor det opprinnelige destinasjonslandet, må forhandleren stille disse instruksjonene til rådighet på språket i det aktuelle landet der produktet vil bli brukt.
- 1.3 OVERVÅKING:** Installasjon av dette utstyret må skje under tilsyn av en kvalifisert person<sup>3</sup>. Bruk av dette utstyret må skje under tilsyn av en kompetent person<sup>4</sup>.
- 1.4 OPPLÆRING:** Dette utstyret er beregnet på å skulle monteres og brukes av personer som har fått opplæring i dets riktige bruksområder. Denne håndboken skal brukes som en del av en ansatts opplæringsprogram som det kreves av CE. Brukeren og montørene av dette utstyret har ansvar for å gjøre seg kjent med disse anvisningene, få opplæring i riktig pleie og bruk av dette utstyret, og er klar over bruksegenskaper, bruksbegrensninger og følgene av uriktig bruk av dette utstyret.
- 1.5 REDNINGSPLAN:** Når dette utstyret brukes og undersystemer kobles sammen, må arbeidsgiveren ha en redningsplan og redningsutstyr tilgjengelig, og denne må kommuniseres til brukere, autoriserte personer<sup>5</sup> og redningsmannskaper<sup>6</sup>. Et opplært redningsteam på stedet anbefales. Teammedlemmer skal forsynes med utstyr og teknikker til å utføre en vellykket redning. Det bør gis regelmessig opplæring for å sikre at redningspersonens kunnskaper opprettholdes.
- 1.6 INSPEKSJONSINTERVALLER:** Forankringstilkoblingen skal kontrolleres av brukeren før enhver bruk, i tillegg til en annen kompetent person annen enn brukeren, i intervaller på ikke lenger enn ett år.<sup>7</sup> Prosedyrene for inspeksjon beskrives i «Inspeksjons- og vedlikeholdslogg». Resultatene fra hver inspeksjon utført av kompetent person bør registreres i kopier av «Inspeksjons- og vedlikeholdslogg».
- 1.7 ETTER ET FALL:** Hvis forankringstilkoblingen utsettes for krefter fra en fallhindring, skal den tas ut av bruk umiddelbart og ødelegges.

## 2.0 SYSTEMKRAV

- 2.1 FORANKRING:** Forankringskravene varierer med fallbeskyttelsesbruksområdet. Konstruksjonen der forankringstilkoblingen er plassert eller montert skal oppfylle forankringsspesifikasjonene angitt i tabell 1.
- 2.2 PERSONLIG FALLSIKRINGSSYSTEM:** Figur 1 illustrerer bruken av denne forankringstilkoblingen. Personlige fallsikringssystemer (PFAS) som brukes med systemet, skal oppfylle gjeldende fallbeskyttelsesstandarder, koder og krav. Se instruksjonen(e) som følger med livlinen eller SRD-en for begrensninger på fritt fall. Det personlige fallsikringssystemet skal inkludere en hel kroppssele og begrense maksimal bremsekraft til følgende verdier:

	ANSI/OSHA	CE
PFAS med støtdempende livline	4 kN (900 lb)	6 kN (1350 lbs)
PFAS med selvinntrekkende enhet	4 kN (900 lb)	6 kN (1350 lbs)

- 2.3 FALLBANE OG SRD-LÅSEHASTIGHET:** For at SRD-en skal låses sikkert, trengs det en fri bane for fallet. Unngå situasjoner som gjør det umulig å ha en hindringsfri fallbane. Arbeid på svært snevre eller trange områder kan føre til at kroppen ikke oppnår tilstrekkelig hastighet til å få SRD-en til å låse seg hvis et fall skulle inntreffe. Arbeid på materialer som flytter seg sakte, for eksempel sand eller grus, kan føre til at hastigheten ikke bygger seg opp raskt nok til at SRD-en låser seg.
- 2.4 FARER:** Bruk av dette utstyret i risikable arbeidsmiljøer kan kreve at det benyttes tilleggssikring for å unngå skade på bruker eller utstyr. Farer kan inkludere, men er ikke begrenset til: varme, kaustiske kjemikalier, etsende omgivelser, høyspenningslinjer, eksplosive eller giftige gasser, maskineri i bevegelse, skarpe kanter eller materialer i høyden som kan falle ned på brukeren eller fallsikringssystemet.
- 2.5 FALLKLARING:** Figur 3 viser komponentene i en fallsikring. Det må være tilstrekkelig klaring under brukeren til å stanse et fall før brukeren treffer bakken eller en annen hindring. Klaringen påvirkes av flere faktorer, inkludert: Forankringssted, (A) linelengde, (B) linens bremselengde eller maksimal bremseavstand for SRD, (C) selestrekking og D-ring/koblingslengde og synking (vanligvis en sikkerhetsfaktor på 1 m). Se instruksjonene som følger med fallsikringens undersystem for detaljer om fallklaringsberegning.
- 2.6 SVINGFALL:** Svingfall oppstår når forankringspunktet ikke er rett over stedet der fallet finner sted (se figur 4). Kraften som oppstår hvis man støter mot en gjenstand, kan medføre alvorlig skade eller død. Minimer svingfall ved å arbeide så rett under forankringspunktet som mulig. Ikke gjør svingfall mulig hvis skade kan oppstå. Svingfall øker vesentlig klaringen som kreves når en automatisk tilbaketrekkelig enhet eller et annet tilkoblings-delsystem med variabel lengde brukes.

**1 Fallsikringssystem:** En samling av fallbeskyttelsesutstyr konfigurert til å holde tilbake et fritt fall.

**2 Fallbegrensningsystemer:** En samling av fallbeskyttelsesutstyr som er konfigurert for å hindre at personens tyngdepunkt når en fallfare.

**3 Kvalifisert person:** En person med anerkjent grad eller fagsertifikat, og utstrakt erfaring med fallsikring. Denne personen må kunne designe, analysere, evaluere og gi spesifikasjoner om fallsikring.

**4 Kvalifisert person:** En som er i stand til å identifisere eksisterende og mulige farer i omgivelsene eller arbeidsforhold som er uhygieniske, risikable eller farlige for ansatte, og som har autoritet til å utbedre eller eliminere dem.

**5 Autorisert person:** For formålene med Z359-standardene, en person som er utnevnt av arbeidsgiver til å utføre oppgaver på stedet hvor personen vil være utsatt for fallrisiko.

**6 Bergingsarbeider:** En annen person eller andre personer enn den bergede som utfører en assistert bergingsoperasjon ved bruk av et bergingssystem.

**7 Inspeksjonsintervaller:** Ekstreme arbeidsforhold (vanskelige omgivelser, langvarig bruk osv.) kan gjøre det nødvendig med hyppigere inspeksjoner utført av en kompetent person.

**2.7 KOMPONENTKOMPATIBILITET:** Utstyr fra 3M er kun laget for bruk sammen med komponenter og delsystemer fra 3M. Utskifting eller erstatning med ikke-godkjente komponenter og delsystemer kan påvirke utstyrets kompatibilitet, som kan gå ut over sikkerheten og påliteligheten til hele systemet.

**2.8 KOBLINGSKOMPATIBILITET:** Koblinger anses å være kompatible med koblingselementene når de er konstruert for å virke sammen på en slik måte at størrelse og form ikke får lukkemekanismene til å åpnes utilsiktet, uansett hvordan de posisjoneres. Kontakt 3M hvis du har spørsmål om kompatibilitet.

Koblinger (kroker, karabinkroker og D-ringer) må ha en kapasitet på minst 22,2 kN (5000 lbs) . Koblingene må være kompatible med forankringen og andre systemkomponenter. Ikke bruk utstyr som ikke er kompatibelt. Ikke-kompatible koblinger kan løsne utilsiktet (se figur 5). Påse at koblingene er kompatible når det gjelder størrelse, form og styrke. Hvis koblingselementet, som en sikkerhetskrok eller karabinkrok er festet til, er for lite eller har en ujevn form, kan det oppstå en situasjon der koblingselementet overfører kraft på krokens feste (A). Denne kraften kan gjøre at festet åpnes (B), og dermed kan sikkerhetskroken eller karabinkroken løsne fra tilkoblingspunktet (C).

Selvlåsende snepkroker og karabinkroker kreves av ANSI Z359 og OSHA.

**2.9 LAGE KOBLINGER:** Sikkerhetskrokene og karabinkrokene som brukes med dette utstyret, må være selvlåsende. Påse at koblingene er kompatible i forhold til størrelse, form og styrke. Ikke bruk utstyr som ikke er kompatibelt. Påse at alle koblinger er fullstendig lukket og låst.

3M-koblinger (kroker og karabinkroker) er kun beregnet til bruk slik det er spesifisert i produktets brukerveiledning. Se Figur 6 for eksempler på feilaktige koblinger. Ikke fest låsekroker og karabinkroker

- A. D-ring hvor det er festet en annen kobling.
- B. På en måte som vil føre til belastning på porten. Sikkerhetskroker med stor halskrok skal ikke kobles til D-ringer av standard størrelse eller liknende gjenstander, da dette vil resultere i belastning på krokens feste dersom kroken eller D-ringen vrir seg eller roterer, med mindre snepkroken er utstyrt med et 16 kN feste (3600 lbs) Sjekk merking på din sikkerhetskrok for å bekrefte at den er egnet til ditt bruksområde.
- C. I et falskt feste, hvor elementer som stikker ut fra låsekroken eller karabinkroken tar tak i ankeret, og hvor manglende visuell bekreftelse gjør at det virker som om kroken er korrekt festet i forankringspunktet.
- D. Til hverandre.
- E. Direkte til stropper eller livliner, eller tilbakekobling av tau (med mindre produsentens veiledning for både livlinen og koblingen spesifikt tillater dette).
- F. Til et objekt som er formet eller dimensjonert slik at låsekroken eller karabinkroken ikke vil lukke og låse seg, eller hvor utrulling kan forekomme.
- G. På en måte som gjør at koblingen ikke er korrekt innrettet under belastning.

### 3.0 MONTERING

For et sertifisert ankerpunkt må strukturen som forankringskoblingen er festet til designes eller evalueres av en kvalifisert person<sup>1</sup>. Et ankerpunkt som ikke er sertifisert kan godkjennes av en kvalifisert person<sup>2</sup> (se tabell 1).

**3.1 PLANLEGGING:** Planlegg fallsikringssystemet før montering av dørstolpeankeret. Vurder faktorer som kan påvirke brukersikkerheten før, under og etter et fall. Ta hensyn til alle krav, begrensninger og spesifikasjoner som defineres i del 2 og tabell 1.

**3.2 INSTALLERING AV DET DØRSTOLPEANKERET:** Dørstolpeankeret kan installeres i alle dør- eller vindusstolper som har en tillatt minimums- og maksimumsbredde som oppfyller de angitte forankringsbehovene (se tabell 1). Figur 7 viser installasjonen av dørstolpeankeret. Slik installeres dørstolpeankeret:

1. Juster dørstolpeankeret slik at det passer inn i ønsket åpning ved å fjerne grovjusteringsstiften og skyve det justerbare benet mot D-ringen. Vri finjusteringsknappen mot klokken til foten sitter stramt på støtterøret.
2. Sett dørstolpeankeret i dør- eller vindusåpningen med D-ringen vendt mot det området hvor arbeidet skal utføres. Det justerbare benet kan plasseres på enten venstre eller høyre side av åpningen. Dørstolpeankeret må hvile i bunnen av vindus- eller døråpningen. Det må ikke installeres i en stilling hvor det ikke støttes av gulvet eller vinduskarmen.
3. Skyv det justerbare benet så nær dør- eller vindusstolpen som mulig og sett grovjusteringsstiften inn i nærmeste sett med justeringshull. Fest ankeret så stramt som mulig i døråpningen eller vinduet ved bruk av finjusteringsknappen. Dørstolpeankeret må være solid og sikkert etter installasjon.

### 4.0 BRUK

**4.1 FØR HVER BRUK:** Verifiser at arbeidsområdet og det personlige fallsikringssystemet (PFAS) oppfyller alle kriteriene som er definert i del 2 og at det finnes en formell redningsplan. Inspiser dørstolpeankeret i henhold til inspeksjonspunktene under «Bruker» i *Inspeksjons- og vedlikeholdslogg* (tabell 2). Hvis kontrollen avdekker en utrygg eller defekt tilstand, skal ikke systemet brukes. Ta systemet ut av drift og kontakt 3M Fallsikring vedrørende utskiftning eller reparasjon.

**4.2 FALLSIKRINGSKOBLINGER:** Dørstolpeankeret brukes med hel kroppssele og energiabsorberende livline eller en selvinntrekkende enhet (SRD). Figur 8 viser tilkobling av livlinen (A) eller SRD-en (B) mellom selen og dørstolpeankeret. Koble livlinen eller SRD-en mellom D-ringen på dørstolpeankeret og den bakre D-ringen på selen som beskrevet i instruksjonene som følger med livlinen eller SRD-en.

**Sikkert arbeidsområde:** Figur 8 viser det sikre arbeidsområdet til dørstolpeankeret. Arbeidet må aldri utføres i en horisontal vinkel som er større enn 30° vinkelrett på dørstolpeankerets forside for å unngå feil belastning av forankringspunktet (se figur 2). Arbeidet må aldri utføres i en posisjon over eller under forankringspunktene som overstiger kravene for vertikal belastning som er vist i figur 2.

### 5.0 INSPEKSJON

**5.1 INSPEKSJONSINTERVALLER:** Dørstolpeankeret må kontrolleres ved de intervallene som er definert i del 1. Prosedyrene for inspeksjon beskrives i *inspeksjons- og vedlikeholdslogg* (tabell 2). Kontroller alle andre komponenter i fallbeskyttelsessystemet i henhold til intervaller og prosedyrer angitt i produsentens instruksjoner.

**RFID-merke:** Dørstolpeankere er utstyrt med et radiofrekvensidentifiseringsmerke (RFID-merke). RFID-merket kan brukes sammen med den håndholdte avleseren for å forenkle inspeksjon og lagerstyring og for å gjøre registreringer for fallbeskyttelsesutstyret.

**5.2 DEFEKTER:** Hvis inspeksjonen avdekker en utrygg eller defekt tilstand, skal dørstolpeankeret umiddelbart tas ut av bruk og 3M skal kontaktes vedrørende utskifting eller reparasjon. Ikke prøv å reparere fallsikringssystemet.

**Kun autorisert reparasjon:** Kun 3M eller parter med skriftlig autorisasjon kan reparere dette utstyret.

**5.3 PRODUKTETS LEVETID:** Den funksjonelle levetiden for fallsikringssystemer avhenger av arbeidstilstander og vedlikehold. Så lenge produktet oppfyller inspeksjonskriteriene, kan det brukes.

### 6.0 VEDLIKEHOLD, SERVICE, OPPBEVARING

**6.1 RENGJØRING:** Rengjør metallkomponentene i dørstolpeankeret med jevne mellomrom med en myk børste, varmt vann og mild såpeløsning. Sørg for å skylle delene godt med rikelig med rent vann.

**6.2 SERVICE:** Bare 3M eller virksomheter med skriftlig godkjenning fra 3M kan reparere dette utstyret. Hvis dørstolpeankeret er blitt utsatt for fallkrefter eller inspeksjon viser en utrygg eller defekt tilstand, skal systemet tas ut av bruk umiddelbart og 3M skal kontaktes om utskifting eller reparasjon.


**6.3 OPPBEVARING OG TRANSPORT:** Når dørstolpeankeret og tilknyttet fallsikringsutstyr ikke er i bruk, skal det oppbevares og transporteres i et kjølig, tørt og rent miljø, beskyttet mot direkte sollys. Unngå områder der det kan finnes gasser fra kjemikalier. Gjennomfør en grundig inspeksjon av komponenter etter langvarig oppbevaring.

**1 Kvalifisert person:** En person med anerkjent grad eller fagsertifikat, og utstrakt erfaring med fallsikring. Denne personen må kunne designe, analysere, evaluere og gi spesifikasjoner om fallsikring.

**2 Kvalifisert person:** En som er i stand til å identifisere eksisterende og mulige farer i omgivelsene eller arbeidsforhold som er uhygieniske, risikable eller farlige for ansatte, og som har autoritet til å utbedre eller eliminere dem.

## 7.0 MERKING

Figur 9 viser etikettene på dørstolpeankeret. Etikettene må skiftes ut hvis de ikke er fullt leselige. Informasjonen på hver etikett er som følger:

	Les alle instruksjoner.
①	SPESIFIKASJONER: Kapasitet: 1 person, ANSI maks. 140 kg (310 lbs), OSHA maks. 190 kg (420 lbs). Maksimal bremsekraft 816 kg (1800 lbs) Materialer: Aluminiumanker, D-ring i en forsinket stållegering Standarder: Oppfyller ANSI Z359.18 type A og OSHA 1926.502 og 1910.140 Minimum bruddstyrke: 22,2 kN (5000 lbs) MBS ANSI minimum brukstemperatur -40 °C (-40 °F)
②	BRUK: Se brukerveiledningen for informasjon om å opprette koblinger. Livlinen må ikke slite mot skarpe kanter under bruk. Vær forsiktig ved bruk av dette utstyret i nærheten av farlige varme-, elektriske eller kjemiske kilder. Se brukerveiledningen for mer informasjon.
③	INSPEKSJON: Ankeret må alltid inspiseres før bruk. I tillegg skal det inspiseres av en kvalifisert person minst en gang i måneden i samsvar med brukerveiledningen. Ankeret må ikke brukes dersom en inspeksjon avdekker en utrygg eller defekt tilstand. Skal ikke repareres av bruker.  Dette produktet er RFID-aktivert og har et elektronisk merke som kan leses av ved hjelp av en kompatibel leser og gir informasjon om inspeksjoner og annen sikkerhetsinformasjon.
④	TILLATTE BELASTNINGSRETNINGER: Arbeidet må aldri utføres i en horisontal vinkel som er større enn 30° vinkelrett på dørstolpeankerets forside for å unngå feil belastning av forankringspunktet. Arbeidet må aldri utføres i en posisjon over eller under forankringspunktene som overstiger kravene for vertikal belastning.
⑤	Dør-/vindusstolpeankeret må installeres nederst i vindus- eller døråpningen, hvilende på karmen. Hvis ankeret ikke hviler på karmen, kan det vri seg når det er belastet og frigjøre seg fra vindus- eller døråpningen. Manglende overholdelse kan føre til alvorlig personskade eller død.
⑥	CE-standard og kontrollorgannummer
⑦	Produksjonsmåned/-år og partinummer
⑧	Produsentens anvisninger må leses og forstås før bruk. Produsentens anvisninger som følger med dette produktet på forsendelsestidspunktet må følges for å sikre riktig bruk, vedlikehold og inspeksjon. Endringer eller feil bruk av dette produktet eller unnlattelse å følge anvisningene kan føre til alvorlig personskade eller død. Kun kompatible deler må kobles sammen. Se brukerveiledningen.
⑨	Produktmodellnummer
⑩	Produsentens kontor
⑪	Maksimalt én person.
⑫	Brukstemperaturområde: -40 °C til +60 °C
⑬	Inspeksjonslogg: Dato, initialer

**Tabell 2 – Inspeksjons- og vedlikeholdslogg**

<b>Inspeksjonsdato:</b>		<b>Inspisert av:</b>	
<b>Komponenter:</b>	<b>Inspeksjon:</b> (Se del 1 for inspeksjonsintervaller)	<b>Bruker</b>	<b>Kvalifisert person<sup>1</sup></b>
Dørstolpeanker (figur 2)	Kontroller dørstolpeankeret for skade: Se etter sprekker, merker eller deformiteter. Se etter bøying eller slitasje på støtterøret, D-ringen og justeringsmekanismer. Kontroller at det ikke mangler noen deler og at de er strammet til.	<input type="checkbox"/>	<input type="checkbox"/>
	Kontroller justeringsmekanismene. Grovjusteringsstiften må gå i lås når den settes inn i et av justeringshullene.	<input type="checkbox"/>	<input type="checkbox"/>
	Kontroller hele enheten for kraftig korrosjon. Kontroller finjusteringskruens moment og stram til ved behov.	<input type="checkbox"/>	<input type="checkbox"/>
Etiketter (figur 10)	Kontroller at alle etiketter er sikkert festet og leselige (se «Merking»).	<input type="checkbox"/>	<input type="checkbox"/>
Ankerstruktur	Inspiser dørrammen, vinduet og/eller strukturen for å sikre at de er lastbærende og oppfyller styrkekravene i tabell 1.	<input type="checkbox"/>	<input type="checkbox"/>
PFAS og annet utstyr	Ekstra PFAS-utstyr (sele, SRL, osv.) som brukes sammen med Flexiguard-forankringssystemet skal monteres og inspiseres i henhold til produsentens instruksjoner.	<input type="checkbox"/>	<input type="checkbox"/>
<b>Serienummer(e):</b>		<b>Kjøpsdato:</b>	
<b>Modellnummer:</b>		<b>Dato for førstegangsbruk:</b>	
<b>Korrigerende handling / vedlikehold:</b>		Godkjent av:	
		Dato:	
<b>Korrigerende handling / vedlikehold:</b>		Godkjent av:	
		Dato:	
<b>Korrigerende handling / vedlikehold:</b>		Godkjent av:	
		Dato:	
<b>Korrigerende handling / vedlikehold:</b>		Godkjent av:	
		Dato:	
<b>Korrigerende handling / vedlikehold:</b>		Godkjent av:	
		Dato:	
<b>Korrigerende handling / vedlikehold:</b>		Godkjent av:	
		Dato:	
<b>Korrigerende handling / vedlikehold:</b>		Godkjent av:	
		Dato:	
<b>Korrigerende handling / vedlikehold:</b>		Godkjent av:	
		Dato:	
<b>Korrigerende handling / vedlikehold:</b>		Godkjent av:	
		Dato:	
<b>Korrigerende handling / vedlikehold:</b>		Godkjent av:	
		Dato:	
<b>Korrigerende handling / vedlikehold:</b>		Godkjent av:	
		Dato:	
<b>Korrigerende handling / vedlikehold:</b>		Godkjent av:	
		Dato:	

**1 Kvalifisert person:** En som er i stand til å identifisere eksisterende og mulige farer i omgivelsene eller arbeidsforhold som er uhygieniske, risikable eller farlige for ansatte, og som har autoritet til å utbedre eller eliminere dem.



## INFORMAÇÕES DE SEGURANÇA

PT

**Certifique-se de que lê, compreende e segue todas as informações de segurança contidas nestas instruções antes de utilizar este Conector de Ancoragem. O INCUMPRIMENTO DESSAS INSTRUÇÕES PODERÁ RESULTAR EM LESÕES GRAVES OU MORTE.**

**Estas instruções têm de ser fornecidas ao utilizador deste equipamento. Guarde estas instruções para referência futura.**

### Uso previsto:

Este Conector de Ancoragem deve ser utilizado como parte de um sistema pessoal completo de proteção ant queda.

A sua utilização noutras circunstâncias incluindo, sem limitações, atividades de manuseamento de materiais, atividades recreativas ou relacionadas com desporto ou outras atividades não descritas nas Instruções para o utilizador, não é aprovada pela 3M e pode resultar em ferimentos graves ou morte.

Este dispositivo só deve ser utilizado por pessoas que tenham recebido formação no local de trabalho.

### AVISO

Este Conector de Ancoragem é parte de um sistema pessoal completo de proteção ant queda. Todos os utilizadores devem receber formação quanto à instalação e manuseamento seguros do seu sistema pessoal de proteção ant queda. **A má utilização deste dispositivo pode resultar em ferimentos graves ou morte.** Para a devida seleção, manuseamento, instalação, manutenção e reparação, consulte estas Instruções para o utilizador e todas as recomendações do fabricante, consulte o seu supervisor ou contacte os serviços técnicos da 3M.

- **Para minimizar os riscos associados à utilização de um Conector de Ancoragem que, caso não evitados, podem resultar em ferimentos graves ou morte:**
  - Inspeccione o dispositivo antes de cada utilização, pelo menos uma vez por ano, e após cada incidente de queda. Inspeccione de acordo com as Instruções para o Utilizador.
  - Se a inspeção revelar uma condição perigosa ou defeito, retire o dispositivo de serviço e repare-o ou substitua-o de acordo com as Instruções para o utilizador.
  - Qualquer dispositivo que tiver sido sujeito a forças de detenção da queda ou de impacto, deve ser imediatamente retirado de serviço e destruído.
  - O dispositivo só deve ser instalado em substratos especificados ou em estruturas detalhadas nas Instruções do Utilizador. As instalações e a utilização fora do âmbito das instruções devem ser aprovadas por escrito pela 3M Fall Protection.
  - O substrato ou a estrutura à qual o conector de ancoragem é fixado deve ser capaz de suportar as cargas estáticas especificadas para a ancoragem nas orientações permitidas nas Instruções para o Utilizador.
  - Apenas conecte subsistemas de proteção ant queda ao ponto de conexão de ancoragem designado no dispositivo.
  - Antes de perfurar ou fixar, certifique-se de que a broca ou o dispositivo não entrarão em contacto com cabos elétricos, condutas de gás, ou outros sistemas críticos incorporados.
  - Assegure-se de que os sistemas/subsistemas de proteção ant queda, montados com componentes produzidos por diferentes fabricantes, são compatíveis e satisfazem os requisitos das normas aplicáveis, incluindo a ANSI Z359 ou outros códigos, normas ou requisitos de proteção ant queda aplicáveis. Consulte sempre uma Pessoa competente ou Qualificada antes de utilizar estes sistemas.
- **Para minimizar os riscos associados à utilização em trabalhos em altura que, caso não evitados, podem resultar em ferimentos graves ou morte:**
  - Certifique-se de que a sua condição física e o seu estado de saúde lhe permitem suportar, com segurança, todas as forças associadas ao trabalho em altura. Consulte um médico caso tenha alguma questão quanto à sua capacidade de utilizar este equipamento.
  - Nunca exceda a capacidade permitida do seu equipamento de proteção ant queda.
  - Nunca exceda a distância de queda livre máxima do seu equipamento de proteção ant queda.
  - Não utilize qualquer equipamento de proteção ant queda que não cumpra os critérios predefinidos ou outras inspeções agendadas ou caso tenha dúvidas quanto à utilização ou adequação do equipamento no seu trabalho. Contacte os serviços técnicos da 3M se tiver dúvidas.
  - Algumas combinações de subsistemas e componentes podem interferir com o funcionamento deste equipamento. Utilize apenas conectores compatíveis. Consulte a 3M quando instalar ou utilizar este equipamento em combinação com componentes ou subsistemas diferentes dos descritos nas Instruções para o utilizador.
  - Tome precauções adicionais ao trabalhar perto de maquinaria em movimento (por exemplo, sistema top drive das plataformas petrolíferas), quanto a perigos elétricos, temperaturas extremas, perigos químicos, gases explosivos ou tóxicos, bermas afiadas ou materiais suspensos que possam cair em cima de si ou do seu equipamento de proteção ant queda.
  - Utilize equipamentos de proteção contra soldadura por arco elétrico ou materiais inflamáveis ao trabalhar em ambientes de temperatura elevada.
  - Evite superfícies ou objetos que possam causar-lhe ferimentos ou danificar o equipamento.
  - Certifique-se de que existe uma altura livre de queda ao trabalhar em alturas.
  - Nunca modifique ou altere o equipamento de proteção ant queda. Apenas a 3M ou terceiros com autorização escrita da 3M podem efetuar reparações neste equipamento.
  - Antes de utilizar equipamento de proteção ant queda, certifique-se de que existe um plano de resgate pronto a ser acionado caso ocorra um incidente de queda.
  - No caso de um incidente de queda, solicite imediatamente ajuda médica para o trabalhador que caiu.
  - Não utilize um cinto de segurança para aplicações de detenção da queda. Utilize apenas um arnés completo de corpo.
  - Minimize as quedas em pêndulo trabalhando o mais possível diretamente abaixo do ponto de ancoragem.
  - Se o dispositivo for utilizado durante uma formação, deve ser utilizado um sistema de proteção ant queda secundário para garantir que o formando não fica exposto a perigo de queda.
  - Utilize sempre equipamento de proteção individual adequado durante a instalação, utilização ou inspeção do dispositivo/sistema.

Antes da instalação e utilização deste equipamento, registre os dados de identificação do produto da etiqueta de identificação no Registo de Inspeções e Manutenções (Tabela 2) no verso deste manual.

## DESCRIÇÃO DO PRODUTO:

A Figura 1 ilustra o dispositivo de ancoragem aos caixilhos de portas 3M™ DBI-SALA™. O dispositivo de ancoragem aos caixilhos de portas é um conector de ancoragem de ponto simples que se instala na abertura de uma porta ou janela.

A Figura 2 ilustra os componentes do dispositivo de ancoragem aos caixilhos de portas. Consulte a Tabela 1 para ver as especificações. O dispositivo de ancoragem aos caixilhos de portas é constituído por um tubo de suporte (A) com uma perna fixa (B) e uma perna ajustável (C) que desliza ao longo do tubo de suporte para se encaixar na abertura da porta ou janela. A perna ajustável tem orifícios para pino e um pino (D) para ajuste largo. Quando a perna ajustável estiver bloqueada na posição certa, um botão rotativo com um pé aparafusado (E) é apertado para prender o dispositivo de ancoragem aos caixilhos de portas na abertura da porta/janela. Um D-Ring (F) no tubo de suporte serve como ponto de ligação para um cabo de segurança ou dispositivo autorretrátil (SRD).

**Tabela 1 – Especificações**

Especificações do sistema:			
<b>Capacidade:</b>	<b>ANSI/CE:</b> 1 pessoa com um peso combinado (vestuário, ferramentas, etc.) máximo de 140 kg (310 libras). <b>OSHA:</b> 1 pessoa com um peso combinado (vestuário, ferramentas, etc.) máximo de 190 kg (420 libras).		
<b>Força da ancoragem:</b>	<b>ANSI/OSHA</b>	<b>Proteção antiqueda:</b> A estrutura à qual o conector de ancoragem está preso deve sustentar cargas estáticas aplicadas nas direções permitidas pelo sistema de proteção antiqueda de pelo menos: 16 kN (3600 lbs) com certificação de uma Pessoa Qualificada <sup>2</sup> ; ou de 22 kN (5000 lbs) sem certificação. Se mais do que um Sistema Individual de Proteção Antiqueda (PFAS) estiver ligado a uma ancoragem, a carga estática deverá ser multiplicada pelo número de PFAS ligados à ancoragem.	
	<b>CE EN795</b>	<b>Estrutura de ancoragem:</b> A estrutura na qual o conector de ancoragem está montado deve ser capaz de suportar força na(s) direção(ões) prevista(s) de carga. Cada localização de ponto de ancoragem tem de ser capaz de suportar cargas de 12 kN (2698 libras).	
<b>Temperatura de funcionamento:</b>	-40 °C ( -40 °F)		
<b>Força de rutura do conector de ancoragem</b>	Força mínima de travagem de 22 kN (5000 libras)		
<b>Largura do caixilho de porta/janela:</b>	Consulte a figura 1: Largura mínima: 54,6 cm (21,5 pol.), largura máxima: 129,5 cm (51 pol.)		
<b>Dimensões do produto:</b>	Consulte a figura 1		
<b>Peso do produto:</b>	6,3 kg (14,0 libras)		
Especificações dos componentes:			
Referência na Figura 2	Componente	Materiais	Notas
(A)	Tubo de suporte	Alumínio	
(B)	Perna fixa	Tubo - alumínio Pé - aço Base - borracha	
(C)	Perna ajustável	Alumínio	
(D)	Pino de ajuste largo	Aço	
(E)	Botão de ajuste fino	Botão - aço Parafuso - aço Pé - aço Base - borracha	
(F)	D-Ring	Liga de aço	Resistência à tração - 22,2 kN (5000 libras)

**1 Pessoa qualificada:** Um indivíduo com um grau reconhecido ou certificado profissional e experiência alargada em Proteção contra quedas. Este indivíduo deverá estar apto a desenhar, analisar, avaliar e a fornecer especificações para Proteção contra quedas.

## 1.0 APLICAÇÃO DO PRODUTO

- 1.1 FINALIDADE:** Os conetores de ancoragem são concebidos para fornecer pontos de conexão de ancoragem a sistemas de paragem de queda<sup>1</sup> ou de retenção de queda<sup>2</sup>: Retenção, posicionamento no trabalho, condução individual, salvamento, etc.

**Apenas proteção antiquedas:** Este conector de ancoragem destina-se a conexão do equipamento de proteção antiquedas. Não ligue o equipamento de elevação a este conector de ancoragem.

- 1.2 NORMAS:** O seu conector de ancoragem está em conformidade com as normas nacionais ou regionais identificadas na capa destas instruções. Se este produto for revendido fora do país de destino original, o revendedor deve fornecer estas instruções na língua do país no qual o produto será usado.
- 1.3 SUPERVISÃO:** A instalação deste equipamento tem de ser supervisionada por uma Pessoa Qualificada<sup>3</sup>. O uso deste equipamento tem que ser supervisionado por uma Pessoa Competente<sup>4</sup>.
- 1.4 FORMAÇÃO:** Este equipamento deve ser instalado e utilizado por pessoas que tenham recebido formação quanto à sua correta aplicação. Este manual deverá ser integrado num programa de formação para funcionários, conforme exigido pela CE. É da responsabilidade do utilizador e do instalador deste equipamento assegurarem que estão familiarizados com estas instruções, que receberam formação sobre o tratamento e utilização corretos deste equipamento e que estão sensibilizados para as características do funcionamento, os limites de aplicação e as consequências da utilização indevida do mesmo.
- 1.5 PLANO DE SALVAMENTO:** Quando utilizar este equipamento e subsistemas de ligação, a entidade patronal tem de ter um plano de salvamento e os meios disponíveis para implementar e comunicar esse plano aos utilizadores, pessoas autorizadas<sup>5</sup> e equipas de salvamento<sup>6</sup>. Recomenda-se a presença de uma equipa de salvamento profissional no local. Os membros da equipa devem receber o equipamento e conhecer as técnicas necessárias para realizar um salvamento bem sucedido. A formação deve ser ministrada regularmente para assegurar a competência técnica dos elementos de socorro.
- 1.6 FREQUÊNCIA DE INSPEÇÕES:** O Conector de Ancoragem deve ser inspecionado pelo utilizador antes de cada utilização e, adicionalmente, por uma pessoa competente que não o utilizador em intervalos que não ultrapassem um ano.<sup>7</sup> Os procedimentos de inspeção estão descritos no "Registo de inspeções e manutenções". Os resultados de cada inspeção realizada por pessoas competentes devem ser registados em cópias do "Registo de inspeções e manutenções".
- 1.7 DEPOIS DE UMA QUEDA:** Se o Conector de ancoragem for sujeito a forças de detenção de uma queda, deverá ser retirado imediatamente do serviço e destruído.

## 2.0 REQUISITOS DO SISTEMA

- 2.1 ANCORAGEM:** Os requisitos de ancoragem variam com a aplicação da proteção antiqueda. A estrutura na qual o Conector de Ancoragem é colocado ou montado deve cumprir as especificações de Ancoragem definidas na Tabela 1.
- 2.2 SISTEMA PESSOAL DE DETENÇÃO DE QUEDA:** A Figura 1 ilustra a aplicação deste conector de ancoragem. Os Sistemas Pessoais de Proteção Antiquedas (PFAS) usados com o sistema devem cumprir as normas, códigos e requisitos da proteção antiqueda aplicáveis. Consulte as instruções incluídas com o seu cabo de segurança ou dispositivo autorretrátil para saber as limitações de queda livre. O PFAS tem de incorporar um arnês completo de corpo e limitar a força de detenção máxima (MAF) até aos seguintes valores:

	ANSI/OSHA	CE
<b>Sistema pessoal de paragem de queda com cabos de segurança amortecedores de impacto</b>	900 lb (4 kN)	6 kN (1350 libras)
<b>Sistema pessoal de paragem de queda com dispositivo auto retrátil</b>	900 lb (4 kN)	6 kN (1350 libras)

- 2.3 TRAJETÓRIA DA QUEDA E VELOCIDADE DE BLOQUEIO DA SRL:** É necessária uma trajetória desimpedida para assegurar o bloqueio positivo do SRD. Devem ser evitadas as situações que não permitem uma trajetória de queda livre. Trabalhar em espaços confinados ou exíguos pode não permitir que o corpo atinja a velocidade necessária para fazer com que o SRD bloqueie em caso de queda. Trabalhar em material instável, tal como a areia ou grãos, pode não permitir atingir a velocidade necessária para provocar o bloqueio do SRD.
- 2.4 RISCOS:** A utilização deste equipamento em áreas com riscos ambientais pode necessitar de precauções acrescidas a fim de evitar lesões no utilizador ou danos no equipamento. Os riscos podem incluir, sem limitação: temperaturas elevadas, produtos químicos, ambientes corrosivos, linhas de alta tensão, gases explosivos ou tóxicos, equipamentos móveis, arestas aguçadas ou materiais localizados acima da cabeça que podem cair e atingir o utilizador ou o sistema de proteção antiqueda.

**1 Sistema de paragem de queda:** Um conjunto de equipamento de proteção antiqueda configurado para parar uma queda livre.

**2 Sistema de retenção de queda:** Um conjunto de equipamento de proteção antiqueda configurado para impedir que o centro de gravidade da pessoa atinja o perigo de queda.

**3 Pessoa qualificada:** Um indivíduo com um grau reconhecido ou certificado profissional e experiência alargada em Proteção contra quedas. Este indivíduo deverá estar apto a desenhar, analisar, avaliar e a fornecer especificações para Proteção contra quedas.

**4 Pessoa competente:** Pessoa capaz de identificar riscos existentes e previsíveis nas proximidades ou condições de trabalho pouco higiénicas, prejudiciais ou perigosas para os funcionários, e que tem autorização para tomar medidas corretivas imediatas para os eliminar.

**5 Pessoa autorizada:** Em conformidade com as normas Z359, pessoa designada pela entidade empregadora para realizar trabalhos numa localização em que a pessoa estará exposta a perigo de queda.

**6 Elemento de salvamento:** Pessoa ou pessoas (sem ser a pessoa a ser socorrida) que procedem a uma ação de salvamento assistido, mediante a utilização de um sistema de salvamento.

**7 Frequência de inspeções:** As condições de trabalho extremas (ambientes rigorosos, utilização prolongada, etc.) podem necessitar de aumentar a frequência das inspeções por pessoas competentes.

- 2.5 ALTURA LIVRE DE QUEDA:** A Figura 3 ilustra os componentes do Sistema de detenção da queda do engate de caminhão. Deve haver espaço livre suficiente para proteção de uma queda antes que o utilizador caia ao chão ou encontre outro obstáculo. O espaço livre é afetado por uma série de fatores, incluindo: Local de ancoragem, (A) Comprimento do cabo de segurança, (B) distância de desaceleração do cabo de segurança ou distância de detenção máxima do SRD, (C) elasticidade do arnês e comprimento do argola em D/Conector e estabilização (normalmente um fator de segurança de 1 m). Consulte as instruções incluídas com o seu subsistema de detenção da queda para características específicas em relação a Cálculo da altura livre de queda.
- 2.6 QUEDAS EM OSCILAÇÃO (PÊNDULOS):** As quedas em oscilação ocorrem quando o ponto de ancoragem não está diretamente acima do ponto onde a queda ocorre (consulte a Figura 4). A força de impacto de um objeto numa queda em oscilação pode provocar lesões graves ou morte. Minimizar as quedas em pêndulo trabalhando o mais possível diretamente abaixo do ponto de ancoragem. Não permita uma queda por oscilação se existir a possibilidade de ferimento. As quedas em oscilação irão aumentar significativamente a altura livre necessária quando se utiliza uma corda de segurança retráctil ou outro subsistema de conexão de comprimento variável.
- 2.7 COMPATIBILIDADE DE COMPONENTES:** O equipamento da 3M destina-se ser usado apenas com componentes e subsistemas aprovados pela 3M. As substituições efetuadas com componentes ou subsistemas não aprovados podem comprometer a compatibilidade do equipamento e podem afetar a segurança e fiabilidade de todo o sistema.
- 2.8 COMPATIBILIDADE DE CONETORES:** Os conetores são considerados compatíveis com elementos de ligação quando são concebidos para trabalhar em conjunto de modo a que os seus tamanhos e formas não provoquem a abertura involuntária dos seus mecanismos de fecho, independentemente da forma como ficam orientados. Contacte a 3M se tiver dúvidas em relação à compatibilidade.
- Os conetores (ganchos, mosquetões e argolas em D) devem ter capacidade para suportar pelo menos 5.000 libras (22,2 kN). Os conetores têm de ser compatíveis com a ancoragem ou com outros componentes do sistema. Não utilize equipamento que não seja compatível. Os conetores incompatíveis podem desprender-se involuntariamente (consulte a Figura 5). Os conetores têm de ser compatíveis em tamanho, forma e resistência. Se o elemento de ligação ao qual se fixa o gancho de engate rápido ou mosquetão for demasiado pequeno ou tiver uma forma irregular, pode ocorrer uma situação no local onde o elemento de ligação aplica uma força à lingueta do gancho de engate rápido ou mosquetão (A). Esta força pode provocar a abertura da lingueta (B), permitindo que o gancho de engate rápido ou mosquetão se solte do ponto de ligação (C).
- As normas ANSI Z359 e OSHA exigem a utilização de mosquetões e de ganchos de bloqueio automático.
- 2.9 FAZER AS LIGAÇÕES:** Os ganchos de engate rápido e mosquetões utilizados com este equipamento têm de ser de bloqueio automático. Certifique-se de que todas as ligações são compatíveis em tamanho, forma e resistência. Não utilize equipamento que não seja compatível. Certifique-se de que todos os conetores estão totalmente fechados e bloqueados. Os conetores 3M (ganchos de engate rápido e mosquetões) foram concebidos para serem utilizados apenas como indicado no manual de instruções de cada produto. Consulte a Figura 6 para visualizar exemplos de ligações incorretas. Não ligue ganchos de engate rápido e mosquetões:
- A um D-Ring onde esteja preso outro conector.
  - De forma a que resulte uma carga sobre a lingueta. Os mosquetões de abertura larga não devem ser ligados a argolas em D de tamanho normal ou a objetos idênticos, pois esta situação irá resultar numa carga sobre o trinco caso o mosquetão ou a argola em D gire ou rode, a não ser que o mosquetão esteja equipado com um trinco para 3600 lbs (16 kN). Veja as marcações do seu mosquetão para verificar se é adequado para a sua aplicação.
  - Num encaixe incorreto, no qual os elementos salientes do gancho de engate rápido ou do mosquetão fiquem presos na ancoragem e que, sem confirmação visual, pareçam estar totalmente encaixados no ponto de ancoragem.
  - Entre si.
  - Diretamente em tecido ou cabo de segurança ou fixação (a menos que as instruções do fabricante tanto para o cabo de segurança como para o conector permitam especificamente uma ligação desse tipo).
  - A um objeto que tenha uma forma ou dimensão que não permita que os ganchos de engate rápido ou mosquetões fechem e tranquem ou que possa ocorrer deslizamento.
  - De forma a não permitir que o conector fique corretamente alinhado enquanto estiver sujeito a carga.

### 3.0 INSTALAÇÃO

*Para um ponto de ancoragem certificado, a estrutura à qual é fixo o conector de ancoragem tem de ser concebido ou avaliado por uma pessoa qualificada<sup>1</sup>. Um ponto de ancoragem não certificado pode ser aprovado por uma pessoa competente<sup>2</sup> (consulte a Tabela 1).*

**3.1 PLANEAMENTO:** Planeie o sistema de proteção antiqueda antes da instalação do dispositivo de ancoragem aos caixilhos de portas. Tenha em consideração todos os fatores que podem afetar a segurança do utilizador antes, durante e após uma queda. Tenha em consideração todos os requisitos, limitações e especificações definidos na Secção 2 e na Tabela 1.

**3.2 INSTALAR O DISPOSITIVO DE ANCORAGEM AOS CAIXILHOS DE PORTAS:** O dispositivo de ancoragem aos caixilhos de portas pode ser instalado em qualquer caixilho de porta ou janela com a largura mínima e larguras máximas permitidas que cumpra os requisitos de ancoragem especificados (consulte a Tabela 1). A Figura 7 ilustra a instalação do dispositivo de ancoragem aos caixilhos de portas. Para instalar o dispositivo de ancoragem aos caixilhos de portas:

1. Ajuste o dispositivo de ancoragem aos caixilhos de portas para se encaixar no interior da abertura pretendida removendo o pino de ajuste largo e fazendo deslizar a perna ajustável na direção do D-Ring. Rode o botão de ajuste fino no sentido contrário ao dos ponteiros do relógio até que o pé fique bem encostado ao tubo de suporte.
2. Coloque o dispositivo de ancoragem aos caixilhos de portas na abertura da porta ou janela com o D-Ring voltado para a área onde o trabalho vai ser realizado. A perna ajustável pode ser posicionada do lado esquerdo ou direito da abertura. O dispositivo de ancoragem aos caixilhos de portas tem de ficar assente na parte inferior da abertura da janela ou porta. Não tente instalar o dispositivo de ancoragem aos caixilhos de portas numa posição onde não seja suportado pelo chão ou pelo umbral da porta.
3. Faça deslizar a perna ajustável para o mais perto possível do caixilho da porta ou janela e insira o pino de ajuste largo na definição mais aproximada dos orifícios de ajuste. Prenda o dispositivo de ancoragem de forma ajustada no umbral apertando o botão de ajuste fino. O dispositivo de ancoragem aos caixilhos de portas tem de estar bem fixo e seguro após a instalação.

### 4.0 UTILIZAÇÃO

**4.1 ANTES DE CADA UTILIZAÇÃO:** Confirme que a sua área de trabalho e sistema pessoal de proteção antiquedas (PFAS) cumprem os critérios definidos na Secção 2 e que existe um Plano de Salvamento implementado. Inspeccione o dispositivo de ancoragem aos caixilhos de portas de acordo com os pontos de inspeção do "Utilizador" definidos no "Registo de Inspeção e Manutenção" (Tabela 2). Não utilize o sistema se a inspeção revelar uma condição perigosa ou defeituosa. Retire o sistema do serviço e destrua, ou contacte a 3M relativamente a substituição ou reparação.

**4.2 CONEXÕES DE DETENÇÃO DA QUEDA:** O dispositivo de ancoragem aos caixilhos de portas é utilizado com um arnês de corpo inteiro e cabo de segurança de absorção de energia ou dispositivo auto-retração (SRD). A Figura 8 ilustra a ligação do cabo de segurança (A) ou SRD (B) entre o arnês e o dispositivo de ancoragem aos caixilhos de portas. Ligue o cabo de segurança ou SRD entre o anel de ancoragem no dispositivo de ancoragem aos caixilhos de portas e o anel de ancoragem dorsal no arnês conforme indicado nas instruções incluídas com o cabo de segurança ou SRD.

*Área de Trabalho Segura: A Figura 8 ilustra a Área de Trabalho Segura para o dispositivo de ancoragem aos caixilhos de portas. Nunca trabalhe com um ângulo horizontal superior a 30° desde o plano perpendicular até à face do dispositivo de ancoragem aos caixilhos de portas para evitar uma carga incorreta do ponto de ligação de ancoragem (consulte a Figura 2). Nunca trabalhe numa posição acima ou abaixo dos pontos de ligação de ancoragem que exceda os requisitos de carga vertical ilustrados na Figura 2.*

### 5.0 INSPEÇÃO

**5.1 FREQUÊNCIA DE INSPEÇÃO:** O dispositivo de ancoragem aos caixilhos de portas tem de ser inspecionada nos intervalos definidos na Secção 1. Os procedimentos de inspeção estão descritos no "Registo de inspeções e manutenções" (Tabela 2). Inspeccione todos os outros componentes do sistema de proteção antiqueda de acordo com as frequências e procedimentos definidos nas instruções do respetivo fabricante.

*Etiqueta RFID: Os dispositivos de ancoragem aos caixilhos de portas estão equipados com uma etiqueta de identificação de radiofrequência (RFID). A etiqueta de RFID pode ser utilizada conjuntamente com o dispositivo de leitura portátil para simplificar a inspeção e controlo do inventário, bem como fornecer registos para o seu equipamento de proteção antiqueda.*

**5.2 DEFEITOS:** Se a inspeção revelar condições perigosas ou defeituosas, retire imediatamente de serviço o dispositivo de ancoragem aos caixilhos de portas e contacte a 3M, relativamente a substituição ou reparação. Não tente reparar o Sistema de detenção da queda.

*Apenas reparações autorizadas: Apenas a 3M ou terceiros com autorização escrita podem efetuar reparações neste equipamento.*

**5.3 VIDA ÚTIL DO PRODUTO:** A vida funcional do sistema de detenção da queda é determinada pelas condições de trabalho e manutenção. Enquanto o produto passar os critérios de inspeção, poderá continuar a ser utilizado.

**1 Pessoa qualificada:** Um indivíduo com um grau reconhecido ou certificado profissional e experiência alargada em Proteção contra quedas. Este indivíduo deverá estar apto a desenhar, analisar, avaliar e a fornecer especificações para Proteção contra quedas.

**2 Pessoa competente:** Pessoa capaz de identificar riscos existentes e previsíveis nas proximidades ou condições de trabalho pouco higiénicas, prejudiciais ou perigosas para os funcionários, e que tem autorização para tomar medidas corretivas imediatas para os eliminar.

## 6.0 MANUTENÇÃO, REPARAÇÃO, ARMAZENAMENTO


**6.1 LIMPEZA:** Limpe periodicamente os componentes metálicos do dispositivo de ancoragem aos caixilhos de portas com uma escova suave, água morna e uma solução de sabão suave. Certifique-se de que as peças foram lavadas minuciosamente com água limpa.

**6.2 REPARAÇÃO:** Apenas a 3M ou terceiros com autorização escrita pela 3M podem efetuar reparações neste equipamento. Se o dispositivo de ancoragem aos caixilhos de portas tiver sido sujeito a forças de queda ou se a inspeção revelar condições perigosas ou defeituosas, retire o sistema de serviço e contacte a 3M relativamente a substituição ou reparação.

**6.3 ARMAZENAMENTO E TRANSPORTE:** Quando não estiver a ser utilizado, armazene e transporte o dispositivo de ancoragem aos caixilhos de portas e o equipamento de proteção antiqueda associado num ambiente fresco, seco e limpo, afastado da luz solar direta. Evite áreas onde possam existir vapores químicos. Inspeccione minuciosamente os componentes após armazenamento prolongado.

## 7.0 ETIQUETAS

A Figura 9 ilustra as etiquetas no dispositivo de ancoragem aos caixilhos de portas. As etiquetas devem ser substituídas se não forem completamente legíveis. As informações fornecidas em cada etiqueta são as seguintes:

	Ler todas as instruções.
①	<p><b>ESPECIFICAÇÕES:</b> Capacidade: 1 pessoa, ANSI 140 kg (310 libras) máx., OSHA 190 kg (420 libras) máx.          Força máxima de amarração: 8 kN (1800 libras)          Materiais: Ancoragem em alumínio, D-Ring em aço galvanizado          Normas: Cumpre a ANSI Z359.18 Tipo A e a OSHA 1926.502 e 1910.140          Força de rutura mínima: 22 kN (5000 libras) MBS          Temperatura de serviço mínima ANSI -40 °C (-40 °F)</p>
②	<p><b>UTILIZAÇÃO:</b> Consulte o manual de utilização para obter mais pormenores sob a forma de realização de ligações. Não permite o abrasão da linha de vida contra as arestas aguçadas durante a utilização. Tenha cuidado ao utilizar este equipamento junto de fontes de calor, elétricas ou químicas perigosas. Consulte o manual de utilização para obter mais informações.</p>
③	<p><b>INSPEÇÃO:</b> Inspeccione a ancoragem antes de cada utilização. Pelo menos uma vez por mês, a fixação deve ser inspecionada por um funcionário competente de acordo com o manual de utilização. Não a utilize se a inspeção revelar uma condição perigosa ou defeituosa. Não é passível de reparação pelo utilizador.</p> <p>O produto contém a funcionalidade RFID bem como uma etiqueta eletrónica que pode ser lida por leitores compatíveis, apresentando informações de inspeções e outras de segurança.</p>
④	<p><b>DIREÇÕES DE CARGA PERMITIDAS:</b> Nunca trabalhe com um ângulo horizontal superior a 30° desde o plano perpendicular até à face do dispositivo de ancoragem aos caixilhos de portas para evitar uma carga incorreta do ponto de ligação de ancoragem. Nunca trabalhe numa posição acima ou abaixo dos pontos de ligação de ancoragem que exceda os requisitos de carga vertical.</p>
⑤	<p>Este dispositivo de ancoragem aos caixilhos de portas tem de ser instalado na parte inferior da abertura da janela ou da porta, apoiado no umbral. Se a ancoragem não estiver apoiada no umbral, pode rodar ao ser submetido a carga, fazendo com que a ancoragem se solte da abertura de janela ou porta. O incumprimento destas instruções poderá resultar em lesões graves ou morte.</p>
⑥	Norma CE e identificação de organismo identificado
⑦	Ano/mês de fabrico e número de lote
⑧	As instruções do fabricante têm de ser lidas e compreendidas antes da utilização. As instruções fornecidas juntamente com este produto no momento do envio têm de ser observadas no sentido de garantir uma utilização, manutenção e inspeção adequadas. Qualquer alteração ou utilização inadequada deste produto, ou a inobservância das instruções, pode resultar em ferimentos graves ou morte. Estabeleça apenas ligações compatíveis. Consulte o manual do utilizador.
⑨	Número de modelo do produto
⑩	Localização do fabricante
⑪	Uma pessoa no máximo
⑫	Intervalo de temperaturas de utilização: -40 °C a +60 °C
⑬	Registo de inspeção: Data, iniciais

**Tabela 2 – Registo de Inspeção e manutenção**

<b>Data da inspeção:</b>		<b>Inspeccionado por:</b>	
<b>Componentes:</b>	<b>Inspeção:</b> (Para obter mais informações acerca da <i>Frequência de inspeções</i> da unidade, consulte a secção 1)	<b>Utilizador</b>	<b>Pessoa competente<sup>1</sup></b>
Dispositivo de ancoragem aos caixilhos de portas (Figura 2)	Inspeccione o dispositivo de ancoragem aos caixilhos de portas para verificar se existem danos: Observe fissuras, amolgadelas ou deformações. Observe torções ou desgaste no tubo de suporte, D-Ring e mecanismos de ajuste. Certifique-se de que não existem peças soltas ou em falta.	<input type="checkbox"/>	<input type="checkbox"/>
	Inspeccione os mecanismos de ajuste. O pino de ajuste largo tem de ficar bloqueado quando for inserido num dos orifícios de ajuste.	<input type="checkbox"/>	<input type="checkbox"/>
	Inspeccione toda a unidade para verificar se existe corrosão excessiva. Inspeccione o binário de aperto do parafuso de ajuste fino e aperte, se necessário.	<input type="checkbox"/>	<input type="checkbox"/>
Etiquetas (Figura 10)	Confirme que todas as etiquetas estão bem fixadas e legíveis (consulte a secção "Etiquetas")	<input type="checkbox"/>	<input type="checkbox"/>
Estrutura de ancoragem	Inspeccione o quadro da porta, a janela e/ou a estrutura para garantir que suportam a carga e cumprem os requisitos de resistência da Tabela 1.	<input type="checkbox"/>	<input type="checkbox"/>
Sistema pessoal de paragem de queda e outros equipamentos	O equipamento adicional do sistema pessoal de paragem de queda (PFAS) (arnês, SRL, etc.) utilizado com o Sistema de Ancoragem Flexiguard deve ser instalado e inspeccionado de acordo com as instruções do fabricante.	<input type="checkbox"/>	<input type="checkbox"/>
<b>Número(s) de série:</b>		<b>Data de aquisição:</b>	
<b>Número do modelo:</b>		<b>Data da primeira utilização:</b>	
<b>Ação corretiva/manutenção:</b>		Aprovado por:	
		Data:	
<b>Ação corretiva/manutenção:</b>		Aprovado por:	
		Data:	
<b>Ação corretiva/manutenção:</b>		Aprovado por:	
		Data:	
<b>Ação corretiva/manutenção:</b>		Aprovado por:	
		Data:	
<b>Ação corretiva/manutenção:</b>		Aprovado por:	
		Data:	
<b>Ação corretiva/manutenção:</b>		Aprovado por:	
		Data:	
<b>Ação corretiva/manutenção:</b>		Aprovado por:	
		Data:	
<b>Ação corretiva/manutenção:</b>		Aprovado por:	
		Data:	
<b>Ação corretiva/manutenção:</b>		Aprovado por:	
		Data:	
<b>Ação corretiva/manutenção:</b>		Aprovado por:	
		Data:	
<b>Ação corretiva/manutenção:</b>		Aprovado por:	
		Data:	

**1 Pessoa competente:** Pessoa capaz de identificar riscos existentes e previsíveis nas proximidades ou condições de trabalho pouco higiénicas, prejudiciais ou perigosas para os funcionários, e que tem autorização para tomar medidas corretivas imediatas para os eliminar.

SP-L

## INFORMACIÓN DE SEGURIDAD

Lea, comprenda y acate toda la información de seguridad incluida en estas instrucciones antes de utilizar este sistema de conector de anclaje. **DE NO HACERLO, PUEDEN PRODUCIRSE LESIONES O LA MUERTE.**

Estas instrucciones deben entregarse a los usuarios de este equipo. Conserve todas las instrucciones para consultas futuras.

### Uso pretendido:

Este conector de anclaje ha sido diseñado para utilizarse como parte de un sistema personal completo de protección contra caídas.

3M no aprueba su uso para ninguna otra aplicación, incluidas, entre otras, la manipulación de materiales, las actividades de recreación o relacionadas con el deporte, u otras actividades no descritas en las Instrucciones para el usuario, ya que podrían ocasionarse lesiones graves o la muerte.

Este dispositivo debe ser utilizado únicamente por usuarios capacitados para aplicaciones en el lugar de trabajo.



## ADVERTENCIA

Este conector de anclaje forma parte de un sistema personal completo de protección contra caídas. Se prevé que todos los usuarios estén plenamente capacitados para instalar y utilizar con seguridad el sistema de protección contra caídas. **El uso incorrecto de este dispositivo puede ocasionar lesiones graves o la muerte.** Para su selección, funcionamiento, instalación, mantenimiento y reparación en forma adecuada, consulte las Instrucciones para el usuario y todas las recomendaciones del fabricante, consulte a un supervisor, o comuníquese con el Servicio Técnico de 3M.

- **Para reducir los riesgos asociados al trabajo con un conector de anclaje, que, de no evitarse, podrían ocasionar lesiones graves o la muerte:**
  - Inspeccione el dispositivo antes de cada uso, al menos una vez por año y después de una caída. La inspección se debe realizar de acuerdo con las Instrucciones para el usuario.
  - Si la inspección revela una condición insegura o defectuosa, retire el dispositivo de servicio, y repare o reemplácelo de acuerdo con las Instrucciones para el usuario.
  - Cualquier dispositivo que haya sido sometido a las fuerzas de detención de caídas o de impacto deberá retirarse inmediatamente del servicio y destruirse.
  - El dispositivo solo debe ser instalado en sustratos especificados o en estructuras detalladas en el Manual de instrucciones. Las instalaciones y el uso fuera del alcance de las instrucciones deben ser aprobados por 3M Fall Protection.
  - La superficie o la estructura a las que se conecta el conector de anclaje deben poder soportar las cargas estáticas especificadas para el anclaje en las orientaciones que se permiten en las Instrucciones para el usuario.
  - Solo conecte otros subsistemas de protección contra caídas al punto de conexión de anclaje designado en el dispositivo.
  - Antes de perforar o ajustar, asegúrese de que el taladro o el dispositivo no entrarán en contacto con líneas eléctricas, tuberías de gas u otros sistemas integrados fundamentales.
  - Asegúrese de que los sistemas y sistemas secundarios de protección contra caídas ensamblados con componentes hechos por diferentes fabricantes sean compatibles y cumplan con los requisitos de las normas vigentes, entre ellas ANSI Z359 u otros códigos, normas o requisitos vigentes de protección contra caídas. Consulte siempre a una persona calificada o competente antes de usar estos sistemas.
- **Para reducir los riesgos asociados con el trabajo en altura que, en caso de no evitarse, podrían ocasionar lesiones graves o muerte:**
  - Asegúrese de que su estado de salud y su condición física le permitan tolerar con seguridad todas las fuerzas asociadas con el trabajo en altura. Consulte a su médico si tiene dudas acerca de su capacidad para utilizar este equipo.
  - Nunca exceda la capacidad permitida del equipo de protección contra caídas.
  - Nunca exceda la distancia máxima de caída libre del equipo de protección contra caídas.
  - No utilice ningún equipo de protección contra caídas que no haya aprobado las inspecciones anteriores al uso u otras inspecciones programadas o si tiene inquietudes acerca del uso o de la idoneidad del equipo para su aplicación. Comuníquese con los Servicios Técnicos de 3M si tiene preguntas.
  - Algunas combinaciones de sistemas secundarios y componentes pueden interferir en el funcionamiento de este equipo. Utilice solamente conexiones compatibles. Consulte con 3M antes de utilizar este equipo junto con componentes o sistemas secundarios distintos de aquellos descritos en las Instrucciones para el usuario.
  - Tome precauciones adicionales al trabajar cerca de maquinaria en movimiento (por ejemplo, el sistema de propulsión superior de una torre petrolera), si hay riesgos eléctricos, temperaturas elevadas, peligros químicos, gases tóxicos o explosivos, bordes filosos o materiales elevados que pudieran caer sobre el equipo de protección contra caídas.
  - Utilice dispositivos Arc Flash o Hot Works cuando trabaje en ambientes con temperaturas elevadas.
  - Evite superficies y objetos que podrían lesionar al usuario o dañar el equipo.
  - Asegúrese de que haya una separación de caída adecuada al trabajar en alturas.
  - Nunca modifique ni altere el equipo de protección contra caídas. Solo 3M o las entidades autorizadas por escrito por 3M pueden hacer reparaciones en el equipo.
  - Antes de usar el equipo de protección contra caídas, asegúrese de que se haya implementado un plan de rescate que permita el rescate inmediato en caso de producirse un incidente de caída.
  - Si se produce un incidente de caída, busque atención médica de inmediato para la persona accidentada.
  - No utilice cinturones corporales para detención de caídas. Utilice únicamente un arnés de cuerpo entero.
  - Trabaje en un lugar situado lo más directamente posible por debajo del punto de anclaje para minimizar la posibilidad de caídas por balanceo.
  - Si está en capacitación con este equipo, debe utilizar un sistema secundario de protección contra caídas de forma tal que el aprendiz no esté expuesto a un riesgo de caída accidental.
  - Lleve puesto siempre un equipo de protección personal apropiado cuando instale, utilice o revise el dispositivo/sistema.



Antes de instalar y utilizar este equipo, anote la información de identificación del producto, que figura en la etiqueta de identificación que se encuentra en la hoja de registro de inspecciones y mantenimiento (Tabla 2) en la parte posterior de este manual.

### DESCRIPCIÓN DEL PRODUCTO:

La Figura 1 ilustra el anclaje para marcos de puerta 3M™ DBI-SALA™. El anclaje para marcos de puerta es un conector de anclaje de punto único que se instala en una abertura de puerta o ventana.

La Figura 2 ilustra los componentes del anclaje para marcos de puerta. Vea las especificaciones en la Tabla 1. El anclaje para marcos de puerta está compuesto por un tubo de soporte (A) con una pata fija (B) y una pata ajustable (C) que se desliza a lo largo del tubo de soporte para ajustarse en la abertura de la puerta o ventana. La pata ajustable tiene orificios de pasador y un pasador (D) para un ajuste grueso. Una vez que la pata ajustable se clava en el lugar, se aprieta una perilla con una base de tornillo (E) para sujetar firmemente el anclaje para marcos de puerta en la abertura de puerta/ventana. Un anillo en D (F) en el tubo de soporte sirve como punto de conexión para una eslinga o un dispositivo autorretráctil (SRD).

**Tabla 1: especificaciones**

Especificaciones del sistema:			
<b>Capacidad:</b>	<b>ANSI/CE:</b> 1 persona con un peso combinado (ropa, herramientas, etc.) no mayor de 140 kg (310 libras). <b>OSHA:</b> 1 persona con un peso combinado (ropa, herramientas, etc.) no mayor de 190 kg (420 libras).		
<b>Resistencia del anclaje:</b>	<b>ANSI/OSHA</b>	<b>Detención de caídas:</b> La estructura a la que se fija el conector de anclaje debe sostener cargas estáticas, aplicadas en las direcciones permitidas por el sistema de detención de caídas, de al menos: 16 kN (3.600 libras) con certificación por una persona calificada <sup>2</sup> o 22,2 kN (5.000 libras) sin certificación. Cuando más de un Sistema personal de detención de caídas (PFAS) se conecta a un anclaje, estas cargas estáticas deben multiplicarse por la cantidad de PFAS conectados al anclaje.	
	<b>CE EN795</b>	<b>Estructura de anclaje:</b> La estructura en la cual se instala el conector de anclaje debe ser capaz de sostener la fuerza en la dirección de carga prevista. Cada ubicación del punto de anclaje debe ser capaz de sostener cargas de 12 kN (2.698 libras).	
<div style="border: 1px solid black; padding: 5px; margin: 5px 0;"> <input checked="" type="checkbox"/> <b>Normas OSHA 1926.500 y OSHA 1910.66:</b> Los anclajes usados para conectar un Sistema personal de detención de caídas (PFAS) deben ser independientes de cualquier anclaje que se esté usando para sostener o suspender plataformas, ser capaces de soportar al menos 22,2 kN (5.000 libras) por usuario conectado o estar diseñados, instalados y empleados como parte de un sistema PFAS completo que mantenga un factor de seguridad de al menos 2 unidades, y ser supervisados por una persona calificada<sup>2</sup>.         </div>			
<b>Temperatura de servicio:</b>	-40 °C (-40 °F)		
<b>Resistencia a la ruptura del conector de anclaje</b>	22,2 kN (5.000 libras) de resistencia mínima a la ruptura		
<b>Ancho del marco para puerta/ventana:</b>	Vea la Figura 1: Ancho mínimo: 54,6 cm (21,5 pulg.), Ancho máximo: 129,5 cm (51,0 pulg.)		
<b>Dimensiones del producto:</b>	Vea la Figura 1		
<b>Peso del producto:</b>	6,3 kg (14 libras)		
Especificaciones del componente:			
Referencia en Figura 2	Componente	Materiales	Notas
(A)	Tubo de soporte	Aluminio	
(B)	Pata fija	Tubo, aluminio Pie, acero Base, caucho	
(C)	Pata ajustable	Aluminio	
(D)	Pasador de ajuste grueso	Acero	
(E)	Perilla de ajuste fino	Perilla, acero Tornillo, acero Pie, acero Base, caucho	
(F)	Anillo en D	Aleación de acero	Resistencia a la tensión de 22,2 kN (5.000 libras)

**1 Persona calificada:** Una persona con un título o certificado profesional reconocido y una amplia experiencia en la protección contra caídas. Esta persona debe ser capaz de realizar el diseño, el análisis, la evaluación y la especificación en protección contra caídas.

## 1.0 APLICACIÓN DEL PRODUCTO

**1.1 PROPÓSITO:** Los conectores de anclaje están diseñados para brindar puntos de conexión de anclaje para sistemas de detención de caídas<sup>1</sup> o de retención de caídas<sup>2</sup>: Retención, posicionamiento para el trabajo, desplazamiento vertical de personal, rescate, etc.

**Solo protección contra caídas:** Este conector de anclaje es para conectar equipo de protección contra caídas. No conecte equipo de elevación a este conector de anclaje.

- 1.2 NORMAS:** Su conector de anclaje cumple con las normas nacionales o regionales que se identifican en la cubierta frontal de estas instrucciones. Si este producto se revende fuera del país de destino original, el revendedor debe proporcionar estas instrucciones en el idioma del país en el que se usará el producto.
- 1.3 SUPERVISIÓN:** Una persona calificada debe supervisar la instalación de este equipo<sup>3</sup>. Una persona competente debe supervisar el uso de este equipo<sup>4</sup>.
- 1.4 CAPACITACIÓN:** La instalación y el uso de este equipo deben estar a cargo de personas capacitadas en su correcta aplicación. Este manual debe usarse como parte de los programas de capacitación de empleados exigidos por CE. El usuario y quienes instalen este equipo tienen la responsabilidad de familiarizarse con estas instrucciones, capacitarse en el cuidado y uso correctos del equipo, además de informarse sobre las características operativas, los límites de aplicación y las consecuencias del uso incorrecto de este equipo.
- 1.5 PLAN DE RESCATE:** Al utilizar este equipo y al conectarse con los sistemas secundarios, el empleador debe contar con un plan de rescate y tener a mano los medios para implementar y comunicar dicho plan a los usuarios, las personas autorizadas<sup>5</sup> y los rescatistas<sup>6</sup>. Se sugiere contar con un equipo de rescate capacitado en el lugar de trabajo. Los miembros del equipo deben contar con el equipo y las técnicas para realizar un rescate exitoso. Los integrantes del equipo de rescate deben recibir capacitación periódica para garantizar su pericia.
- 1.6 FRECUENCIA DE INSPECCIÓN:** El conector de anclaje será inspeccionado por el usuario antes de cada uso y, además, por una persona competente que no sea el usuario a intervalos de no más de un año.<sup>7</sup> Los procedimientos de inspección se describen en el "Registro de inspección y mantenimiento". Los resultados de la inspección por parte de cada persona competente deben registrarse en copias del "Registro de inspección y mantenimiento".
- 1.7 LUEGO DE UNA CAÍDA:** Si el conector de anclaje ha sido sometido a la fuerza proveniente de la detención de una caída, debe ser retirado de servicio de inmediato y destruido.

## 2.0 REQUISITOS DEL SISTEMA

- 2.1 ANCLAJE:** Los requisitos de anclaje varían según la aplicación de protección contra caídas. La estructura sobre la que se pone o se instala el conector de anclaje debe cumplir con las especificaciones de anclaje que se definen en la Tabla 1.
- 2.2 SISTEMA PERSONAL DE DETENCIÓN DE CAÍDAS:** La figura 1 ilustra la aplicación de este conector de anclaje. Los Sistemas personales de detención de caídas (PFAS) utilizados con el sistema deben cumplir con las normas, códigos y requisitos correspondientes para protección contra caídas. Consulte las instrucciones incluidas en su eslinga o dispositivo autorretráctil para ver las limitaciones de caída libre. El PFAS debe incorporar un arnés de cuerpo completo y limitar la fuerza de detención máxima (Maximum Arresting Force, MAF) en los siguientes valores:

	ANSI/OSHA	CE
PFAS con eslingas amortiguadoras de impacto	4 kN (900 libras)	6 kN (1.350 libras)
PFAS con dispositivos autorretráctiles	4 kN (900 libras)	6 kN (1.350 libras)

- 2.3 TRAYECTORIA DE CAÍDA Y VELOCIDAD DE BLOQUEO DEL DISPOSITIVO AUTORRETRÁCTIL (SELF RETRACTING DEVICE, SRD):** Se requiere una trayectoria despejada para asegurar que el SRD se bloquee. Se deben evitar situaciones donde la trayectoria de una posible caída presente obstrucciones. Trabajar en espacios muy confinados o restringidos podría no permitir que el cuerpo desarrolle una velocidad suficiente para que el SRD se bloquee si se produce una caída. Trabajar sobre materiales que se mueven lentamente, como por ejemplo, arena o granos, podría no permitir que se acumule una velocidad suficiente para que se bloquee el SRD.
- 2.4 PELIGROS:** El uso de este equipo en áreas en las que existen riesgos ambientales puede requerir precauciones adicionales para evitar lesiones al usuario o daños al equipo. Los riesgos incluyen, entre otros: calor extremo, sustancias químicas, ambientes corrosivos, líneas de alta tensión, gases explosivos o tóxicos, maquinaria en movimiento, bordes afilados o materiales ubicados sobre el nivel de la cabeza que podrían caer y entrar en contacto con el usuario o el sistema personal de detención de caídas.

**1 Sistema de detención de caídas:** Una colección de equipos de protección contra caídas configurados para detener una caída libre.

**2 Sistema de retención de caídas:** Una colección de equipos de protección contra caídas configurados para evitar que el centro de gravedad de una persona llegue a un riesgo de caída.

**3 Persona calificada:** Una persona con un título o certificado profesional reconocido y una amplia experiencia en la protección contra caídas. Esta persona debe ser capaz de realizar el diseño, el análisis, la evaluación y la especificación en protección contra caídas.

**4 Persona competente:** Persona capaz de identificar los riesgos existentes y predecibles en los alrededores, o las condiciones de trabajo que son antihigiénicas, riesgosas o peligrosas para los empleados y que, además, está autorizada para tomar medidas correctivas inmediatas para eliminar estos riesgos.

**5 Persona autorizada:** Según las normas Z359, persona designada por el empleador para que realice tareas en una ubicación en la que la persona estará expuesta a un riesgo de caída.

**6 Rescatista:** Persona o personas que no son el sujeto a rescatar y que actúan para realizar un rescate asistido mediante la implementación de un sistema de rescate.

**7 Frecuencia de inspección:** Las condiciones de trabajo extremas (ambientes rigurosos, uso prolongado, etc.) pueden requerir una mayor frecuencia en las inspecciones realizadas por una persona competente.

- 2.5 SEPARACIÓN DE CAÍDA:** La figura 3 muestra los componentes de una detención de caídas. Debe haber suficiente separación de caída (Fall Clearance, FC) para poder detener una caída y evitar que el usuario se golpee contra un objeto o contra el piso. La separación se ve afectada por una serie de factores, incluidos los siguientes: Ubicación del anclaje, (A) longitud de la eslinga, (B) distancia de desaceleración de la eslinga o distancia de detención máxima del SRD, (C) elongación del arnés y longitud del anillo en D/conector y estabilización (generalmente un factor de seguridad de 1 m). Consulte las instrucciones incluidas con su sistema secundario de detención de caídas para obtener información específica respecto al cálculo de separación de caída.
- 2.6 CAÍDAS POR BALANCEO:** Las caídas por balanceo ocurren cuando el punto de anclaje no está directamente por encima del punto donde ocurre la caída (consulte la Figura 4). La fuerza del golpe contra un objeto en una caída por balanceo puede causar lesiones graves e, incluso, fatales. Trabaje en un lugar situado lo más directamente posible por debajo del punto de anclaje para minimizar la posibilidad de caídas por balanceo. No permita que ocurra una caída por balanceo si pudiera causar lesiones. Las caídas por balanceo incrementarán considerablemente el espacio libre necesario cuando se utiliza un dispositivo autorretráctil u otro sistema secundario de conexión con longitud variable.
- 2.7 COMPATIBILIDAD DE LOS COMPONENTES:** El equipo 3M está diseñado para usarse exclusivamente con los componentes y sistemas secundarios 3M aprobados. Las sustituciones o reemplazos hechos con componentes y sistemas secundarios no aprobados pueden arriesgar la compatibilidad del equipo y pueden afectar la seguridad y confiabilidad de todo el sistema.
- 2.8 COMPATIBILIDAD DE LOS CONECTORES:** Los conectores se consideran compatibles con los elementos de conexión cuando fueron diseñados para funcionar juntos de manera tal que, independientemente de cómo queden orientados, sus formas y tamaños no provoquen la apertura accidental de los mecanismos de cierre. Comuníquese con 3M ante cualquier duda sobre la compatibilidad.

Los conectores (ganchos, mosquetones y anillos en D) deben ser capaces de soportar al menos 22,2 kN (5.000 libras). Los conectores deben ser compatibles con el anclaje u otros componentes del sistema. No use un equipo que no sea compatible. Los conectores no compatibles pueden desconectarse accidentalmente (vea la figura 5). Los conectores deben ser compatibles en cuanto a tamaño, forma y resistencia. Si el elemento de conexión al que se fija un gancho de seguridad o mosquetón es más pequeño que lo debido o es de forma irregular, podría surgir una situación en la que el elemento de conexión aplicara una fuerza a la compuerta del gancho de seguridad o mosquetón (A). Esta fuerza puede hacer que se abra la compuerta (B) permitiendo que el gancho de seguridad o mosquetón se desconecte del punto de conexión (C).

Los ganchos de seguridad y mosquetones con cierre automático son reglamentarios según las normas ANSI Z359 y OSHA.

- 2.9 CÓMO HACER LAS CONEXIONES:** Los ganchos de seguridad y mosquetones que se utilicen con este equipo deben tener cierre automático. Asegúrese de que todas las conexiones sean compatibles en cuanto a tamaño, forma y resistencia. No use un equipo que no sea compatible. Asegúrese de que todos los conectores estén completamente cerrados y trabados.

Los conectores 3M (ganchos de seguridad y mosquetones) están diseñados para el uso exclusivo que se especifica en las instrucciones de uso de cada producto. Vea ejemplos de conexiones incorrectas en la figura 6. Los ganchos de seguridad y mosquetones no deben conectarse:

- A. A un anillo en D al que se ha conectado otro conector.
- B. De manera tal que se produzca una carga sobre la compuerta. Los ganchos de seguridad de gargantas grandes no deben conectarse a anillos en D de tamaño estándar ni a objetos similares que puedan imponer una carga sobre la compuerta en caso de que el gancho o el anillo en D gire o se tuerza, a menos que el gancho de seguridad cumpla con la norma y esté equipado con una compuerta de 16 kN (3.600 libras). Examine la marca en el gancho de seguridad para verificar que sea apropiado para su aplicación.
- C. En un enganche falso, donde los elementos que sobresalen del gancho de seguridad o mosquetón se agarran del anclaje y, sin una confirmación visual, pareciera como si están completamente enganchados al punto de anclaje.
- D. Entre sí.
- E. Directamente a una eslinga o tejido trenzado o a sí mismo (a menos que en las instrucciones del fabricante de la eslinga y del conector se indique específicamente que se puede realizar esa conexión).
- F. A cualquier objeto cuya forma o dimensión sea tal que el gancho de seguridad o mosquetón quede sin cerrar o trabar, o que pueda deslizarse.
- G. De modo que impida que el conector se alinee correctamente en condiciones de carga.

### 3.0 INSTALACIÓN

*Para un punto de anclaje certificado, la estructura a la cual se fija el conector de anclaje debe estar diseñada o ser evaluada por una persona calificada<sup>1</sup>. Un punto de anclaje no certificado puede ser aprobado por una persona competente<sup>2</sup> (consulte la Tabla 1).*

**3.1 PLANIFICACIÓN:** Planifique el sistema de protección contra caídas antes de instalar el sistema de anclaje para marcos de puerta. Tenga en cuenta todos los factores que puedan afectar la seguridad del usuario antes, durante y después de una caída. Considere todos los requisitos, las limitaciones y las especificaciones que se definen en la Sección 2 y en la Tabla 1.

**3.2 INSTALACIÓN DEL ANCLAJE PARA MARCOS DE PUERTA:** El anclaje para marcos de puerta se puede instalar en cualquier marco de puerta o ventana del ancho mínimo y los anchos máximos permitidos que cumplan con los requisitos de anclaje especificados (vea la Tabla 1). La Figura 7 muestra la instalación del anclaje para marcos de puerta. Para instalar el anclaje para marcos de puerta:

1. Ajuste el anclaje para marcos de puerta de manera tal que encaje dentro de la abertura deseada quitando el pasador de ajuste grueso y moviendo la pata ajustable hacia el anillo en D. Gire la perilla de ajuste fino hacia la izquierda hasta que el pie esté ajustado contra el tubo de soporte.
2. Coloque el anclaje para marcos de puerta en la abertura de la ventana o puerta, o con el anillo en D de cara al área donde se realizará el trabajo. La pata ajustable puede ubicarse del lado izquierdo o derecho de la apertura. El anclaje para marcos de puerta puede descansar en la parte inferior de la abertura de la puerta o ventana. No intente instalar el anclaje para marcos de puerta en una posición en la que no quede apoyada sobre el piso o el alféizar de la ventana.
3. Mueva la pata ajustable lo más cerca posible del marco de la puerta o ventana, e inserte el pasador de ajuste en bruto en el conjunto de orificios de ajuste más cercano. Sujete firmemente el anclaje justo en la puerta o la ventana. Para ello, apriete la perilla de ajuste fino. El anclaje para marcos de puerta debe ser sólido y estar fijo después de la instalación.

### 4.0 USO

**4.1 ANTES DE CADA USO:** verifique que su área de trabajo y el Sistema personal de detención de caídas (PFAS) cumplan con todos los criterios que se definen en la sección 2 y que exista un plan de rescate formal. Inspeccione el anclaje para marcos de puerta según los puntos de inspección para el "Usuario" definidos en el "Registro de inspección y mantenimiento" (Tabla 2). No utilice el sistema si la inspección revela una condición no segura o defectuosa. Retire el sistema de servicio y destrúyalo, o comuníquese con 3M en relación con el reemplazo o la reparación.

**4.2 CONEXIONES DE DETENCIÓN DE CAÍDAS:** El anclaje para marcos de puerta se usa con un arnés de cuerpo entero y una eslinga amortiguadora de energía o dispositivo autorretráctil (Self-Retracting Device, SRD). La Figura 8 ilustra la conexión de la eslinga (A) o el SRD (B) entre el arnés y el anclaje para marcos de puerta. Conecte la eslinga o el SRD entre el anillo en D del anclaje para marcos de puerta y el anillo en D dorsal trasero en el arnés según las instrucciones incluidas con la eslinga o SRD.

**Área de trabajo segura:** La Figura 8 ilustra el área de trabajo segura para el anclaje para marcos de puerta. Nunca trabaje en un ángulo horizontal mayor que 30 grados desde la vista perpendicular hasta la superficie del anclaje para marcos de puerta para evitar una carga inapropiada del punto de conexión del anclaje (vea la Figura 2). Nunca trabaje en una posición por encima o por debajo de los puntos de conexión del anclaje que exceda los requisitos de carga vertical ilustrados en la Figura 2.

### 5.0 INSPECCIÓN

**5.1 FRECUENCIA DE INSPECCIÓN:** El anclaje para marcos de puerta debe inspeccionarse según los intervalos que se definen en la Sección 1. Los procedimientos de inspección se describen en el "Registro de inspección y mantenimiento" (Tabla 2). Inspeccione el resto de los componentes del sistema de protección contra caídas según las frecuencias y los procedimientos que se definen en las instrucciones del fabricante.

**Cable de retención RFID:** Los anclajes para marcos de puerta están equipados con una etiqueta de identificación por radiofrecuencia (Radio Frequency Identification, RFI). La etiqueta de RFID se puede utilizar junto con el dispositivo lector portátil para simplificar la inspección y el control del inventario, así como para generar registros sobre su equipo de protección contra caídas.

**5.2 DEFECTOS:** Si la inspección revela una condición insegura o defectuosa, retire inmediatamente de servicio el anclaje para marcos de puerta y comuníquese con 3M en relación con su reemplazo o reparación. No intente reparar el sistema de detención de caídas.

**Solo reparaciones autorizadas:** Solo 3M o las entidades autorizadas por escrito pueden reparar este equipo.

**5.3 VIDA ÚTIL DEL PRODUCTO:** La vida útil del sistema de detención de caídas está determinada por las condiciones de trabajo y el mantenimiento. Siempre y cuando el producto supere los criterios de inspección, podrá permanecer en servicio.


- 1 Persona calificada:** Una persona con un título o certificado profesional reconocido y una amplia experiencia en la protección contra caídas. Esta persona debe ser capaz de realizar el diseño, el análisis, la evaluación y la especificación en protección contra caídas.
- 2 Persona competente:** Persona capaz de identificar los riesgos existentes y predecibles en los alrededores, o las condiciones de trabajo que son antihigiénicas, riesgosas o peligrosas para los empleados y que, además, está autorizada para tomar medidas correctivas inmediatas para eliminar estos riesgos.

## 6.0 MANTENIMIENTO, REPARACIÓN Y ALMACENAMIENTO

- 6.1 LIMPIEZA:** Limpie en forma periódica los componentes metálicos del anclaje para marcos de puerta con una brocha suave, agua tibia y una solución jabonosa suave. Asegúrese de enjuagar bien las partes con agua limpia.
- 6.2 SERVICIO:** Solo 3M o las entidades autorizadas por escrito por 3M pueden hacer reparaciones a este equipo. Si el anclaje para marcos de puerta ha sido sometido a una fuerza de caída o si la inspección indica que existen condiciones inseguras o defectuosas, retire el sistema del servicio y comuníquese con 3M en relación con su reemplazo o reparación.
- 6.3 ALMACENAMIENTO Y TRANSPORTE:** Cuando no lo utilice, transporte y almacene el anclaje para marcos de puerta y todo el equipo de protección contra caídas asociado en un lugar fresco, seco y limpio, donde no quede expuesto a la luz solar directa. Evite los lugares donde pueda haber vapores de sustancias químicas. Inspeccione minuciosamente los componentes después de que haya estado almacenado por mucho tiempo.

## 7.0 ETIQUETAS

La Figura 9 muestra las etiquetas del anclaje para marcos de puerta. Las etiquetas deben reemplazarse si no son completamente legibles. La información proporcionada en cada etiqueta es la siguiente:

	Lea todas las instrucciones.
①	<p><b>ESPECIFICACIONES:</b> Capacidad: 1 persona, ANSI 140 kg (310 libras) como máximo, OSHA 190 kg (420 libras) como máximo  Fuerza de detención máxima 816 kg (1.800 libras)  Materiales: Anclaje de aluminio, anillo en D de aleación de acero cincado  Normas: Cumple con ANSI Z359.18 Tipo A y OSHA 1926.502 y 1910.140  Resistencia mínima de ruptura: 22,2 kN (5.000 libras) MBS  Temperatura mínima de servicio ANSI -40 °C (-40 °F)</p>
②	<p><b>USO:</b> Vea el manual del usuario para obtener información detallada sobre cómo realizar las conexiones. No permita que las anteaídas rocen bordes afilados durante el uso. Tenga cuidado al usar este equipo cerca de fuentes térmicas, eléctricas o químicas peligrosas. Consulte el manual del usuario para obtener información adicional.</p>
③	<p><b>INSPECCIÓN:</b> Inspeccione el anclaje antes de cada uso. Al menos una vez al mes, una persona competente debe inspeccionar el anclaje del conformidad con el manual de usuario. No lo utilice si la inspección de éstos revela una condición insegura o defectuosa. Este producto no debe ser reparado por el usuario.</p> <p>Este producto está habilitado por RFID y contiene una etiqueta electrónica que se puede leer por medio de lectores compatibles. Dicha etiqueta proporciona información sobre la inspección y seguridad.</p>
④	<p><b>INSTRUCCIONES DE CARGA PERMITIDA:</b> Nunca trabaje en un ángulo horizontal mayor que 30 grados desde la vista perpendicular hasta la superficie del anclaje para marcos de puerta para evitar una carga inapropiada del punto de conexión del anclaje. Nunca trabaje en una posición por encima o por debajo de los puntos de conexión del anclaje que exceda los requisitos de carga vertical.</p>
⑤	<p>Este marco de puerta/ventana debe instalarse en la parte inferior de la abertura de la ventana o de la puerta, y descansar sobre el alféizar. Si el anclaje no descansa sobre el alféizar es posible que gire. Cuando está cargado, haciendo que el anclaje se suelte de la abertura de la ventana o puerta. No prestar atención a esta advertencia puede ocasionar una lesión grave o, incluso, la muerte.</p>
⑥	Normas CE e identificación de organismo notificado
⑦	Mes/año de fabricación y número de lote
⑧	<p>Todos los usuarios deben leer y comprender las instrucciones del fabricante antes de usar el producto. Las instrucciones suministradas con este producto en el momento del envío deben respetarse para un uso, mantenimiento e inspección correctos. La modificación o el uso incorrecto de este producto, así como el incumplimiento de las instrucciones, pueden causar heridas graves o, incluso, la muerte. Realice solo las conexiones compatibles. Vea el manual del usuario.</p>
⑨	Número de modelo del producto
⑩	Ubicación del fabricante
⑪	Una persona como máximo
⑫	Rango de temperatura de uso: -40 °C a 60 °C
⑬	Registro de inspección: Fecha, iniciales

**Tabla 2: Registro de inspección y mantenimiento**

Fecha de inspección:		Inspección realizada por:	
Componentes:	Inspección: (Consulte la frecuencia de inspección en la sección 1)	INSTRUCCIONES PARA EL USUARIO	Persona competente <sup>1</sup>
Anclaje para marcos de puerta (Figura 2)	Revise que el anclaje para marcos de puerta no esté dañado: Busque cualquier señal de fracturas, abolladuras o deformaciones. Controle que el tubo de soporte, el anillo y los mecanismos de ajuste no se doblen ni estén gastados. Asegúrese de que no falten piezas ni estén sueltas.	<input type="checkbox"/>	<input type="checkbox"/>
	Inspeccione los mecanismos de ajuste. El pasador de ajuste grueso debe trabarse al pasarlo por cualquiera de los orificios de ajuste.	<input type="checkbox"/>	<input type="checkbox"/>
	Inspeccione toda la unidad para ver si hay señales de corrosión excesiva. Inspeccione el torque en el tornillo de ajuste fino y apriete si es necesario.	<input type="checkbox"/>	<input type="checkbox"/>
Etiquetas (Figura 10)	Verifique que todas las etiquetas estén colocadas de forma segura y sean legibles (consulte la sección "Etiquetas").	<input type="checkbox"/>	<input type="checkbox"/>
Estructura del anclaje	Inspeccione el marco de la puerta, ventana y/o estructura para asegurarse de que soportan la carga y cumplen con los requisitos de resistencia de la Tabla 1.	<input type="checkbox"/>	<input type="checkbox"/>
PFAS y otros equipos	El equipo adicional del Sistema personal de detención de caídas (PFAS) (arnés, línea de vida autorretráctil, etc.) que se utiliza con el sistema de anclaje Flexiguard debe instalarse e inspeccionarse según las instrucciones del fabricante.	<input type="checkbox"/>	<input type="checkbox"/>
<b>Número(s) de serie:</b>		<b>Fecha de compra:</b>	
<b>Número de modelo:</b>		<b>Fecha de primer uso:</b>	
<b>Medida correctiva/mantenimiento:</b>		Aprobado por:	
		Fecha:	
<b>Medida correctiva/mantenimiento:</b>		Aprobado por:	
		Fecha:	
<b>Medida correctiva/mantenimiento:</b>		Aprobado por:	
		Fecha:	
<b>Medida correctiva/mantenimiento:</b>		Aprobado por:	
		Fecha:	
<b>Medida correctiva/mantenimiento:</b>		Aprobado por:	
		Fecha:	
<b>Medida correctiva/mantenimiento:</b>		Aprobado por:	
		Fecha:	
<b>Medida correctiva/mantenimiento:</b>		Aprobado por:	
		Fecha:	
<b>Medida correctiva/mantenimiento:</b>		Aprobado por:	
		Fecha:	
<b>Medida correctiva/mantenimiento:</b>		Aprobado por:	
		Fecha:	
<b>Medida correctiva/mantenimiento:</b>		Aprobado por:	
		Fecha:	
<b>Medida correctiva/mantenimiento:</b>		Aprobado por:	
		Fecha:	

<sup>1</sup> **Persona competente:** Persona capaz de identificar los riesgos existentes y predecibles en los alrededores, o las condiciones de trabajo que son antihigiénicas, riesgosas o peligrosas para los empleados y que, además, está autorizada para tomar medidas correctivas inmediatas para eliminar estos riesgos.

## SÄKERHETSINFORMATION

SV

Läs igenom, förstå och följ all säkerhetsinformation i denna bruksanvisning innan du använder denna förankringsanslutning. OM DETTA INTE GÖRS KAN DET LEDA TILL ALLVARLIGA SKADOR ELLER DÖDSFALL.

Dessa anvisningar måste tillhandahållas för den som ska använda denna utrustning. Spara dessa instruktioner för framtida referens.

### Avsedd användning:

Denna förankringsanslutning är avsedd att användas som en del av ett komplett personligt fallskyddssystem.

Användning för andra syften, inklusive materialhantering, fritids- och idrottsaktiviteter samt andra aktiviteter som inte beskrivs i bruksanvisningen, godkänns inte av 3M och kan resultera i allvarlig skada eller dödsfall.

Denna enhet ska endast användas av utbildade användare för professionellt bruk.



### VARNING

Denna förankringsanslutning är en del av ett personligt fallskyddssystem. Alla användare förväntas vara fullständigt utbildade i säker installation och användning av sina personliga fallskyddssystem. **Felaktig användning av den här enheten kan resultera i allvarlig skada eller dödsfall.** För korrekt val, användning, installation, underhåll och service hänvisas till denna bruksanvisning och alla rekommendationer från tillverkaren, din arbetsledare eller 3M:s tekniska kundtjänst.

- **Observera följande för att minska risker som är förknippade med en förankringsanslutning och som kan leda till allvarlig personskada eller dödsfall om de inte undviks:**
  - Kontrollera enheten före varje användning, minst en gång per år och efter varje fallhändelse. Utför kontrollen enligt bruksanvisningen.
  - Om inspektion avslöjar ett osäkert eller defekt tillstånd ska du ta anordningen ur drift och reparera eller byta ut den i enlighet med bruksanvisningen.
  - Varje enhet som har utsatts för fallstopp eller fallkraft måste omedelbart tas ur bruk och förstöras.
  - Enheten får endast installeras i de specificerade underlagen eller på strukturer som beskrivs i användaranvisningarna. Installationer och användning utanför omfattningen för dessa anvisningar måste godkännas av 3M Fall Protection.
  - Underlaget eller strukturen i vilken förankringskoppling fästs måste kunna bära de statiska laster som anges för förankringen i de riktningar som är tillåtna enligt bruksanvisningarna.
  - Andra undersystem för fallskydd ska endast anslutas till enhetens utsedda förankringsanslutningspunkt.
  - Säkerställ före borring eller infästning att inga elledningar, gasledningar eller andra kritiska dolda system kommer i kontakt med borren eller utrustningen.
  - Se till att fallskyddssystem och delsystem som är monterade med komponenter från olika tillverkare är kompatibla och uppfyller kraven i tillämpliga standarder, inklusive ANSI Z359 eller andra tillämpliga regler, standarder eller krav på fallskydd. Anlit alltid en kompetent eller kvalificerad person före användning av dessa system.
- **För att minska risker för allvarlig skada eller dödsfall vid arbete på höga höjder:**
  - Se till att din hälsa och fysiska kondition medger att du säkert kan motstå alla krafter i samband med arbete på hög höjd. Rådgör med läkare om du har frågor kring din förmåga att använda den här utrustningen.
  - Överskrid aldrig din fallskyddsutrustnings godkända kapacitet.
  - Överskrid aldrig din fallskyddsutrustnings maximala avstånd för fritt fall.
  - Använd aldrig fallskyddsutrustning som inte godkänts vid inspektion före användning eller andra schemalagda inspektioner, eller om du är osäker på huruvida utrustningen kan användas eller lämpar sig för ditt tillämpningsområde. Vänd dig till 3M:s tekniska kundtjänst med eventuella frågor.
  - Vissa kombinationer av undersystem och komponenter kan störa utrustningens funktionsduglighet. Använd endast kompatibla kopplingar. Rådfråga 3M innan du använder denna utrustning i kombination med andra komponenter eller undersystem än de som beskrivs i bruksanvisningen.
  - Var extra försiktig då du arbetar i närheten av rörligt maskineri (t.ex. topdrive på oljerigg), nära farlig elektrisk utrustning, i extrema temperaturer, nära farliga kemikalier, nära explosiva eller giftiga gaser, nära vassa kanter samt under ovanliggande material som kan falla ner på dig eller din fallskyddsutrustning.
  - Använd Arc Flash- eller Hot Works-enheter vid arbete i miljöer med höga temperaturer.
  - Undvik ytor och föremål som kan skada användare eller utrustning.
  - Se till att det finns tillräcklig fallmarginal vid arbete på höga höjder.
  - Du skall aldrig modifiera eller ändra din fallskyddsutrustning. Endast 3M eller av 3M skriftligen auktoriserade parter får utföra reparationer på utrustningen.
  - Innan du använder fallskyddsutrustning skall du kontrollera att det finns en räddningsplan som medger snabb räddning vid eventuellt fall.
  - Vid fall bör arbetaren som fallit få omedelbar läkarvård.
  - Ett kroppsbälte får ej användas för fallstoppstillämpningar. Använd endast helkroppsselar.
  - Minimera risken för pendelfall genom att arbeta med förankringspunkten så rakt ovanför dig som möjligt.
  - Vid utbildning i användning av den här enheten måste ett andra fallskyddssystem användas för att inte utsätta personen som utbildas för en oavsiktlig fallrisk.
  - Använd alltid lämplig personlig skyddsutrustning vid installation, användning eller inspektion av enheten/systemet.

Anteckna produktens identitetsuppgifter som finns på ID-etiketten i besiktnings- och underhållsloggen (tabell 2) på baksidan av denna bruksanvisning innan utrustningen installeras och används.

## PRODUKTBESKRIVNING:

Figur 1 visar 3M™ DBI-SALA™ dörrpostankare. Dörrpostankaret är en enpunkts förankringskoppling som installeras i en dörr- eller fönsteröppning.

Figur 2 visar dörrpostankarets delar. Se tabell 1 angående specifikationer. Dörrpostankaret består av ett stödrör (A) med ett fast ben (B) och ett justerbart ben (C) som kan skjutas i förhållande till stödröret för inpassning i dörr- eller fönsteröppningen. I det justerbara benet finns justeringshål och ankarets bredd ställs in genom låsning med en sprint (D) När det justerbara benet har låsts i läge dras en finjusteringskriv med en fot (E) åt så att ankaret spänns fast i dörr- eller fönsteröppningen. En D-ring på stödröret fungerar som kopplingspunkt för en livlina eller ett SRL-block.

### Tabell 1 – Specifikationer

Systemspecifikationer:			
<b>Kapacitet:</b>	<b>ANSI/CE:</b> 1 person med totalvikt (inklusive klädsel, verktyg osv.) högst 140 kg (310 lb). <b>OSHA:</b> 1 person med totalvikt (inklusive klädsel, verktyg osv.) högst 190 kg (420 lb).		
<b>Förankringshållfasthet:</b>	<b>ANSI/OSHA</b>	<b>Fallstopp:</b> Det bärverk som förankringskopplingen är fäst i måste bära statiska belastningar som anbringas via fallskyddssystemet på minst: 16 kN (3 600 lb) med godkännande av en kvalificerad person <sup>1</sup> eller 22 kN (5 000 lb) utan godkännande. Om mer än ett personligt fallskyddssystem (PFAS) är kopplat till förankringen måste de statiska lasterna multipliceras med antalet PFAS som är kopplade till förankringen.	
	<b>CE EN795</b>	<input checked="" type="checkbox"/> <b>Från OSHA 1926.500 och 1910.66:</b> Förankringar som används för festsättning av personliga fallskyddssystem måste vara fristående från alla förankringar som används för stöd eller upphängning av plattformar och bära minst 22 kN per kopplad användare, eller vara konstruerade, installerade och användas som en del av ett komplett personligt fallstoppssystem med en säkerhetsfaktor minst 2, övervakad av en kompetent person <sup>2</sup> .  <b>Fallbegränsning:</b> Konstruktionen som förankringskopplingen fästs i måste bära minst 13 kN (3 000 lb) statisk belastning i de riktningar som fallbegränsningssystemet tillåter. När mer än ett fallbegränsningssystem är kopplat till en förankring, måste tillåten statisk last multipliceras med det antal fallbegränsningssystem som är kopplade till förankringen.	
<b>Arbetstemperatur:</b>	-40 °C (-40 °F)		
<b>Förankringskopplingens brottstyrka:</b>	Minsta brottstyrka: 22 kN (5 000 lb)		
<b>Dörr- fönsteröppningens bredd:</b>	Se figur 1: Minsta bredd: 54,6 cm (21,5"), Största bredd: 129,5 cm (51")		
<b>Mått:</b>	Se figur 1		
<b>Vikt:</b>	6,3 kg (14,0 lb)		
Komponentspecifikationer:			
Figur 2 hänvisning	Komponent	Material	Anmärkningar
Ⓐ	Stödrör	Aluminium	
Ⓑ	Fast ben	Rör: aluminiumrör Fot: stål Dyna: gummi	
Ⓒ	Justerbart ben	Aluminium	
Ⓓ	Låssprint	Stål	
Ⓔ	Finjusteringsvred	Vred: stål Skruv: stål Fot: stål Dyna: gummi	
Ⓕ	D-ring	Stållegering	Draghållfasthet 22,2 kN (5 000 lb)

<sup>1</sup> **Kvalificerad person:** En person med intygad professionell nivå eller yrkescertifikat och stor erfarenhet av fallskydd. Personen skall vara väl insatt i konstruktion, analys, utvärdering och specifikation av fallskydd.



## 1.0 PRODUKTANVÄNDNING

- 1.1 SYFTE:** Förankringskopplingar är konstruerade för att ge tillgång till förankringspunkter för fallstoppsystem<sup>1</sup> eller fallhindrande <sup>2</sup>system: Begränsning, arbetspositionering, persontransport, räddning osv.

**Endast fallskydd:** Denna förankringskoppling är avsedd för koppling av en fallskyddsutrustning. Koppla inte lyftutrustning till denna förankringskoppling.

- 1.2 STANDARDS:** Din förankringskoppling överensstämmer med de nationella standarder som återges på framsidan av dessa instruktioner. Om denna produkt återförsäljs utanför det ursprungliga mottagarlandet, måste återförsäljaren tillhandahålla denna bruksanvisning på språket i det land där produkten kommer att användas.
- 1.3 ÖVERVAKNING:** Installation av denna utrustning måste övervakas av en kompetent person<sup>3</sup>. Användning av denna utrustning måste övervakas av en kompetent person<sup>4</sup>.
- 1.4 UTBILDNING:** Denna utrustning måste installeras och användas av personer som är utbildade för korrekt användning av den. Denna bruksanvisning ska användas som en del i ett personalutbildningsprogram enligt CE-kraven. Det är de som använder och installerar denna utrustning som ansvarar för att säkerställa att de är förtrogna med dessa anvisningar, utbildade för korrekt skötsel och användning av denna utrustning samt medvetna om driftsegenskaperna, tillämpningsbegränsningar och konsekvenserna av felaktig användning av denna utrustning.
- 1.5 RÄDDNINGSPÅN:** När denna utrustning och anslutande undersystem används ska arbetsgivaren ha en räddningsplan och resurser tillgängliga för att tillämpa och informera användare, behöriga personer<sup>5</sup> och räddningspersonal<sup>6</sup> om planen. Ett utbildat räddningsteam på plats rekommenderas. Teamets medlemmar ska förse med utrustning och metoder för att utföra en framgångsrik räddningsoperation. Regelbunden utbildning ska tillhandahållas för att säkerställa räddningspersonalens kompetens.
- 1.6 BESIKTNINGSINTERVALL:** Förankringskopplingen ska besiktas av användaren före varje användning och dessutom av en kompetent person, annan än användaren, minst en gång per år.<sup>7</sup> Besiktningsspecifika beskrivs i "Besiktning- och underhållslogg". Resultatet av varje kompetent persons besiktning ska registreras på kopior av "Besiktning- och underhållslogg".
- 1.7 EFTER ETT FALL:** Kopplingselement för förankringskoppling som har utsatts för fallstoppskrafter, skall omgäende det tas ur bruk och förstöras.

## 2.0 SYSTEMKRAV

- 2.1 FÖRANKRING:** Kraven på förankring varierar mellan olika fallskyddstillämpningar. Den konstruktion som förankringskopplingen placeras eller monteras på måste uppfylla de i tabell 1 definierade förankrings-specifikationerna.
- 2.2 PERSONLIGT FALLSKYDDSSYSTEM:** Användningen av förankringskopplingen illustreras i figur 1. Personliga fallskyddssystem (PFAS), som används tillsammans med denna utrustning, måste uppfylla tillämpliga standarder och anvisningar. Se instruktionerna som medföljer livlinan eller SRL-blocket angående begränsningar för fritt fall. Det personliga fallskyddssystemet (PFAS) skall innefatta en helkroppssele och får utsättas för följande högsta tillåtna fallstoppkrafter (MAF):

	ANSI/OSHA	CE
PFAS med stötdämpande lina	4 kN (900 lb)	6 kN (1 350 lb)
PFAS med självindragande lina (SRL)	4 kN	6 kN (1 350 lb)

- 2.3 FALLVÄG OCH SRL-LÅSNINGSHASTIGHET:** Fri fallväg är nödvändigt för att säker låsning av SRL-blocket ska kunna garanteras. Arrangemang som inte medger obehindrad fallväg bör undvikas. Arbete i begränsade eller trånga utrymmen kan innebära att kroppen inte når tillräckligt hög hastighet för att SRL-blocket ska låsas vid ett fall. Arbete på långsamt glidande material, t.ex. sand eller spannmål, kan innebära att tillräcklig hastighet inte uppnås för att SRL-blocket ska låsa vid ett fall.
- 2.4 RISKER:** Vid användning av utrustningen på platser med miljöfaror kan ytterligare försiktighetsåtgärder krävas för att undvika att användare eller utrustning skadas. Faror kan inkludera men är inte begränsade till: hetta, kemikalier, korrosiva miljöer, kraftledning för högspänning, explosiva eller giftiga gaser, rörliga maskiner, vassa kanter eller material på högre höjd som kan falla ned och träffa användaren eller fallskyddssystemet.
- 2.5 FALLMARGINAL:** Komponenter för fallstopp illustreras i figur 3. Det måste finnas tillräcklig fallmarginal (FC) för att stoppa ett fall innan användaren slår i marken eller annat föremål. Marginalen bestäms av ett antal faktorer inklusive: (A) Förankringspunkt, (B) livlinans längd, (C) livlinans retardationstojning eller SRL-blockets fångstavstånd, (D) selens töjning och kopplingarnas (D-ring/koppling) längd och sättning (vanligen med säkerhetsfaktor 1 m). Se anvisningar som hör till fallskyddssystemet för uppgifter angående beräkning av fallmarginal.

**1 Fallskyddssystem:** En uppsättning av fallskyddsutrustning arrangerad för att stoppa fritt fall.

**2 Fallhindrande system:** En uppsättning av fallskyddsutrustning arrangerad för att hindra att en persons tyngdpunkt når en position med fallrisk.

**3 Kvalificerad person:** En person med intygad professionell nivå eller yrkescertifikat och stor erfarenhet av fallskydd. Personen skall vara väl insatt i konstruktion, analys, utvärdering och specifikation av fallskydd.

**4 Kompetent person:** En person som kan identifiera befintliga och förutsägbara risker i omgivningarna, eller arbetsförhållanden som är hälsovådliga, riskfyllda eller farliga för anställda och som har behörighet att vidta omedelbara korrigerande åtgärder för att eliminera dessa.

**5 Behörig person:** För att uppfylla Z359-standarderna, ska en person som utsetts av arbetsgivaren utföra arbetet på platser där personen kommer att utsättas för fallrisk.

**6 Räddare:** Person eller personer, andra än den nödställda, som deltar i utförandet av en räddning med hjälp av ett räddningssystem.

**7 Besiktningintervall:** Extrema arbetsförhållanden (hård miljö, lång tids användning m.m.) kan kräva tätare besiktningar av kompetent person.

**2.6 PENDELFALL:** Pendelfall kan inträffa när förankringspunkten inte ligger rakt ovanför den punkt där ett fall sker (se figur 4). Kraften då ett föremål träffas i pendelfall kan orsaka allvarlig personskada eller dödsfall. Minimera risken för pendelfall genom att arbeta med förankringspunkten så rakt ovanför dig som möjligt. Låt inte pendelfall uppstå om det finns risk för personskada. Pendelfall medför en betydligt högre fallmarginal än vad som krävs för en självindragande livlina eller annat undersystem med variabel längd.

**2.7 KOMPONENTERS KOMPATIBILITET:** Om inget annat anges är 3M-utrustning endast utformad för komponenter och undersystem som är godkända av 3M. Ersättning eller utbyte mot icke godkända komponenter eller undersystem kan äventyra utrustningens kompatibilitet och även påverka hela systemets säkerhet och tillförlitlighet.

**2.8 KOPPLINGARS KOMPATIBILITET:** En koppling anses vara kompatibel med kopplingselement om den är konstruerad för att fungera i kombination på ett sätt så att kopplingens storlek och form inte orsakar att öppningsmekanismen kan öppnas oavsiktligt, oavsett i vilken riktning den vänds. Kontakta 3M om du har frågor om kompatibilitet.

Anslutningar (hakar, karbinhakar och D-ringar) måste ha kapacitet att bära upp minst 22,2 kN . Kopplingar måste vara kompatibla med förankringar eller andra systemkomponenter. Använd inte utrustning som inte är kompatibel. Icke-kompatibla kopplingar kan lossna av misstag (se figur 5). Kopplingar måste vara kompatibla i storlek, form och styrka. Om ett kopplingselement som en automatkrok eller karbinkrok fästs i är underdimensionerat eller har felaktig form, kan en situation uppstå där kopplingselementet anbringar en kraft på automatkrokens eller karbinkrokens (A) öppningsmekanism. Denna kraft kan orsaka att öppningsmekanismen öppnas (B), vilket medför att automatkroken eller karbinkroken kan lossna från kopplingspunkten (C).

Självlåsandande automatkrokar och karbinhakar krävs enligt ANSI Z359 och OSHA.

**2.9 ATT KOPPLA:** Automatkrokar och karbinkrokar som används med denna utrustning skall vara självlåsandande. Kontrollera att alla kopplingar är kompatibla i storlek, form och styrka. Använd inte utrustning som inte är kompatibel. Kontrollera att alla kopplingar är helt stängda och låsta.

3M:s kopplingar (automatkrokar och karbinhakar) är endast avsedda att användas enligt produkternas respektive bruksanvisningar. Olämpliga kopplingar visas i figur 6. Anslut inte automatkrokar och karbinkrokar:

- A. Till en D-ring som har en annan koppling ansluten.
- B. På ett sätt som skulle orsaka en belastning på öppningsmekanismen. Automatkrokar med stora öppningar ska inte anslutas till D-ringar i standardstorlek eller liknande föremål eftersom det orsakar en belastning på öppningsmekanismen om haken eller D-ringen vrids eller roterar, såvida inte automatkroken är utrustad med en öppningsmekanism som klarar 16 kN. Kontrollera automatkrokens märkning för att avgöra om den passar för din tillämpning.
- C. I en falsk fastkoppling, där delar som sticker ut på automatkroken eller karbinkroken fastnar i förankringen, och utan visuell bekräftelse tycks vara helt fastkopplade i förankringspunkten.
- D. Till varandra.
- E. Direkt till vävband, fästlinor eller omtagslinor (såvida inte tillverkarens instruktioner för både kopplingslinan och anslutningen specifikt tillåter sådan anslutning).
- F. Till ett föremål som har sådan form eller storlek att automatkroken eller karbinhaken inte stängs, eller om det finns risk för utrullning.
- G. På ett sätt som inte tillåter kopplingen att sitta rakt under lasten.

### 3.0 INSTALLATION

För att en förankringspunkt ska vara godkänd krävs att konstruktionen som förankringskopplingen fästs i har utformats eller godkänts av en kvalificerad person<sup>1</sup>. En förankringspunkt som inte är godkänd kan godkännas av en kompetent person<sup>2</sup> (se Tabell 1).

**3.1 PLANERING:** Gör en plan för fallskyddssystemet före montering av dörrpostankaret. Beakta alla faktorer som kan påverka användarens säkerhet före, under och efter ett fall. Ta hänsyn till alla krav, begränsningar och specifikationer som anges i avsnitt 2 och tabell 1.

**3.2 INSTALLERA DÖRRPOSTANKARET:** Dörrpostankaret kan installeras på alla dörr- eller fönsterkarmar med tillräcklig bredd och största bredder som uppfyller angivna förankringskrav (se Tabell 1). Figur 7 visar installation av dörrpostankare. För installation av dörrpostankare:

1. Justera dörrpostankaret så att det passar i den önskade öppningen genom att ta bort spärrsprinten och skjuta det justerbara benet mot D-ringen. Vrid finjusteringsvredet moturs tills foten vilar an mot stödröret
2. Placera dörrpostankaret i dörr- eller fönsteröppningen med D-ringen vänd mot området där arbetet skall utföras. Det justerbara benet kan placeras på antingen vänster eller höger sida om öppningen. Dörrpostankaret måste vila mot botten av fönster- eller dörröppningen. Försök inte att installera dörrpostankaret på en plats där det inte stöds av golvet eller fönsterposten.
3. Skjut det justerbara benet så nära dörr- eller fönsterposten som möjligt och sätt in spärrsprinten i det närmaste av justeringshålen. Spänn fast ankaret lätt i dörr- eller fönsteröppningen genom att dra åt finjusteringsratten. Dörrpostankaret måste sitta stadigt fast efter installation.

### 4.0 ANVÄNDNING

**4.1 FÖRE VARJE ANVÄNDNING:** Kontrollera att arbetsområdet och det personliga fallskyddssystemet (PFAS) uppfyller alla villkor som definieras i avsnitt 2 och att en formell räddningsplan har upprättats. Kontrollera dörrpostankaret enligt "Användarens kontrollpunkter"- som finns i "Besiktning- och underhållslogg" (Tabell 2). Använd inte systemet om ett osäkert eller defekt tillstånd upptäcks vid besiktning. Ta systemet ur drift och förstör det eller kontakta 3M avseende utbyte eller reparation.

**4.2 FALLSTOPPSANSLUTNINGAR:** Dörrpostankaret används med en helkroppssele och energiabsorberande livlina eller självindragande livlina (SRL-block). Figur 10 visar koppling av livlinan (A) eller SRL-blocket (B) mellan selen och dörrpostankaret. Koppla livlinan eller SRL-blocket mellan dörrpostankarets D-ring och selens bakre D-rings enligt instruktioner som medföljer livlinan eller SRL-blocket.

**Säkert arbetsområde:** Figur 8 visar säkert arbetsområde för dörrpostankaret. Arbeta aldrig med en vinkel större än 30° mellan livlinan och en tänkt linje vinkelrätt mot dörrpostankarets utsträckning, för att undvika olämplig belastning av ankarets kopplingspunkt (se Figur 2). Arbeta aldrig i en position ovanför eller nedanför ankarets kopplingspunkt så att tillåten vertikal belastning på ankaret överskrider enligt illustration i Figur 2.

### 5.0 BESIKTNING

**5.1 BESIKTNINGSINTERVALL:** Dörrpostankaret skall besiktas med de intervaller som anges i avsnitt 1. Besiktningrutinerna beskrivs i "Besiktning- och underhållsloggen" (tabell 2). Kontrollera alla övriga komponenter i fallskyddssystemet med de intervall och procedurer som definieras i tillverkarens anvisningar.

**RFID-tag:** Dörrpostankaret är försett med en RFID-tag för radiofrekvensidentifiering. RFID-taggen kan användas tillsammans med bärbar avläsningsenhet för att förenkla besiktning, inventering och upprättande av protokoll för fallskyddsutrustningen.

**5.2 DEFEKTER:** Om osäkra eller defekta tillstånd upptäcks under besiktningen skall den dörrpostankaret omgående tas ur bruk och 3M kontaktas för utbyte eller reparation. Gör inga försök att reparera fallskyddssystemet.

**Får endast repareras av auktoriserad verkstad:** ENDAST 3M eller skriftligen auktoriserade parter får utföra reparationer på utrustningen.

**5.3 PRODUKTENS LIVSLÄNGD:** Fallskyddssystemets livslängd avgörs av arbetsförhållanden och underhåll. De får användas så länge de uppfyller besiktningsskraven.

### 6.0 UNDERHÅLL, SERVICE, FÖRVARING

**6.1 RENGÖRING:** Rengör regelbundet dörrpostankarets metalldelar med en mjuk borste, varmt vatten och mild tvållösning. Se till att delarna sköljs grundligt med rent vatten.

**6.2 SERVICE:** Endast 3M eller parter med skriftligt godkännande från 3M får reparera utrustningen. Ta systemet ur bruk och kontakta 3M för utbyte eller reparation om dörrpostankaret har utsatts för fallstoppkraft eller vid kontroll visar tecken på osäkert eller defekt tillstånd.


**6.3 FÖRVARING OCH TRANSPORT:** Förvara dörrpostankaret och tillhörande fallskyddsutrustning på sval, torr och ren plats skyddat mot direkt solljus när det inte används. Undvik platser där det kan finnas kemiska ångor. Kontrollera komponenterna noggrant efter långvarig förvaring.

**1 Kvalificerad person:** En person med intygad professionell nivå eller yrkescertifikat. En stor erfarenhet av fallskydd. Personen skall vara väl insatt i konstruktion, analys, utvärdering och specifikation av fallskydd.

**2 Kompetent person:** En person som kan identifiera befintliga och förutsägbara risker i omgivningarna, eller arbetsförhållanden som är hälsovådliga, riskfyllda eller farliga för anställda och som har behörighet att vidta omedelbara korrigerande åtgärder för att eliminera dessa.

## 7.0 ETIKETTER

Etiketter på dörrpostankaret visas i figur 12. Etiketter som inte är helt läsliga skall bytas ut. Följande information finns på etiketterna:

	Läs alla instruktioner.
①	<p>Specifikationer: Kapacitet: 1 Person, ANSI 140 kg (310 lb) max, OSHA 190 kg (420 lb) max.  Högsta tillåtna fallstoppkraft 1 800 lb  Material: Aluminiumankare, D-ring i förzinkad stållegering  Standarder: Uppfyller ANSI Z359.18 Typ A och OSHA 1926.502 och 1910.140  Minsta brottstyrka: 22 kN (5 000 lb)  Lägsta användningstemperatur enligt ANSI -40 °C</p>
②	<p>ANVÄNDNING: Se användarhandboken angående information om kopplingar. Låt inte livlinan nötas mot skarpa kanter under användning. Försiktighet skall iakttas vid användning av denna utrustning i närheten av höga temperaturer, elfara eller kemikalier. Användarhandboken innehåller ytterligare information.</p>
③	<p>BESIKTNING: Besikta ankaret före varje användning. Ankaret skall besiktas minst varje månad av en kompetent person enligt användarhandboken. Får inte användas om bristande säkerhet eller defekter har upptäckts vid besiktning. Kan ej repareras av användare.</p> <p>Denna produkt har RFID-märkning och innehåller en elektronisk tagg som kan avläsas av kompatibla läsare för framtagning av besiktningslogg, inventarieadministration och annan säkerhetsinformation.</p>
④	<p>TILLÅTNA BELASTNINGSDIRIKTIONAR: Arbeta aldrig med en horisontell vinkel större än 30° mellan livlinan och en tänkt linje vinkelrätt mot dörrpostankarets utsträckning, för att undvika olämplig belastning av ankarets kopplingspunkt. Arbeta aldrig i en position ovanför eller nedanför ankarets kopplingspunkt så att tillåten vertikal belastning på ankaret överskrids.</p>
⑤	<p>Det här dörrpostankaret måste installeras längst ner i fönster- eller dörröppningen och vila på tröskeln. Om ankaret inte vilar mot tröskeln kan det rotera. Med belastning kan ankaret lossna från fönster- eller dörröppningen. Underlåtenhet att iakttaga den här varningen kan leda till allvarlig skada eller dödsfall.</p>
⑥	Standard för CE-märkning och underrättad myndighet
⑦	Tillverkad månad/år och serienummer
⑧	<p>Tillverkarens instruktioner måste läsas och förstås före användning. Tillverkarens instruktioner som medföljer produkten vid leverans måste följas för korrekt användning, underhåll och besiktning. Ändring, felaktig användning av produkten, eller förbiseende av instruktionerna, kan leda till allvarlig personskada eller dödsfall. Gör endast överensstämmande förbindelser. Se användarhandboken.</p>
⑨	Produktens modellbeteckning
⑩	Tillverkarens adress
⑪	Högst en användare.
⑫	Användningstemperatur: -40 °C till 60 °C
⑬	Besiktningslogg: Datum, signatur

**Tabell 2 – Besiktnings- och underhållslogg**

Besiktningsdatum:		Besiktning utförd av:	
Komponenter:	Besiktning: (Se avsnitt 1 avseende besiktningsintervall)	Användare	Kompetent person <sup>1</sup>
Dörrpostankare (Figur 2)	Kontrollera dörrpostankaret med avseende på skada: Leta efter sprickor, bucklor eller deformationer. Leta efter böjning eller nötning på stödrör, D-ring och justeringsmekanismer. Säkerställ att inga delar är lösa eller saknas.	<input type="checkbox"/>	<input type="checkbox"/>
	Kontrollera justeringsmekanismerna. Låssprinten måste låsa när den sätts i något av justeringshålen.	<input type="checkbox"/>	<input type="checkbox"/>
	Kontrollera hela enheten med avseende på skadlig korrosion. Kontrollera finjusteringskruvens åtdragningsmoment och efterdra vid behov.	<input type="checkbox"/>	<input type="checkbox"/>
Etiketter (figur 10)	Kontrollera att alla etiketter sitter säkert fast och är läsbara (se "Etiketter")	<input type="checkbox"/>	<input type="checkbox"/>
Förankringskonstruktion	Kontrollera att dörrkarm, fönster och/eller konstruktion är lastbärande och uppfyller alla belastningskrav i tabell 1.	<input type="checkbox"/>	<input type="checkbox"/>
PFAS och övrig utrustning	Ytterligare utrustning i personligt fallskyddssystem (PFAS) (sele, SRL-block osv.), som används tillsammans med Flexiguard förankringssystem, ska installeras och besiktas enligt tillverkarens instruktioner.	<input type="checkbox"/>	<input type="checkbox"/>
<b>Serienummer:</b>		<b>Inköpsdatum:</b>	
<b>Modellnummer:</b>		<b>Datum för första användning:</b>	
<b>Korrigerande åtgärd/underhåll:</b>		Godkänt av:	
		Datum:	
<b>Korrigerande åtgärd/underhåll:</b>		Godkänt av:	
		Datum:	
<b>Korrigerande åtgärd/underhåll:</b>		Godkänt av:	
		Datum:	
<b>Korrigerande åtgärd/underhåll:</b>		Godkänt av:	
		Datum:	
<b>Korrigerande åtgärd/underhåll:</b>		Godkänt av:	
		Datum:	
<b>Korrigerande åtgärd/underhåll:</b>		Godkänt av:	
		Datum:	
<b>Korrigerande åtgärd/underhåll:</b>		Godkänt av:	
		Datum:	
<b>Korrigerande åtgärd/underhåll:</b>		Godkänt av:	
		Datum:	
<b>Korrigerande åtgärd/underhåll:</b>		Godkänt av:	
		Datum:	
<b>Korrigerande åtgärd/underhåll:</b>		Godkänt av:	
		Datum:	
<b>Korrigerande åtgärd/underhåll:</b>		Godkänt av:	
		Datum:	
<b>Korrigerande åtgärd/underhåll:</b>		Godkänt av:	
		Datum:	

**1 Kompetent person:** En person som kan identifiera befintliga och förutsägbara risker i omgivningarna, eller arbetsförhållanden som är hälsovådliga, riskfyllda eller farliga för anställda och som har behörighet att vidta omedelbara korrigerande åtgärder för att eliminera dessa.

<p align="center"><b>U.S. PRODUCT WARRANTY, LIMITED REMEDY AND LIMITATION OF LIABILITY</b></p> <p><b>WARRANTY:</b> THE FOLLOWING IS MADE IN LIEU OF ALL WARRANTIES OR CONDITIONS, EXPRESS OR IMPLIED, INCLUDING THE IMPLIED WARRANTIES OR CONDITIONS OF MERCHANTABILITY OR FITNESS FOR A PARTICULAR PURPOSE.</p> <p>Unless otherwise provided by applicable law, 3M fall protection products are warranted against factory defects in workmanship and materials for a period of one year from the date of installation or first use by the original owner.</p> <p><b>LIMITED REMEDY:</b> Upon written notice to 3M, 3M will repair or replace any product determined by 3M to have a factory defect in workmanship or materials. 3M reserves the right to require product be returned to its facility for evaluation of warranty claims. This warranty does not cover product damage due to wear, abuse, misuse, damage in transit, failure to maintain the product or other damage beyond 3M's control. 3M will be the sole judge of product condition and warranty options.</p> <p>This warranty applies only to the original purchaser and is the only warranty applicable to 3M's fall protection products. Please contact 3M's customer service department at 800-328-6146 or via email at 3MFallProtection@mmm.com for assistance.</p> <p><b>LIMITATION OF LIABILITY:</b> TO THE EXTENT PERMITTED BY APPLICABLE LAW, 3M IS NOT LIABLE FOR ANY INDIRECT, INCIDENTAL, SPECIAL OR CONSEQUENTIAL DAMAGES INCLUDING, BUT NOT LIMITED TO LOSS OF PROFITS, IN ANY WAY RELATED TO THE PRODUCTS REGARDLESS OF THE LEGAL THEORY ASSERTED.</p>	<p align="center"><b>GLOBAL PRODUCT WARRANTY, LIMITED REMEDY AND LIMITATION OF LIABILITY</b></p> <p><b>WARRANTY:</b> THE FOLLOWING IS MADE IN LIEU OF ALL WARRANTIES OR CONDITIONS, EXPRESS OR IMPLIED, INCLUDING THE IMPLIED WARRANTIES OR CONDITIONS OF MERCHANTABILITY OR FITNESS FOR A PARTICULAR PURPOSE.</p> <p>Unless otherwise provided by local laws, 3M fall protection products are warranted against factory defects in workmanship and materials for a period of one year from the date of installation or first use by the original owner.</p> <p><b>LIMITED REMEDY:</b> Upon written notice to 3M, 3M will repair or replace any product determined by 3M to have a factory defect in workmanship or materials. 3M reserves the right to require product be returned to its facility for evaluation of warranty claims. This warranty does not cover product damage due to wear, abuse, misuse, damage in transit, failure to maintain the product or other damage beyond 3M's control. 3M will be the sole judge of product condition and warranty options.</p> <p>This warranty applies only to the original purchaser and is the only warranty applicable to 3M's fall protection products. Please contact 3M's customer service department in your region for assistance.</p> <p><b>LIMITATION OF LIABILITY:</b> TO THE EXTENT PERMITTED BY LOCAL LAWS, 3M IS NOT LIABLE FOR ANY INDIRECT, INCIDENTAL, SPECIAL OR CONSEQUENTIAL DAMAGES INCLUDING, BUT NOT LIMITED TO LOSS OF PROFITS, IN ANY WAY RELATED TO THE PRODUCTS REGARDLESS OF THE LEGAL THEORY ASSERTED.</p>
<p align="center"><b>GARANTIE INTERNATIONALE DU PRODUIT, RECOURS LIMITÉ ET LIMITATION DE RESPONSABILITÉ</b></p> <p><b>GARANTIE :</b> CE QUI SUIVIT REMPLACE TOUTES LES GARANTIES OU CONDITIONS, EXPRESSES OU IMPLICITES, Y COMPRIS LES GARANTIES OU LES CONDITIONS IMPLICITES RELATIVES À LA QUALITÉ MARCHANDE ET À L'ADAPTATION À UN USAGE PARTICULIER.</p> <p>Sauf disposition contraire de la loi, les produits de protection antichute 3M sont garantis contre tout défaut de fabrication en usine et de matériaux pour une période d'un (1) an à compter de la date d'installation ou de la première utilisation par le propriétaire initial.</p> <p><b>RECOURS LIMITÉ :</b> Moyennant un avis écrit à 3M, 3M réparera ou remplacera tout produit présentant un défaut de fabrication en usine ou de matériaux, tel que déterminé par 3M. 3M se réserve le droit d'exiger le retour du produit dans ses installations afin d'évaluer la réclamation de garantie. Cette garantie ne couvre pas les dommages au produit résultant de l'usage, d'un abus ou d'une mauvaise utilisation, les dommages subis pendant l'expédition, le manque d'entretien du produit ou d'autres dommages en dehors du contrôle de 3M. 3M jugera seul de l'état du produit et des options de garantie.</p> <p>Cette garantie s'applique uniquement à l'acheteur initial et est la seule garantie applicable aux produits de protection antichute de 3M. Veuillez communiquer avec le service à la clientèle de 3M de votre région pour obtenir de l'aide.</p> <p><b>LIMITATION DE RESPONSABILITÉ :</b> DANS LES LIMITES PRÉVUES PAR LES LOIS LOCALES, 3M NE SERA TENU POUR RESPONSABLE DE TOUT DOMMAGE INDIRECT, ACCESSOIRE, SPÉCIFIQUE OU CONSÉCUTIF INCLUANT, SANS S'Y LIMITER, LA PERTE DE PROFIT, LIÉS DE QUELQUE MANIÈRE AUX PRODUITS, QUELLE QUE SOIT LA THÉORIE LÉGALE INVOQUÉE.</p>	<p align="center"><b>GARANTIE PRODUIT INTERNATIONALE, RECOURS LIMITÉ ET LIMITATION DE LA RESPONSABILITÉ</b></p> <p><b>GARANTIE :</b> LES DISPOSITIONS SUIVANTES SONT PRISES EN LIEU ET PLACE DE TOUTES LES GARANTIES OU CONDITIONS, EXPRESSES OU IMPLICITES, Y COMPRIS LES GARANTIES OU CONDITIONS IMPLICITES DE QUALITÉ MARCHANDE OU D'ADAPTATION À UN USAGE SPÉCIFIQUE.</p> <p>À moins d'un conflit avec une législation locale, les produits antichute de 3M sont garantis contre les défauts de fabrication en usine et de matériaux pendant une période d'un an à compter de la date d'installation ou de la première utilisation par le propriétaire initial.</p> <p><b>RECOURS LIMITÉ :</b> Sur demande écrite à 3M, 3M s'engage à réparer ou remplacer tout produit considéré par 3M comme souffrant d'un défaut de fabrication en usine ou de matériaux. 3M se réserve le droit d'exiger que le produit lui soit retourné pour une évaluation de la réclamation au titre de la garantie. Cette garantie ne couvre pas les dommages du produit liés à l'usage, aux abus, à la mauvaise utilisation, aux dommages liés aux transports, au manque d'entretien du produit ou tout autre dommage indépendant du contrôle de 3M. 3M sera l'unique juge de la condition du produit et des options de la garantie.</p> <p>Cette garantie ne s'applique qu'au propriétaire initial et elle constitue l'unique garantie s'appliquant aux produits antichute de 3M. Veuillez contacter le service à la clientèle 3M de votre région pour obtenir de l'assistance.</p> <p><b>LIMITATION DE LA RESPONSABILITÉ :</b> DANS LES MESURES PERMISES PAR LA LÉGISLATION LOCALE, 3M N'EST PAS RESPONSABLE POUR TOUT DOMMAGE INDIRECT, ACCESSOIRE, SPÉCIFIQUE OU CONSÉCUTIF, Y COMPRIS, MAIS SANS S'Y LIMITER, LA PERTE DE PROFITS, LIÉE DE QUELQUE MANIÈRE QUE CE SOIT AUX PRODUITS, MALGRÉ LA THÉORIE JURIDIQUE REVENDIQUÉE.</p>
<p align="center"><b>GARANTÍA GLOBAL DEL PRODUCTO, REPARACIONES LIMITADAS Y LIMITACIÓN DE RESPONSABILIDAD</b></p> <p><b>GARANTÍA:</b> EL SIGUIENTE TEXTO SIRVE A MODO DE GARANTÍA O CONDICIÓN, EXPLÍCITA O IMPLÍCITA, E INCLUYE LAS GARANTÍAS O CONDICIONES IMPLÍCITAS DE COMERCIABILIDAD O APTITUD PARA UN PROPÓSITO ESPECÍFICO.</p> <p>A menos que las leyes locales indiquen lo contrario, los productos de protección contra caídas 3M tienen garantía por defectos de fábrica en la mano de obra y en los materiales durante un período de un año desde la fecha de instalación o desde el primer uso del propietario original.</p> <p><b>REPARACIONES LIMITADAS:</b> 3M reparará o reemplazará un producto si determina que tiene un defecto de fábrica en la mano de obra o en los materiales y tras haber recibido una notificación por escrito sobre el presunto defecto. 3M se reserva el derecho de exigir la devolución del producto a sus instalaciones para evaluar los reclamos sobre la calidad. Esta garantía no cubre los daños ocasionados por el desgaste, el abuso, el mal mantenimiento, o como consecuencia del traslado del producto, u otros daños ajenos al control de 3M. 3M será el único capaz de determinar la condición del producto y las opciones de la garantía.</p> <p>Esta garantía solo se aplica al comprador original y es la única garantía válida para los productos de protección contra caídas 3M. Comuníquese con el departamento de servicio al cliente de 3M de su región para obtener ayuda.</p> <p><b>LIMITACIÓN DE RESPONSABILIDAD:</b> EN LA MEDIDA PERMITIDA POR LAS LEYES LOCALES, 3M NO SERÁ RESPONSABLE DE LOS DAÑOS INDIRECTOS, IMPREVISTOS, ESPECIALES O CONSECUENTES; ENTRE ELLOS, LA PÉRDIDA DE INGRESOS RELACIONADOS DE CUALQUIER MANERA CON LOS PRODUCTOS, INDEPENDIENTEMENTE DE LA TEORÍA JURÍDICA QUE SE PUDIERA INVOCAR.</p>	<p align="center"><b>GARANTÍA GLOBAL DE PRODUCTO, COMPENSACIÓN LIMITADA Y LIMITACIÓN DE RESPONSABILIDAD</b></p> <p><b>GARANTÍA:</b> LAS SIGUIENTES DISPOSICIONES PREVALECEÁN SOBRE CUALQUIER GARANTÍA O CONDICIÓN, EXPRESA O IMPLÍCITA, INCLUIDAS LAS CONDICIONES O GARANTÍAS IMPLÍCITAS DE COMERCIABILIDAD O IDONEIDAD PARA UN FIN ESPECÍFICO.</p> <p>Salvo que la legislación local estipule lo contrario, los productos de protección contra caídas de 3M están garantizados contra defectos de fabricación de mano de obra y materiales durante un período de un año a partir de la fecha de instalación o del primer uso por parte del propietario original.</p> <p><b>COMPENSACIÓN LIMITADA:</b> Tras recibir comunicación por escrito, 3M reparará o sustituirá los productos que considere que tienen un defecto de fabricación de mano de obra o materiales. 3M se reserva el derecho a solicitar la devolución del producto a sus instalaciones para evaluar las reclamaciones de garantía. Esta garantía no cubre los daños en el producto resultantes de desgaste, mal uso, uso indebido, daños durante el tránsito, mantenimiento inapropiado del producto o daños que escapen al control de 3M. 3M será el único con derecho a determinar el estado del producto y las opciones de garantía.</p> <p>Esta garantía puede ser utilizada únicamente por el comprador original y es la única que cubre los productos de protección contra caídas de 3M. Si necesita ayuda, póngase en contacto con el departamento de servicios de atención al cliente de 3M.</p> <p><b>LIMITACIÓN DE RESPONSABILIDAD:</b> EN LA MEDIDA QUE LO PERMITA LA LEGISLACIÓN LOCAL, 3M NO SE RESPONSABILIZARÁ DE LOS DAÑOS INDIRECTOS, FORTUITOS, ESPECIALES O RESULTANTES, INCLUIDA LA PÉRDIDA DE GANANCIA, RELACIONADOS DE MANERA ALGUNA CON LOS PRODUCTOS, INDEPENDIENTEMENTE DE LOS FUNDAMENTOS LEGALES QUE SE ALEGUEN.</p>
<p align="center"><b>GLOBALNÍ ZÁRUKA NA VÝROBEK, OMEZENÉ OPRAVNÉ PROSTŘEDKY A OMEZENÍ ODPOVĚDNOSTI</b></p> <p><b>ZÁRUKA:</b> NÁSLEDUJÍCÍ ZÁRUKA NAHRADUJE VEŠKERÉ ZÁRUKY NEBO PODMÍNKY, AŽ JIŽ VÝSLOVNĚ NEBO IMPLICITNĚ, A TO VČETNĚ IMPLICITNÍCH ZÁRUK NEBO PODMÍNEK PRODEJNOSTI NEBO VHDNOSTI PRO DANÝ ÚČEL.</p> <p>Nestanoví-li místní zákony jinak, vztahuje se tato záruka na výrobky společnosti 3M pro ochranu proti pádu na tovarní vady ve zpracování a materiálech po dobu jednoho roku ode dne instalace nebo prvního použití původním majitelem.</p> <p><b>OMEZENÉ OPRAVNÉ PROSTŘEDKY:</b> Společnost 3M na základě písemného upozornění poslaného společností 3M opravně nebo nahradí jakýkoli výrobek, u něhož společnost 3M shledá tovarní vadu ve zpracování nebo materiálech. Společnost 3M si vyhrazuje právo požadovat, aby byl výrobek vrácen do jejího zařízení pro posouzení záručních reklamací. Tato záruka se netýká poškození výrobku z důvodu opotřebení, zneužití, nesprávného použití, poškození při přepravě, neprovádění údržby výrobku nebo jiných škod, které jsou mimo kontrolu společnosti 3M. Společnost 3M bude výhradním posuzovatelem stavu výrobku a možností záruky.</p> <p>Tato záruka se vztahuje pouze na původního kupujícího a jedná se o jedinou záruku, která se vztahuje na výrobky společnosti 3M pro ochranu proti pádu. Požtebuje-li pomoci, obraťte na oddělení zákaznických služeb společnosti 3M ve svém regionu.</p> <p><b>OMEZENÍ ZÁRUKY:</b> V ROZSAHU POVOLENÉM MÍSTNÍMI ZÁKONY NEODPOVÍDÁ SPOLEČNOST 3M ŽÁDNÝM ZPŮSOBEM ZA ŽÁDNÉ NEPRŮBĚ, NÁHODNÉ, ZVLÁŠTNÍ ČI NÁSLEDNÉ ŠKODY, A TO MIMO JINÉ VČETNĚ UŠLÉHO ZISKU, KTERÉ SE TYKÁJÍ VÝROBKŮ, BEZ OHLEDU NA UPLATNĚNÍ PRÁVNÍ VÝKLAD.</p>	<p align="center"><b>GLOBAL PRODUKTGARANTI, BEGRÆNSEDE RETSMIDLER OG BEGRÆNSNING AF GARANTIFORPLIGTELSE</b></p> <p><b>GARANTI:</b> FØLGENDE ERSTATTER ALLE GARANTIER ELLER BETINGELSER, UDRYKKELIGE ELLER UNDERFORSTÅEDE, HERUNDER DE UNDERFORSTÅEDE GARANTIER ELLER BETINGELSER FOR SALGBARHED ELLER EGNETHED TIL ET SPECIFIKT FORMÅL.</p> <p>Bortset fra hvad der sikres ved gældende love, er 3M's produkter til faldsikring omfattet af en garanti mod fabriksdefekter i den håndværksmæssige udførelse og materialer i en periode på et år fra installationsdatoen eller den første ejers brugtagningsdato.</p> <p><b>BEGRÆNSEDE RETSMIDLER:</b> Ved skriftlig henvendelse til 3M vil 3M reparere eller erstatte ethvert produkt, der af 3M vurderes at have en fabriksdefekt i den håndværksmæssige udførelse eller materialer. 3M forbeholder sig ret til at kræve produktet returneret til dets anlæg for at vurdere krav om garanti. Denne garanti dækker ikke skade på produktet slid, misbrug, forkert brug, transportskade, manglende vedligeholdelse af produktet eller anden skade uden for 3M's kontrol. 3M vil alene fastslå produktets tilstand og mulighederne for garanti.</p> <p>Denne garanti gælder kun for den oprindelige køber og er den eneste garanti gældende for 3M's produkter til faldsikring. Kontakt venligst 3M's kundeserviceafdeling i dit område for at få hjælp.</p> <p><b>BEGRÆNSNING AF GARANTIFORPLIGTELSE:</b> I DEN UDSTRÆKNING DET TILLADES AF LOKALE LOVE ER 3M IKKE ANSVARLIG FOR NOGEN INDIREKTE, TILFÆLDIGE, SPECIELLE ELLER PÅFØLGENDE SKADER, HERUNDER MEN IKKE BEGRÆNSET TIL TAB AF FORTJENESTE, DER PÅ NOGEN MÅDE ER RELATERET TIL PRODUKTERNE UANSET DEN UDLAGTE JURIDISKE TEORI.</p>
<p align="center"><b>GALEBALE PRODUKTGARANTIE, BESCHRÄNKTES RECHTSMITTEL UND HAFTUNGSBESCHRÄNKUNG</b></p> <p><b>GARANTIE:</b> FOLGENDES GILT STELLVERTREND FÜR ALLE GARANTIEEN ODER BEDINGUNGEN, EINSCHLIESSLICH STILLSCHWEIGEND ANGENOMMENER GARANTIEEN ODER BEDINGUNGEN HINSICHTLICH DER TAUGLICHKEIT ODER EIGNUNG FÜR EINEN BESTIMMTEN ZWECK.</p> <p>Soweit gesetzlich nicht anders vorgeschrieben, werden bei 3M-Produkten für die Absturzicherung werksseitige Mängel bei Verarbeitung und Material für einen Zeitraum von einem Jahr ab dem Datum der Installation oder der erstmaligen Benutzung durch den ursprünglichen Eigentümer garantiert.</p> <p><b>BESCHRÄNKTES RECHTSMITTEL:</b> Nach schriftlicher Mitteilung an 3M wird 3M jedes Produkt ersetzen oder austauschen, bei dem durch 3M ein werksseitiger Material- oder Verarbeitungsfehler festgestellt wird. 3M behält sich das Recht vor, die Rücksendung des Produkts an das Werk zur Beurteilung der Garantieansprüche zu verlangen. Unter dieser Garantie sind keine Schäden am Produkt gedeckt, die auf Verschleiß, Missbrauch, Transport Schäden, Versäumnis der Instandhaltung des Produkts oder sonstige außerhalb der Kontrolle von 3M liegende Schäden zurückzuführen sind. 3M trifft allein die Entscheidung über Produktzustand und Garantioptionen.</p> <p>Diese Garantie gilt ausschließlich für den ursprünglichen Käufer und ist die einzige, die für Absturzschutzprodukte von 3M maßgeblich ist. Kontaktieren Sie bitte die Kunden-Service-Abteilung, um Unterstützung zu erhalten.</p> <p><b>HAFTUNGSBESCHRÄNKUNG:</b> SOWEIT NACH GELTENDEM RECHT ZULÄSSIG, IST 3M NICHT HAFTBAR FÜR UNMITTLBARE, MITTELBARE, BESONDERE SCHÄDEN ODER FOLGESCHÄDEN JEDER ART, EINSCHLIESSLICH VON VERLUST VON GEWINN, DER IM ZUSAMMENHANG MIT DEN PRODUKTEN ENTSTEHT, UNGEACHTET DER ANGEFÜHRTEN RECHTSTHEORIE.</p>	<p align="center"><b>GLOBALAALI TUOTETAKUU, RAJATTU KORVAUS JA VASTUUNRAJOITUS</b></p> <p><b>TAKUU:</b> SEURAAVA ON LAADITTU KAIKKIEN SUORIEN TAI EPÄSUORIEN TAKUIDEN TAI EHTOJEN SIJAAN, MUKAAN LUKIEN EPÄSUORAT TAKUUT MYNTIKELPOISUUDESTA TAI SOPIVUUDESTA TIETTYYN TARKOITUKSEEN.</p> <p>Ellei muutoin paikallisissa laeissa säädetä, 3M-putoamisenestotuotteilla on yhden vuoden takuu valmistusvirheistä ja materiaalivirheistä koskien asennuspäivästä tai alkuperäisen käyttäjän ensimmäisestä käyttöpäivästä alkaen.</p> <p><b>RAJATTU KORVAUS:</b> Kirjallisella 3M:lle lähetetyllä ilmoituksella 3M korjaa tai vaihtaa kaikki tuotteet, joissa on 3M:n määrittelämä valmistus- tai materiaalivirhe. 3M pidättää oikeuden vaatia tuotetta palautettavaksi tehtaalta takuuvaihtumisen arvioimiseksi. Tämä takuu ei kata kulunmista, tuotteen väärinkäytöstä, kuljetusvahingoista tai tuotteen epäonnistuneesta huollosta aiheutunutta vauriota tai muuta vauriota, johon 3M ei pysty vaikuttamaan. Tuotteen kunnosta ja takuuvaihtoehdoista päätökseen tekee ainoastaan 3M.</p> <p>Tämä takuu koskee vain alkuperäistä ostajaa, ja sitä sovelletaan ainoastaan 3M:n putoamisenestotuotteisiin. Ota yhteyttä paikalliseen 3M:n asiakaspalveluun saadaksesi apua.</p> <p><b>VASTUUNRAJOITUS:</b> PAIKALLISTEN LAKIEN SALLIMISSA MÄÄRIN 3M EI OLE VASTUUSSA MISTÄÄN EPÄSUORASTA, SATTUMANVARAISESTA, ERTYISESTÄ TAI AIHEUTUNEESTA VAHINGOSTA, MUKAAN LUKIEN, MUTTA SIIHEN KUITENKAAN RAJOITUMATTA, TUOTTOJEN MENETTÄMINEN, MILLÄÄN TAVALLA TUOTTEISIIN LIITYEN OIKEUSTEORIASTA HUOLIMATTA.</p>

<p align="center"><b>ΠΑΓΚΟΣΜΙΑ ΕΓΓΥΗΣΗ ΠΡΟΪΟΝΤΟΣ, ΠΕΡΙΟΡΙΣΜΕΝΗ ΑΠΟΚΑΤΑΣΤΑΣΗ ΚΑΙ ΠΕΡΙΟΡΙΣΜΟΣ ΕΥΘΥΝΗΣ</b></p> <p><b>ΕΓΓΥΗΣΗ:</b> ΤΑ ΑΚΟΛΟΥΘΑ ΑΝΤΙΚΑΘΙΣΤΟΥΝ ΟΛΕΣ ΤΙΣ ΕΓΓΥΗΣΕΙΣ Η ΠΡΟΫΠΟΘΕΣΕΙΣ, ΡΗΤΕΣ Η ΣΙΩΠΗΡΕΣ, ΣΥΜΠΕΡΙΛΑΜΒΑΝΟΜΕΝΩΝ ΤΩΝ ΣΙΩΠΗΡΩΝ ΕΓΓΥΗΣΕΩΝ Η ΠΡΟΫΠΟΘΕΣΕΩΝ ΕΜΠΟΡΕΥΣΙΜΟΤΗΤΑΣ Η ΚΑΤΑΛΛΗΛΟΤΗΤΑΣ ΓΙΑ ΣΥΓΚΕΚΡΙΜΕΝΟ ΣΚΟΠΟ.</p> <p>Εκτός και αν ορίζεται διαφορετικά από την τοπική νομοθεσία, τα προϊόντα προστασίας από πτώση της 3M καλύπτονται από εγγύηση για τυχόν ελαττώματα λόγω κακοτεχνίας και υλικών για χρονική περίοδο ενός έτους από την ημερομηνία της εγκατάστασής ή της πρώτης χρήσης από τον πρώτο ιδιοκτήτη.</p> <p><b>ΠΕΡΙΟΡΙΣΜΕΝΗ ΑΠΟΚΑΤΑΣΤΑΣΗ:</b> Κατόπιν γραπτής ειδοποίησης στην 3M, η 3M θα επιδιορθώσει ή θα αντικαταστήσει οποιοδήποτε προϊόν κλήθηκε από την 3M ότι παρουσιάζει εργοστασιακό ελάττωμα λόγω κακοτεχνίας ή υλικών. Η 3M διατηρεί το δικαίωμα να απαιτήσει την επιστροφή του προϊόντος στις εγκαταστάσεις της για αξιολόγηση των αξιώσεων εγγύησης. Αυτή η εγγύηση δεν καλύπτει βλάβες προϊόντων λόγω φθοράς, κατάχρησης, κακής χρήσης, ζημίας κατά τη μεταφορά, αποτυχίας συντήρησης του προϊόντος ή άλλης βλάβης πέραν του ελέγχου της 3M. Η 3M θα αποτελέσει τον μοναδικό κριτή της κατάστασης του προϊόντος και των επιλογών εγγύησης.</p> <p>Αυτή η εγγύηση ισχύει μόνο για τον αρχικό αγοραστή και είναι η μόνη εγγύηση που ισχύει για τα προϊόντα προστασίας από πτώση της 3M. Παρακαλούμε επικοινωνήστε με το τμήμα εξυπηρέτησης πελατών της 3M της περιοχής σας για βοήθεια.</p> <p><b>ΠΕΡΙΟΡΙΣΜΟΣ ΤΗΣ ΕΥΘΥΝΗΣ:</b> ΣΤΟΝ ΒΑΘΜΟ ΠΟΥ ΕΠΙΤΡΕΠΕΤΑΙ ΑΠΟ ΤΗΝ ΤΟΠΙΚΗ ΝΟΜΟΘΕΣΙΑ, Η 3M ΔΕΝ ΕΙΝΑΙ ΥΠΕΥΘΥΝΗ ΓΙΑ ΤΥΧΟΝ ΕΜΜΕΣΕΣ, ΑΠΡΟΒΛΕΠΤΕΣ, ΕΙΔΙΚΕΣ Η ΕΠΑΚΟΛΟΥΘΕΣ ΖΗΜΙΕΣ ΠΟΥ ΠΕΡΙΛΑΜΒΑΝΟΥΝ, ΑΛΛΑ ΔΕΝ ΠΕΡΙΟΡΙΖΟΝΤΑΙ ΣΕ ΑΠΛΑΙΑ ΚΕΡΑΩΝ ΠΟΥ ΣΧΗΤΙΖΕΤΑΙ ΜΕ ΟΠΟΙΟΝΔΗΠΟΤΕ ΤΡΟΠΟ ΜΕ ΤΑ ΠΡΟΪΟΝΤΑ ΑΣΧΕΤΩΣ ΤΗΣ ΝΟΜΙΚΗΣ ΘΕΣΡΙΑΣ ΠΟΥ ΠΡΟΒΑΛΛΕΤΑΙ.</p>	<p align="center"><b>GARANZIA GLOBALE SUL PRODOTTO, RIMEDIO LIMITATO E LIMITAZIONE DI RESPONSABILITÀ</b></p> <p><b>GARANZIA:</b> LA SEGUENTE GARANZIA SOSTITUISCE TUTTE LE GARANZIE O CONDIZIONI, ESPRESSE O IMPLICITE, COMPRESSE LE GARANZIE O CONDIZIONI IMPLICITE DI COMMERCIALIZZABILITÀ O IDONEITÀ PER UN PARTICOLARE SCOPO.</p> <p>Salvo ove diversamente specificato dalle leggi locali, i prodotti di protezione anticaduta 3M sono garantiti da difetti di fabbricazione e dei materiali per un periodo di un anno dalla data di installazione o di primo utilizzo da parte del proprietario originale.</p> <p><b>RIMEDIO LIMITATO:</b> previa comunicazione scritta a 3M, 3M riparerà o sostituirà qualsiasi prodotto in cui 3M avrà individuato un difetto di fabbricazione o dei materiali. 3M si riserva il diritto di richiedere la restituzione del prodotto all'impianto per la valutazione della richiesta di risarcimento in garanzia. La presente garanzia non copre i danni al prodotto causati da usura, abuso, utilizzo errato, trasporto o mancata manutenzione del prodotto o altri danni avvenuti fuori dal controllo di 3M. 3M è la sola che potrà giudicare le condizioni del prodotto e le opzioni di garanzia.</p> <p>La presente garanzia è valida solo per l'acquirente originale ed è l'unica applicabile ai prodotti di protezione anticaduta 3M. Per assistenza, contattare il Servizio Clienti di 3M della propria area.</p> <p><b>LIMITAZIONE DI RESPONSABILITÀ:</b> NELLA MISURA CONSENTITA DALLE LEGGI LOCALI, 3M NON RISPONDE DI EVENTUALI DANNI INDIRETTI, INCIDENTALI, SPECIALI O CONSEGUENZIALI COMPRESI, SENZA LIMITAZIONE, DANNI PER PERDITA DI PROFITTO, IN QUALSIASI MODO COLLEGATI AI PRODOTTI INDIPENDENTEMENTE DALLA TEORIA LEGALE ASSERTITA.</p>
<p align="center"><b>WERELDWIJDE PRODUCTGARANTIE, BEPERKTE VERHAALSMOGELIJKHEID EN BEPERKING VAN AANSPRAKELIJKHEID</b></p> <p><b>GARANTIE:</b> DE VOLGENDE BEPALING VERVANGT ALLE GARANTIES OF VOORWAARDEN, EXPLICIET OF IMPLICIET, INCLUSIEF DE IMPLICIETE GARANTIES OF VOORWAARDEN VAN VERKOOPBAARHEID OF GESCHIKTHEID VOOR EEN BEPAALD DOEL.</p> <p>Tenzij anders is bepaald door lokale wetgeving, zijn valbeschermingsproducten van 3M voorzien van een garantie op fabrieksfouten door fabricage- en materiaalgebreken gedurende een periode van één jaar na de datum van installatie of het eerste gebruik door de oorspronkelijke eigenaar.</p> <p><b>BEPERKTE VERHAALSMOGELIJKHEID:</b> Na schriftelijke kennisgeving aan 3M zal 3M eender welk product repareren of vervangen waarvan 3M heeft vastgesteld dat het een fabrieksfout heeft door een fabricage- of materiaalgebrek. 3M behoudt zich het recht voor om te eisen dat het product naar zijn vestiging wordt geretourneerd om garantieaanspraken te beoordelen. Deze garantie is niet van toepassing op productschade door slijtage, oneigenlijk gebruik, misbruik, transportschade, nalatigheid bij onderhoud van het product of andere schade waarover 3M geen controle heeft. 3M zal als enige oordelen over de toestand van het product en garantieopties.</p> <p>Deze garantie is alleen van toepassing op de oorspronkelijke koper en is de enige garantie die van toepassing is op valbeschermingsproducten van 3M. Neem contact op met de klantendienst van 3M voor uw regio als u assistentie wenst.</p> <p><b>BEPERKING VAN AANSPRAKELIJKHEID:</b> VOOR ZOVER TOEGESTAAN DOOR LOKALE WETGEVING, IS 3M NIET AANSPRAKELIJK VOOR ENIGE INDIRECTE, INCIDENTELE, SPECIALE OF GEVOLGSCHADE, INCLUSIEF, MAAR NIET BEPERKT TOT, WINSTVERLIES, DIE OP ENIGE WIJZE VERBAND HOUDT MET DE PRODUCTEN, ONGEACHT DE RECHTSLEER DIE WORDT AANGEHAALD.</p>	<p align="center"><b>GLOBAL PRODUKTGARANTI, BEGRENSET AVHJELP OG BEGRENSSNING AV ERSTATNINGANSVAR</b></p> <p><b>GARANTI:</b> DET FØLGENDE KOMMER I STEDET FOR ALLE GARANTIER ELLER VILKÅR, UTTRYKKELIGE ELLER UNDERFORSTÅTTE, INKLUDERT DE UNDERFORSTÅTTE GARANTIENE ELLER VILKÅRENE OM SALGBARHET ELLER EGNETHET FOR ET BESTEMT FORMÅL.</p> <p>Med mindre annet er bestemt av lokale lover, er 3Ms fallsikringsprodukter garantert mot fabrikasjonsfeil i håndverksmessig utførelse og materialer for en periode på ett år fra installasjonsdatoen eller første bruk av den opprinnelige eieren.</p> <p><b>BEGRENSET AVHJELP:</b> Ved skriftlig melding til 3M, vil 3M reparere eller erstatte ethvert produkt som av 3M fastslås å ha en fabrikasjonsfeil i håndverksmessig utførelse eller materialer. 3M forbeholder seg retten til å kreve at produktet blir levert tilbake til fabrikken for evaluering av garantikrav. Denne garantien dekker ikke produktskade grunnet slitasje, misbruk, skade i transit, unnlatelse av å vedlikeholde produktet eller annen skade utenfor 3Ms kontroll. 3M vil være den eneste til å bedømme produktvilkår og garantialternativer.</p> <p>Denne garantien gjelder kun den opprinnelige kjøperen og er den eneste garantien som er anvendelig for 3Ms fallsikringsprodukter. Vennligst kontakt 3Ms kundeserviceavdeling i ditt område for hjelp.</p> <p><b>BEGRENSSNING AV ERSTATNINGANSVAR:</b> I DEN UTSTREKNING DET ER TILLATT AV LOKALE LOVER, ER IKKE 3M ERSTATNINGANSVARLIG FOR NOEN SOM HELST INDIREKTE, HENDELIGE, SPESIELLE ELLER FØLGEMESSIGE SKADER INKLUDERT, MEN IKKE BEGRENSET TIL TAP AV FORTJENESTE, PÅ NOEN SOM HELST MÅTE FORBUNDET MED PRODUKTENE, UAVHENGIG AV HVILKEN JURIDISK TEORI SOM PÅBEROPES.</p>
<p align="center"><b>GARANTIA GLOBAL DO PRODUTO, REPARAÇÃO LIMITADA E LIMITAÇÃO DE RESPONSABILIDADE</b></p> <p><b>GARANTIA:</b> A SEGUINTE É FEITA EM LUGAR DE TODAS AS GARANTIAS OU CONDIÇÕES, EXPRESSAS OU IMPLÍCITAS, INCLUINDO AS GARANTIAS OU CONDIÇÕES DE COMERCIALIZAÇÃO OU ADEQUAÇÃO A UM DETERMINADO FIM.</p> <p>Salvo disposição em contrário pelas leis locais, os produtos de proteção contra quedas da 3M têm garantia contra defeitos de fábrica, quer no fabrico, quer nos materiais, por um período de um ano, a partir da data de instalação ou da primeira utilização pelo proprietário original.</p> <p><b>REPARAÇÃO LIMITADA:</b> Após a notificação por escrito à 3M, a 3M irá reparar ou substituir qualquer produto que a 3M determinar ter um defeito de fábrica no fabrico ou nos materiais. A 3M reserva-se o direito de exigir que o produto seja devolvido às suas instalações para avaliação das solicitações de garantia. Esta garantia não cobre danos ao produto devidos ao desgaste, abuso, mau uso, danos durante o transporte, falha na manutenção do produto ou outros danos fora do controlo da 3M. A 3M será o único juiz da condição do produto e opções de garantia.</p> <p>Esta garantia aplica-se somente ao comprador original e é a única garantia aplicável aos produtos de proteção contra quedas da 3M. Entre em contacto com o departamento de atendimento ao cliente da 3M na sua área para obter assistência.</p> <p><b>LIMITAÇÃO DE RESPONSABILIDADE:</b> NA MEDIDA DO PERMITIDO PELAS LEIS LOCAIS, A 3M NÃO SE RESPONSABILIZA POR QUAISQUER DANOS INDIRETOS, INCIDENTAIS, ESPECIAIS OU CONSEQUENTES, INCLUINDO, MAS NÃO SE LIMITANDO À PERDA DE LUCROS DE ALGUMA FORMA RELACIONADA COM OS PRODUTOS, INDEPENDENTEMENTE DA BASE LEGAL INVOCADA.</p>	<p align="center"><b>GLOBAL PRODUKTGARANTI, BEGRÄNSAD KOMPENSATION OCH BEGRÄNSAD ANSVARSSKYLDIGHET</b></p> <p><b>GARANTI:</b> FÖLJANDE GÄLLER SOM ERSÄTTNING FÖR ALLA GARANTIER ELLER VILLKOR, UTTRYCKLIGA ELLER UNDERFÖRSTÅDDA, INKLUSIVE UNDERFÖRSTÅDDA GARANTIER ELLER VILLKOR FÖR SÄLJBARHET ELLER LÄMPLIGHET FÖR ETT VISST ÄNDAMÅL.</p> <p>Såvida inte annat stipuleras i lokala lagar, garanteras 3M:s fallskyddsprodukter mot fabriktionsfel avseende tillverkning och material under en period av ett år från datum för ursprunglig ägares installation eller första användning.</p> <p><b>BEGRÄNSAD KOMPENSATION:</b> Efter skriftlig avisering till 3M, kommer 3M att reparera eller byta ut varje produkt, som av 3M fastställts vara behäftad med fabriktionsfel vad gäller tillverkning eller material. 3M förbehåller sig rätten att kräva att produkt returneras till företagets anläggning för utvärdering av garantianspråk. Denna garanti omfattar inte produktskada till följd av slitage, felaktig användning, missbruk, skada under transport, underlåtenhet att sköta produkten eller annan skada utom 3M:s kontroll. 3M är ensam bedömare av produktskick och garantialternativ.</p> <p>Denne garanti avser enbart den ursprunglige köparen och är den enda garanti som gäller för 3M:s fallskyddsprodukter. Kontakta 3M:s kundtjänstafdeling i din region for assistans.</p> <p><b>BEGRÄNSNING AV ANSVARSSKYLDIGHET:</b> I DEN OMFATTNING SOM TILLÅTS AV LOKALA LAGAR, ANSVARAR 3M INTE FÖR NÅGRA INDIREKTA, OFÖRUTSEDDA, SPECIELLA ELLER FÖLJDSKADOR, INKLUSIVE MEN INTE BEGRÄNSAT TILL FÖRLUST AV VINSTER, VILKA PÅ NÅGOT SÄTT HÄNFÖRTS TILL PRODUKTERNA, OAVSETT HÄVDAD RÄTTSLIG GRUND.</p>

## GLOBAL PRODUCT WARRANTY, LIMITED REMEDY AND LIMITATION OF LIABILITY

**WARRANTY:** THE FOLLOWING IS MADE IN LIEU OF ALL WARRANTIES OR CONDITIONS, EXPRESS OR IMPLIED, INCLUDING THE IMPLIED WARRANTIES OR CONDITIONS OF MERCHANTABILITY OR FITNESS FOR A PARTICULAR PURPOSE.

Unless otherwise provided by local laws, 3M fall protection products are warranted against factory defects in workmanship and materials for a period of one year from the date of installation or first use by the original owner.

**LIMITED REMEDY:** Upon written notice to 3M, 3M will repair or replace any product determined by 3M to have a factory defect in workmanship or materials. 3M reserves the right to require product be returned to its facility for evaluation of warranty claims. This warranty does not cover product damage due to wear, abuse, misuse, damage in transit, failure to maintain the product or other damage beyond 3M's control. 3M will be the sole judge of product condition and warranty options.

This warranty applies only to the original purchaser and is the only warranty applicable to 3M's fall protection products. Please contact 3M's customer service department in your region for assistance.

**LIMITATION OF LIABILITY:** TO THE EXTENT PERMITTED BY LOCAL LAWS, 3M IS NOT LIABLE FOR ANY INDIRECT, INCIDENTAL, SPECIAL OR CONSEQUENTIAL DAMAGES INCLUDING, BUT NOT LIMITED TO LOSS OF PROFITS, IN ANY WAY RELATED TO THE PRODUCTS REGARDLESS OF THE LEGAL THEORY ASSERTED.

# 3M



## Fall Protection

### USA

3833 SALA Way  
Red Wing, MN 55066-5005  
Toll Free: 800.328.6146  
Phone: 651.388.8282  
Fax: 651.388.5065  
3Mfallprotection@mmm.com

### Brazil

Rua Anne Frank, 2621  
Boqueirão Curitiba PR  
81650-020  
Brazil  
Phone: 0800-942-2300  
falecoma3m@mmm.com

### Mexico

Calle Norte 35, 895-E  
Col. Industrial Vallejo  
C.P. 02300 Azcapotzalco  
Mexico D.F.  
Phone: (55) 57194820  
3msaludocupacional@mmm.com

### Colombia

Compañía Latinoamericana de Seguridad S.A.S.  
Carrera 106 #15-25 Interior 105 Manzana 15  
Zona Franca - Bogotá, Colombia  
Phone: 57 1 6014777  
fallprotection-co@mmm.com

### Canada

260 Export Boulevard  
Mississauga, ON L5S 1Y9  
Phone: 905.795.9333  
Toll-Free: 800.387.7484  
Fax: 888.387.7484  
3Mfallprotection-ca@mmm.com

### EMEA (Europe, Middle East, Africa)

*EMEA Headquarters:*  
Le Broc Center  
Z.I. 1re Avenue - BP15  
06511 Carros Le Broc Cedex  
France  
Phone: + 33 04 97 10 00 10  
Fax: + 33 04 93 08 79 70  
informationfallprotection@mmm.com

### Australia & New Zealand

95 Derby Street  
Silverwater  
Sydney NSW 2128  
Australia  
Phone: +(61) 2 8753 7600  
Toll-Free : 1800 245 002 (AUS)  
Toll-Free : 0800 212 505 (NZ)  
Fax: +(61) 2 8753 7603  
anzfallprotectionsales@mmm.com

### Asia

*Singapore:*  
1 Yishun Avenue 7  
Singapore 768923  
Phone: +65-6450 8888  
Fax: +65-6552 2113  
TotalFallProtection@mmm.com

### Shanghai:

19/F, L'Avenue, No.99 Xian Xia Rd  
Shanghai 200051, P R China  
Phone: +86 21 62539050  
Fax: +86 21 62539060  
3MFallProtection-CN@mmm.com

### Korea:

3M Korea Ltd  
20F, 82, Uisadang-daero,  
Yeongdeungpo-gu, Seoul  
Phone: +82-80-033-4114  
Fax: +82-2-3771-4271  
TotalFallProtection@mmm.com

### Japan:

3M Japan Ltd  
6-7-29, Kitashinagawa, Shinagawa-ku, Tokyo  
Phone: +81-570-011-321  
Fax: +81-3-6409-5818  
psd.jp@mmm.com

WEBSITE:  
[3M.com/FallProtection](http://3M.com/FallProtection)



EU DECLARATION OF CONFORMITY:  
[3M.com/FallProtection/DOC](http://3M.com/FallProtection/DOC)