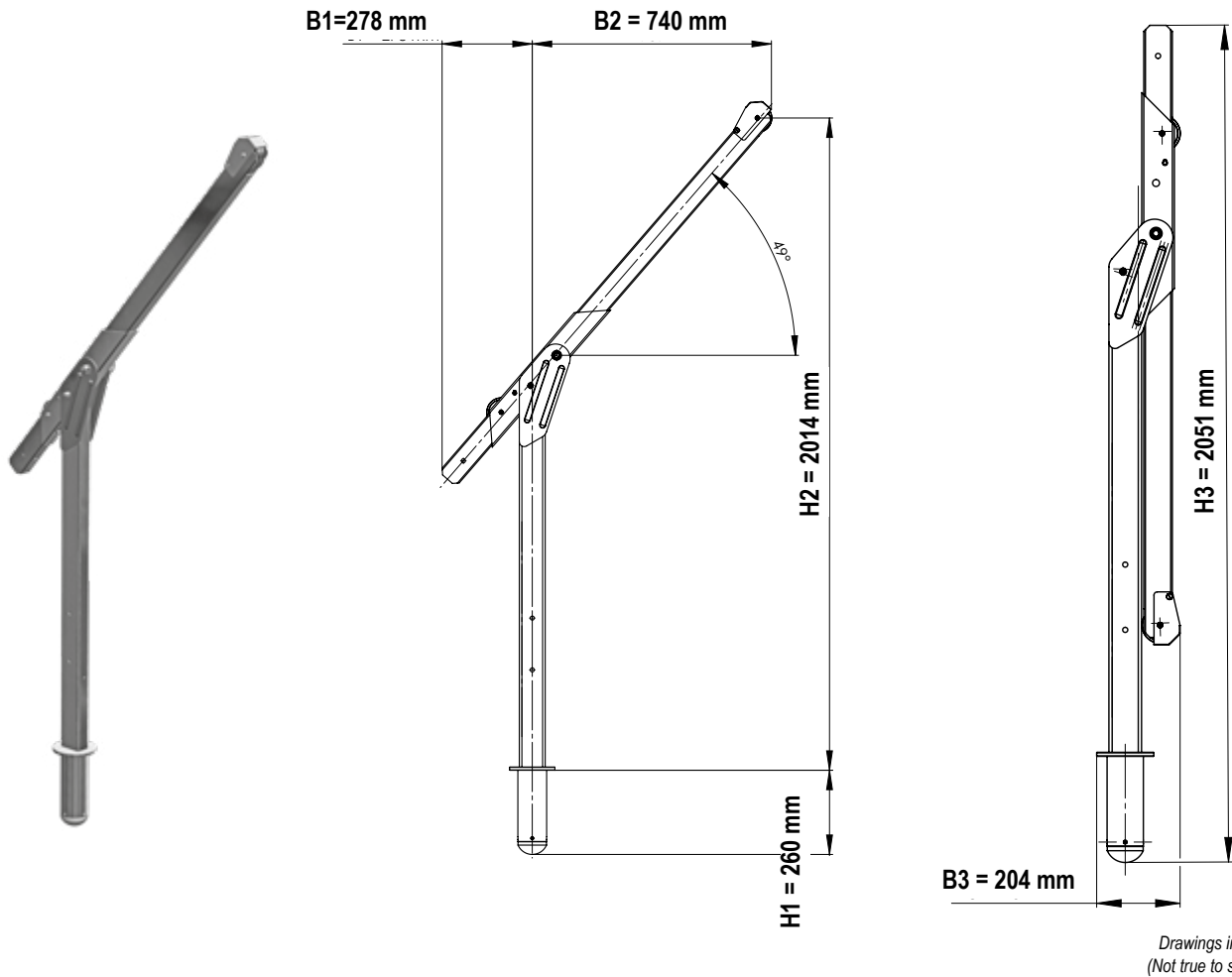


Cantilever Arm ASS-1

Certified as an anchorage device for PPE in accordance with EN 795:2012 Typ B und CEN/TS 16415:2017



Order No.:	Width (B 1)	Width (B 2)	Width (B 3)	Height (H1)	Height (H2)	Height (H3)	Weight
41-71	278 mm	740 mm	204 mm	260 mm	2014mm	2051 mm	36 kg
41-PLW-DA	OPTIONAL: PLW Person and load winch nominal load 300 kg						
41-IKLW 300	OPTIONAL: Manual Load Winch IKLW 300 for loads up to 300 kg with a maximum rope length of 20 m						
	OPTIONAL: Variable fastenings via ground and wall sleeve						
	OPTIONAL: HRA High safety device with rescue hoisting facility						

Features:

- V4A stainless steel design
- Removable extension arm
- Suitable for fast relocation
- Stable thanks to solid construction, high quality
- Can be used with HRA rescue devices (Typ HRA)
- **OPTIONAL:** PLW Person and load winch nominal load 300 kg
- **OPTIONAL:** Manual Load Winch IKLW 300 for loads up to 300 kg with a maximum rope length of 20 m
- **OPTIONAL:** Variable fastenings via ground and wall sleeve
- **OPTIONAL:** HRA High safety device with rescue hoisting facility

The assembly instructions for the boom arms must be observed.