

# SPECIFICATION SHEET



## Core mount davit base

CODE: BFMDB03SS

### SPECIFICATION

This equipment is considered as part of a personal fall arrest system (PFAS) with a maximum capacity of 2 users at 140 kg (310lb) each when used with an approved BTS device..

It can also be used (not concurrently) for materials handling with a maximum working capacity dependent to specific davit used.

### MATERIAL AND CONSTRUCTION

Outer sleeve: 316 Stainless Steel

Sleeve bearing: PVC Pipe.

### WEIGHT

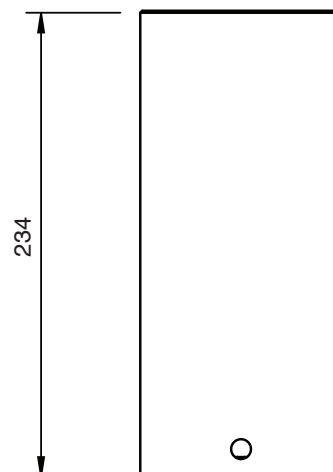
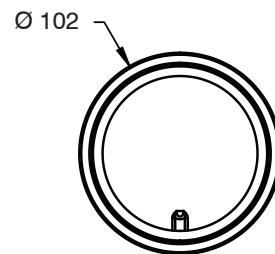
(est.) 4.1 kg

### RESTRICTIONS

- This davit base is designed to be used in combination with other equipment from the BTS range and/or any other equipment from other manufacturers that the installer has received approval in writing from BTS.
- Davit base must be installed by qualified and experienced personnel.
- The installer must follow the manufacturers recommendations at all times.
- Periodic inspections of equipment must be done.
- In the occurrence of a fall or if the safety of the equipment is in doubt, equipment must be removed immediately from service and inspected by qualified and/or competent personnel.
- This equipment must always be operated in a level position.



TO SUIT Ø76.2mm (3")  
DAVIT MAST



# SPECIFICATION SHEET



## Core mount davit base

### INSTALLATION

CODE: BFMDB03SS

#### RECOMMENDATIONS:

Recommendation based on good condition uncracked concrete 32mPa or better.

Slab thickness: 300mm MIN.

Moment capacity: 21,600 N.m

Vertical load: 22,200 N

Note: It is the responsibility of the installer to assure installation compliance.

Adhesive: PARCHEM CONBEXTRA EP10 or equivalent

This recommendation is based on the given loads and concrete specifications, It is the responsibility of the field engineer to assure the installation and the capacity of the underlying concrete structure.

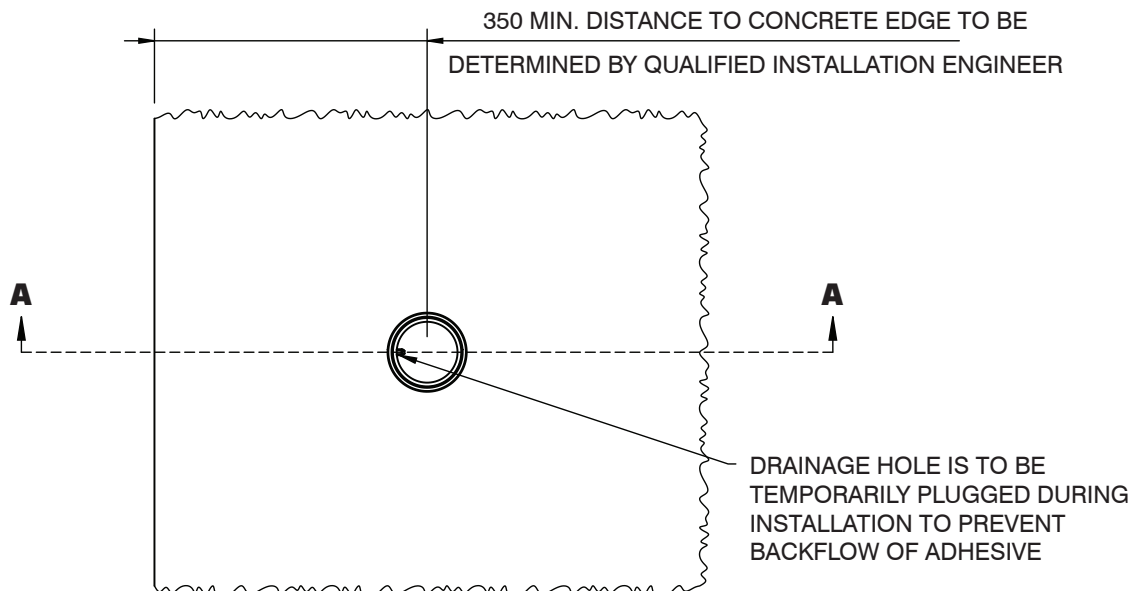
Suitable for:

PRO-2G - 50015

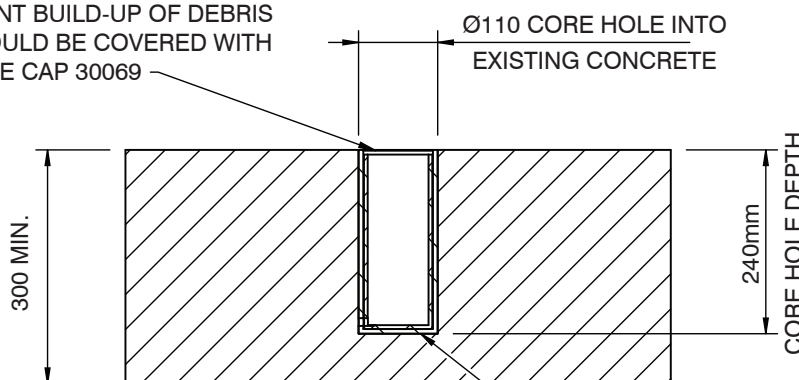
PRO-3G - 30106

PRO-4 - 50048

PRO-6G - 50506



TO PREVENT BUILD-UP OF DEBRIS HOLE SHOULD BE COVERED WITH DAVIT BASE CAP 30069



ENSURE THAT DAVIT BASE IS INSTALLED VERTICALLY ( $\pm 0.5^\circ$ ) PRIOR TO ADHESIVE SETTING

#### SECTION A-A

HOLE TO BE FILLED WITH PARCHEM CONBEXTRA EP10 OR APPROVED EQUIVALENT