

Nursing Bench - Adjustable Height

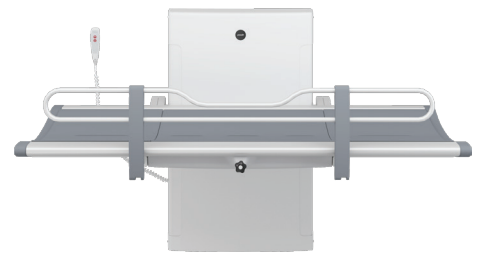
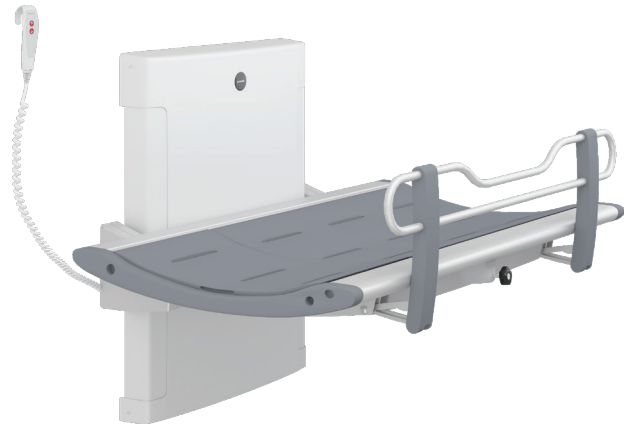
EP-R8572318021

A comfortable nursing bench for use in both wet and dry areas. The polyurethane foam top and in built water collection tray help minimise splashing water and spillage on the floor. The remote controlled height adjustment enhances safety for both the user and their carer.

The nursing bench is perfect for aquatic centres, hospitals, nursing homes, retirement villages and schools

FEATURES

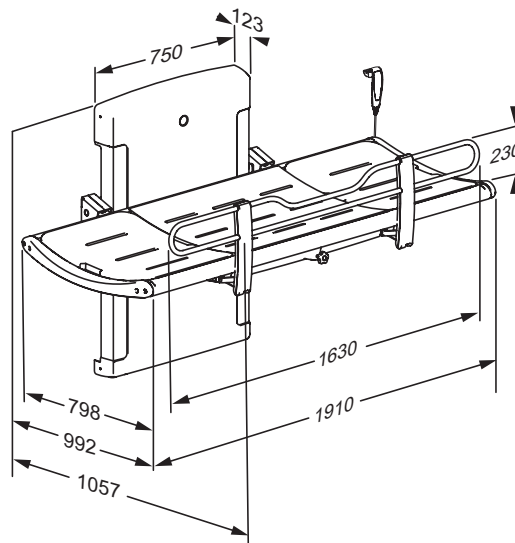
- Remote controlled, low voltage (24V) for safe operation in a wet area
- 700mm of height adjustability (300-1000mm)
- No cold surfaces - covered with polyurethane foam
- Curved for added comfort and safety
- Manually adjustable back support
- Water collection tray with integral outlet prevents splashing on carer
- Integrated gas cylinder enables bench to be easily folded against the wall to maximise floor space
- Weight loading capacity 200kg
- Fixed height option available
- Includes safety rail
- IP Rating: Actuator - IPX6, Control Box - IPX6, Hand Control - IPX6



Product Codes

EP-R8572318021

1800mm Nursing Bench



Version: Mar 20

Call 1300 369 273

www.enware.com

Enware Australia Pty Limited

9 Endeavour Rd Caringbah NSW 2229 Australia

Ph: 02 8536 4000 Fax: 02 8556 4055

The ENWARE logo, featuring a stylized blue wave icon to the left of the word "ENWARE" in a bold, blue, sans-serif font.